



DOOR HANDLES, KNOBS

DOOR HANDLES
LEVER HANDLES
SLIDING DOOR HANDLES
GLASS DOOR KNOBS



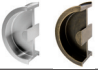










DOOR HANDLES (Back to Back)

Picture	Item No.	Center to Center	Page
	ZL-1501	12-19/32"~75-19/32"	4~5
	ZL-1502	7-9/16"~37-51/64"	6~7
	ZL-1506	7-9/16"~37-13/16"	8~9
	DSI-2000-20	7-7/8"~19-11/16"	11
	DSI-2000-30	9-7/8"~23-5/8"	11
	DSI-3310-15	5-29/32"~11-13/16"	12
	DSI-3310-20	7-7/8" ~ 11-13/16"	12
	DSI-3310-30	9-27/32"~23-5/8"	12
	DSI-3330-30	11-13/16"	12
	DSI-3330-50	19-11/16"	12
	DSI-4400-15	5-29/32"~11-13/16"	13
	DSI-4400-20	7-7/8"~11-13/16"	13
	DSI-4400-30	9-27/32"~23-5/8"	13
	DSI-1630	9-7/8"~23-5/8"	13

DOOR HANDLES (Back Screw Mount / Front Screw Mount)

Picture	Item No.	Center to Center	Page
	TBH-400	4-21/64"	14
	TBH-600	4-21/64"	14
	SBH-400	12-13/64"	14
	SBH-600	20-5/64"	14
	SBH-800	27-61/64"	14
	MDH	7-9/16"~47-1/4"	15
	MP (FRONT SCREW MOUNT)	18-17/64"~37-61/64"	16
	RH-760 (BACK SCREW MOUNT)	29-59/64"	16
	SSH (BACK SCREW MOUNT)	12-7/16"~28-3/16"	17
	SOR (BACK SCREW MOUNT)	13-3/16"~27-61/64"	17




SLIDING DOOR HANDLES/PULLS

Picture	Item No.		Page
	DSI-4251	STAINLESS 304 STEEL	18
	DSI-4253	STAINLESS 304 STEEL	19
	DSI-3250	BRASS STAINLESS 304 STEEL	19
	DSI-4275	STAINLESS 304 STEEL	19.1
	DSI-4258	STAINLESS 304 STEEL	19.1
	DSI-4501	STAINLESS 304 STEEL	19.2
	DSI-4502	STAINLESS 304 STEEL	19.2
	DSI-4503	STAINLESS 304 STEEL	19.3
	DSI-4504	STAINLESS 304 STEEL	19.3
	DSI-3010	STAINLESS 304 STEEL	20
	DSI-3020	STAINLESS 304 STEEL	21
	DSI-4020	STAINLESS 304 STEEL	21
	DSI-4040	STAINLESS 304 STEEL	21













ZL-1506

GLASS DOOR KNOBS AND PULLS (Back to Back)

Picture	Item No.		Page
	ZL-1503	RoHS STAINLESS 316 STEEL	22
	ZL-1504	RoHS STAINLESS 316 STEEL	23
	ZL-1505	RoHS STAINLESS 316 STEEL	23

LEVER HANDLES AND ACCESSORIES

Picture	Item No.		Page
	ZL-1101	STAINLESS 316 STEEL	24
	ZL-1102	STAINLESS 316 STEEL	24
	ZL-1103	STAINLESS 316 STEEL	25
	ZL-1601 (GLASS DOOR LATCH)	STAINLESS 316 STEEL	25
	ZL-1202 (ESCUTCHEON)	STAINLESS 316 STEEL	26
	ZL-1301-INR (INDICATOR)	STAINLESS 316 STEEL	26
	ZL-1302 (INDICATOR)	STAINLESS 316 STEEL	26
	ZL-1401-SMR (THUMBTURN)	STAINLESS 316 STEEL	27
	ZL-1402 (THUMBTURN)	STAINLESS 316 STEEL	27
	ZL-1403 (THUMBTURN KNOB)	STAINLESS 316 STEEL	27

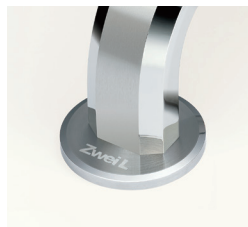
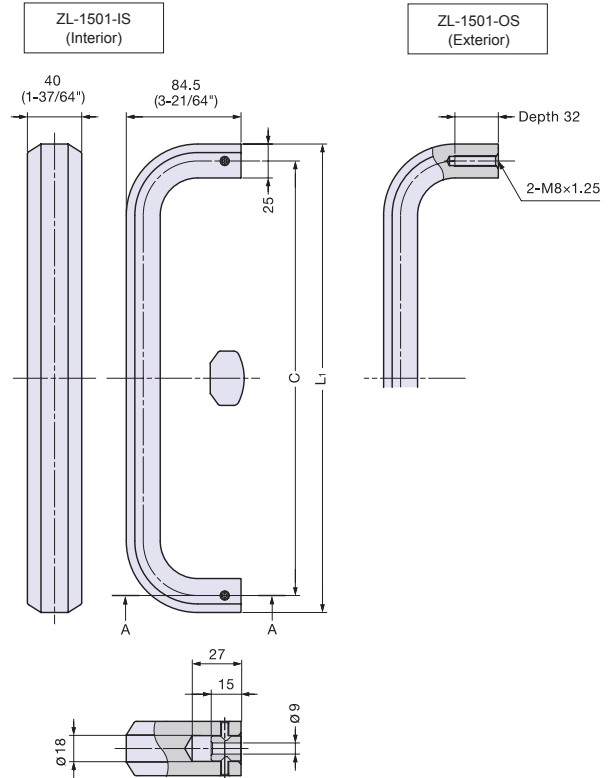


DSI-4251

DSI-4020

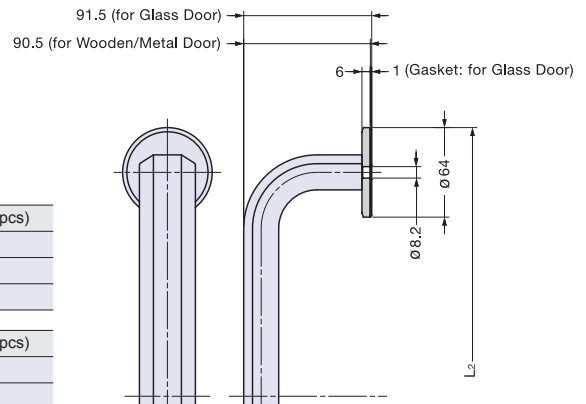


- Can be installed on Glass Door, Wooden or Metal Frame Door.
- Tolerance of screw pitch is ± 1 mm.
- Only ZL-1501-WR comes with base (ZL1501-R).
- Order base ZL1501-R separately if baseplate needed for Exterior or Interior type.



ZL-1501-WR

ZL-1501-WR (With Base)



Item No.	Weight (g)	Box (pcs)	Item No.	Weight (g)	Box (pcs)
ZL-1501-IS-320	3103	1	ZL-1501-OS-320	3103	1
ZL-1501-IS-640	5500	1	ZL-1501-OS-640	5500	1
ZL-1501-IS-960	8000	1	ZL-1501-OS-960	8000	1

Item No.	Weight (g)	Box (pcs)	Item No.	Weight (g)	Box (pcs)
ZL-1501-WN-320	6471	1	ZL-1501-WR-320	6783	1
ZL-1501-WN-640	11265	1	ZL-1501-WR-640	11577	1
ZL-1501-WN-960	16265	1	ZL-1501-WR-960	16577	1

Item No.				Material	Finish/Color	Dimensions		
Exterior	Interior	Back-to-Back	Back-to-Back with Base			C	L ₁	L ₂
ZL-1501-OS-320	ZL-1501-IS-320	ZL-1501-WN-320	ZL-1501-WR-320	316 Stainless Steel	Zwei L	320 (12-19/32")	345 (13-37/64")	384
ZL-1501-OS-640	ZL-1501-IS-640	ZL-1501-WN-640	ZL-1501-WR-640			640 (25-13/64")	665 (26-3/16")	704
ZL-1501-OS-960	ZL-1501-IS-960	ZL-1501-WN-960	ZL-1501-WR-960			960 (37-51/64")	985 (38-25/32")	1024
*ZL-1501-OS-1280	*ZL-1501-IS-1280	*ZL-1501-WN-1280	*ZL-1501-WR-1280			1280 (50-25/64")	1305 (51-3/8")	1344
*ZL-1501-OS-1600	*ZL-1501-IS-1600	*ZL-1501-WN-1600	*ZL-1501-WR-1600			1600 (62-63/64")	1625 (63-31/32")	1664
*ZL-1501-OS-1920	*ZL-1501-IS-1920	*ZL-1501-WN-1920	*ZL-1501-WR-1920			1920 (75-19/32")	1945 (76-37/64")	1984

*Length over 960 are special order item.

Working Diagram		Door Thickness (mm)	Door Hole (mm)	Item No.	
Back-to-Back on Glass Door	With Base Plate		6~16 (15/64"~5/8")	ø 16 (5/8")	ZL-1501-WR
	Without Base Plate		25~45 (63/64"~1-49/64")	ø 9 (23/64")	ZL-1501-WR
Back-to-Back on Wooden/Metal Frame Door	With Base Plate		37~57 (1-29/64"~2-1/4")	ø 9 (23/64")	ZL-1501-WN
	Without Base Plate				
Single use on Wooden/Metal Frame Door	With Base Plate		Screws not included Base Plate (ZL-1501-R) sold separately	ø 9 (23/64")	ZL-1501-OS ZL-1501-R
				-	ZL-1501-IS ZL-1501-R
	Without Base Plate			ø 9 (23/64")	ZL-1501-OS
				-	ZL-1501-IS

*If door thickness exceeds recommended thickness, a longer bolt (not supplied) should be used.

Zwei L Door Handle

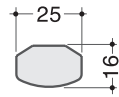
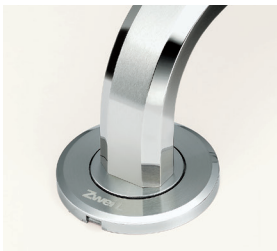
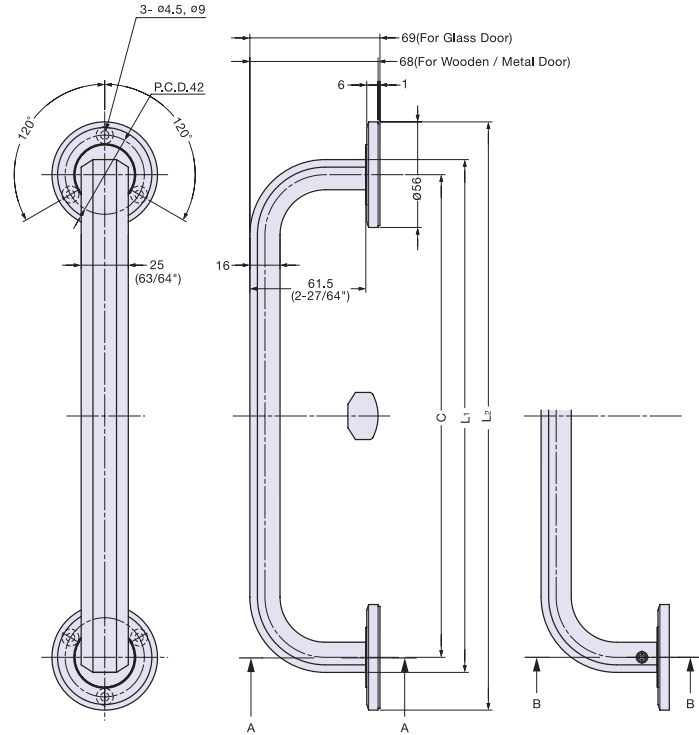


ZL-1502

HANDLES

Zwei L DOOR HANDLES

- Can be installed on Glass Door, Wooden or Metal Frame Door.
- Tolerance of screw pitch is ± 1 mm.
- Base Plate included.



Item No.	Weight (g)	Box (pcs)	Item No.	Weight (g)	Box (pcs)	Item No.	Weight (g)	Box (pcs)
ZL-1502-IS-192	1081	1	ZL-1502-OS-192	1081	1	ZL-1502-WR-192	2297	1
ZL-1502-IS-320	1499	1	ZL-1502-OS-320	1499	1	ZL-1502-WR-320	3133	1
ZL-1502-IS-640	2530	1	ZL-1502-OS-640	2530	1	ZL-1502-WR-640	5195	1
ZL-1502-IS-960	3600	1	ZL-1502-OS-960	3600	1	ZL-1502-WR-960	7335	1

Item No.			Material	Finish/Color	Dimensions		
Exterior	Interior	Back-to-Back			C	L ₁	L ₂
ZL-1502-OS-192	ZL-1502-IS-192	ZL-1502-WR-192	316 Stainless Steel	Zwei L	192 (7-9/16")	208 (8-3/16")	248
ZL-1502-OS-320	ZL-1502-IS-320	ZL-1502-WR-320			320 (12-19/32")	336 (13-15/64")	376
ZL-1502-OS-640	ZL-1502-IS-640	ZL-1502-WR-640			640 (25-13/64")	656 (25-53/64")	696
ZL-1502-OS-960	ZL-1502-IS-960	ZL-1502-WR-960			960 (37-51/64")	976 (38-27/64")	1016

Working Diagram		Door Thickness (mm)	Door Hole (mm)	Item No.	
Back-to-Back on Glass Door	With Base Plate		6~12 (15/64"~15/32")	ø 12 (15/32")	ZL-1502-WR
Back-to-Back on Wooden/Metal Frame Door	With Base Plate		40~52 (1-37/64"~2-15/32")	ø 7 (9/32")	ZL-1502-WR
	Without Base Plate		38~50 (1-1/2"~1-31/32")	ø 7 (9/32")	ZL-1502-WR
Single use on Wooden/Metal Frame Door	With Base Plate			-	ZL-1502-OS
				ø 7 (9/32")	ZL-1502-OS
	Without Base Plate		Screws not included	-	ZL-1502-IS
				ø 7 (9/32")	ZL-1502-OS
				-	ZL-1502-IS
				ø 7 (9/32")	ZL-1502-OS

*If door thickness exceeds recommended thickness, a longer bolt (not supplied) should be used.

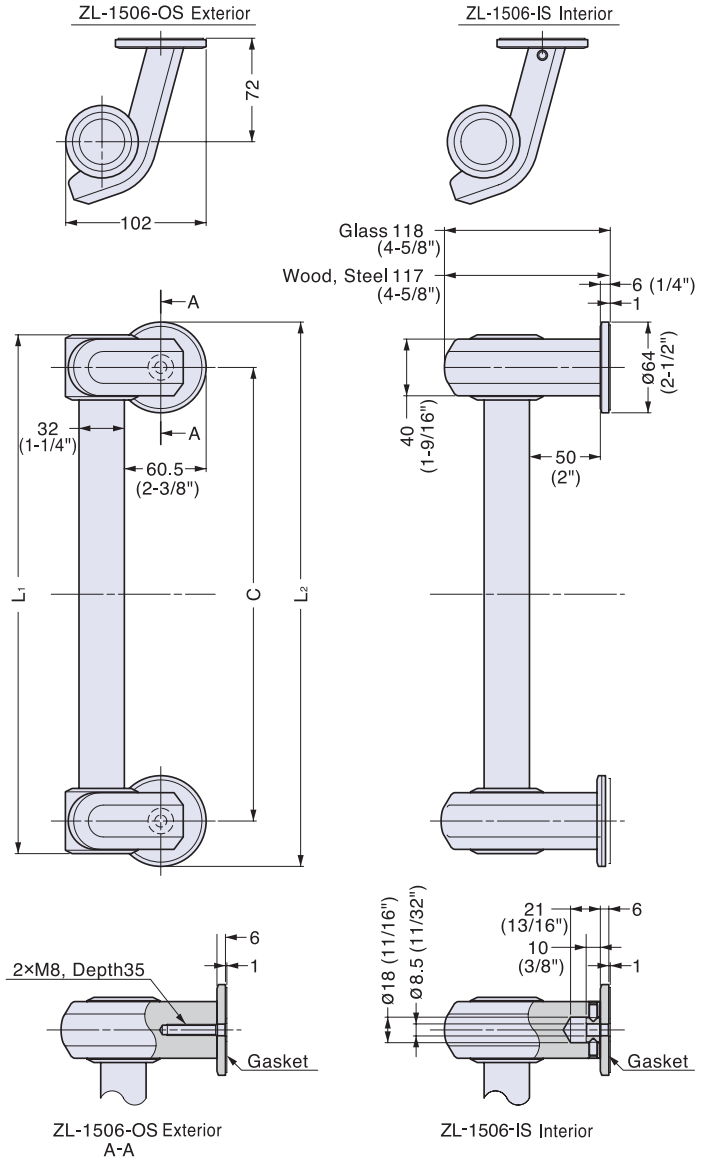
Zwei L Door Handle



ZL-1506

HANDLES

Zwei L DOOR HANDLES



Item No.			Material	Finish/Color	L ₁	L ₂	C
Exterior	Interior	Back-to-Back					
ZL-1506-OS-192	ZL-1506-IS-192	ZL-1506-WR-192	316 Stainless Steel	Zwei L	237 (9-5/16")	256 (10-1/16")	192 (7-9/16")
ZL-1506-OS-320	ZL-1506-IS-320	ZL-1506-WR-320			365 (14-3/8")	384 (15-1/8")	320 (12-5/8")
ZL-1506-OS-640	ZL-1506-IS-640	ZL-1506-WR-640			685 (27")	704 (27-3/4")	640 (25-3/8")
ZL-1506-OS-960	ZL-1506-IS-960	ZL-1506-WR-960			1005 (39-9/16")	1024 (40-5/16")	960 (37-13/16")

Working Diagram		Door Thickness (mm)	Door Hole (mm)	Item No.	
Back-to-Back on Glass Door	With Base Plate		6~15 (15/64"~5/8")	ø 16 (5/8")	ZL-1506-WR
	Without Base Plate		25~45 (63/64"~1-49/64")	ø 9 (23/64")	ZL-1506-WR
Back-to-Back on Wooden/Metal Frame Door	With Base Plate		37~57 (1-29/64"~2-1/4")	ø 9 (23/64")	ZL-1506-WR
	Without Base Plate				
Single use on Wooden/Metal Frame Door	With Base Plate		Screws not included	ø 9 (23/64")	ZL-1506-OS
				-	ZL-1506-IS
	Without Base Plate			ø 9 (23/64")	ZL-1506-OS
				-	ZL-1506-IS

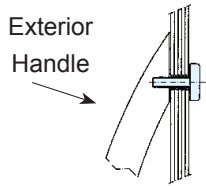
*If door thickness exceeds recommended thickness, a longer bolt (not supplied) should be used.

DOOR HANDLES AND APPLIANCE PULLS



Mounting Kit for DSI Series Door Handles

Single handle installation kit for wood/glass/metal doors

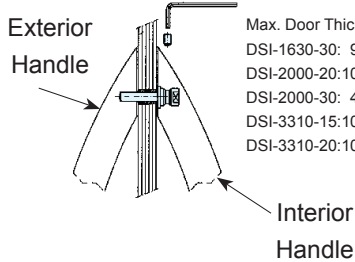


Max. Door Thickness:

DSI-1630-30: 100 mm (4")	DSI-3310-30: 60 mm (2-3/8")
DSI-2000-20: 80 mm (3-3/16")	DSI-3330-30: 100 mm (4")
DSI-2000-30: 80 mm (3-3/16")	DSI-4400-15: 60 mm (2-3/8")
DSI-3310-15: 60 mm (2-3/8")	DSI-4400-20: 60 mm (2-3/8")
DSI-3310-20: 60 mm (2-3/8")	DSI-4400-30: 60 mm (2-3/8")

Item No.	For use with
DKIT-2/15-1	DSI-3310-15
DKIT-2/15-2	DSI-4400-15
DKIT-2/20-1	DSI-2000-20/DSI-3310-20
DKIT-2/20-2	DSI-4400-20
DKIT-2/30-1	DSI-1630-30/DSI-2000-30/DSI-3310-30/DSI-3330-30
DKIT-2/30-2	DSI-4400-30

Back-to-back handle installation kit for wood/glass/metal doors

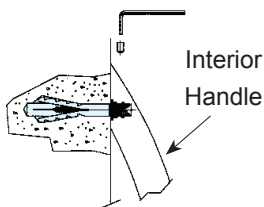


Max. Door Thickness:

DSI-1630-30: 90 mm (3-1/2")	DSI-3310-30: 100 mm (4")
DSI-2000-20: 100 mm (4")	DSI-3330-30: 100 mm (4")
DSI-2000-30: 45 mm (1-3/4")	DSI-4400-15: 100 mm (4")
DSI-3310-15: 100 mm (4")	DSI-4400-20: 100 mm (4")
DSI-3310-20: 100 mm (4")	DSI-4400-30: 100 mm (4")

Item No.	For use with
DKIT-4/15-1	DSI-3310-15
DKIT-4/15-2	DSI-4400-15
DKIT-4/20-1	DSI-2000-20/DSI-3310-20
DKIT-4/20-2	DSI-4400-20
DKIT-4/30-1	DSI-1630-30/DSI-2000-30/DSI-3310-30/DSI-3330-30
DKIT-4/30-2	DSI-4400-30

Single handle installation for concrete walls



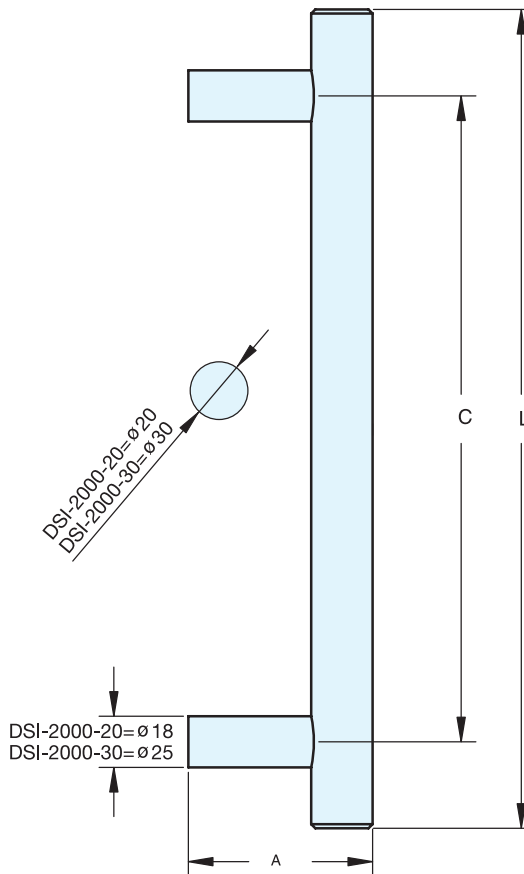
Item No.	For use with
DKIT-5/15	DSI-3310-15/DSI-4400-15
DKIT-5/20	DSI-2000-20/DSI-3310-20/DSI-4400-20
DKIT-5/30	DSI-1630-30/DSI-2000-30/DSI-3310-30/DSI-3330-30/DSI-4400-30

DOOR HANDLE

STAINLESS
304
STEEL

DSI-2000

- For use with DSI mounting kits (sold separately, See P.10).
- Please specify Interior/Exterior type when ordering:
 - Posts for Exterior handles are threaded to accept screws.
 - Posts for Interior handles have set screws for DSI mounting kits.
- Similar style to 26 and 28 series cabinet handles. (P.37)



Material	Finish
304 Stainless Steel	Satin

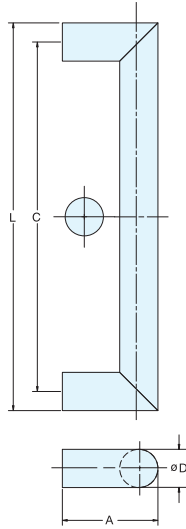
Item No.		L	C	A	Weight (kg)		Box (pcs)	Carton (pcs)
Interior	Exterior				Interior	Exterior		
DSI-2000-20-20I	DSI-2000-20-20E	300 (11-13/16")	200 (7-7/8")	65 (2-9/16")	0.89 (1.9 lbs)	0.89 (1.9 lbs)	2	10
DSI-2000-20-25I	DSI-2000-20-25E	400 (15-3/4")	250 (9-7/8")		1.11 (2.4 lbs)	1.11 (2.4 lbs)		
DSI-2000-20-30I	DSI-2000-20-30E	450 (17-3/4")	300 (11-13/16")		1.26 (2.8 lbs)	1.26 (2.8 lbs)		
DSI-2000-20-50I	DSI-2000-20-50E	700 (27-9/16")	500 (19-11/16")		0.54 (1.2 lbs)	0.54 (1.2 lbs)		

Item No.		L	C	A	Weight (kg)		Box (pcs)	Carton (pcs)
Interior	Exterior				Interior	Exterior		
DSI-2000-30-25I	DSI-2000-30-25E	550 (21-5/8")	250 (9-7/8")	90 (3-9/16")	1.34 (3.0 lbs)	1.11 (2.4 lbs)	2	10
DSI-2000-30-35I	DSI-2000-30-35E	650 (25-9/16")	350 (13-3/4")		1.22 (2.7 lbs)	1.20 (2.2 lbs)		
DSI-2000-30-45I	DSI-2000-30-45E	750 (29-1/2")	450 (17-3/4")		1.34 (3.0 lbs)	1.29 (2.8 lbs)		
DSI-2000-30-60I	DSI-2000-30-60E	900 (35-7/16")	600 (23-5/8")		1.50 (3.0 lbs)	1.50 (3.0 lbs)		

DOOR HANDLE

STAINLESS
304
STEEL

DSI-3310



- For use with DSI mounting kits (sold separately, See P.10).
- Please specify Interior/Exterior type when ordering:
 - Posts for Exterior handles are threaded to accept screws.
 - Posts for Interior handles have set screws for DSI mounting kits.
- Similar style to DIH series cabinet handles. (P.36)

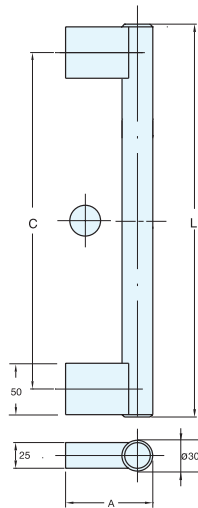
Material	Finish
304 Stainless Steel	Satin

Item No.		D	L	C	A	Weight (kg)		Box (pcs)	Carton (pcs)
Interior	Exterior					Interior	Exterior		
DSI-3310-15-15I	DSI-3310-15-15E	15	165 (6-1/2")	150 (5-29/32")	55 (2-3/16")	0.32 (0.7 lbs)	0.32 (0.7 lbs)	1	10
DSI-3310-15-20I	DSI-3310-15-20E		215 (8-1/2")	200 (7-7/8")		0.39 (0.9 lbs)	0.40 (0.9 lbs)		
DSI-3310-15-30I	DSI-3310-15-30E		315 (12-3/8")	300 (11-13/16")		0.52 (1.1 lbs)	0.54 (1.2 lbs)		
DSI-3310-20-20I	DSI-3310-20-20E	20	220 (8-11/16")	200 (7-7/8")	65 (2-9/16")	0.16 (0.4 lbs)	0.18 (0.4 lbs)		
DSI-3310-20-25I	DSI-3310-20-25E		270 (10-5/8")	250 (9-27/32")		0.18 (0.4 lbs)	0.20 (0.4 lbs)		
DSI-3310-20-30I	DSI-3310-20-30E		320 (12-5/8")	300 (11-13/16")		0.20 (0.4 lbs)	0.23 (0.5 lbs)		
DSI-3310-30-25I	DSI-3310-30-25E	30	280 (11")	250 (9-27/32")	90 (3-9/16")	0.48 (1.1 lbs)	0.48 (1.1 lbs)		
DSI-3310-30-30I	DSI-3310-30-30E		330 (12")	300 (11-13/16")		0.52 (1.1 lbs)	0.52 (1.1 lbs)		
DSI-3310-30-35I	DSI-3310-30-35E		380 (14-15/16")	350 (13-25/32")		0.59 (1.3 lbs)	0.57 (1.3 lbs)		
DSI-3310-30-60I	DSI-3310-30-60E		630 (24-13/16")	600 (23-5/8")		0.95 (2.1 lbs)	0.95 (2.1 lbs)		

DOOR HANDLE

STAINLESS
304
STEEL

DSI-3330



- For use with DSI mounting kits (sold separately, See P.10).
- Please specify Interior/Exterior type when ordering:
 - Posts for Exterior handles are threaded to accept screws.
 - Posts for Interior handles have set screws for DSI mounting kits.
- Similar style to 16 and 27 series cabinet handles. (P.36)

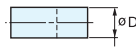
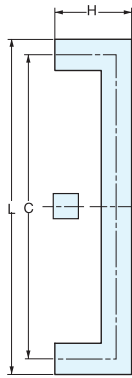
Material	Finish
304 Stainless Steel	Satin

Item No.		L	C	A	Weight (kg)		Box (pcs)	Carton (pcs)
Interior	Exterior				Interior	Exterior		
DSI-3330-30-30I	DSI-3330-30-30E	350	300 (11-13/16")	90 (3-9/16")	1.49 (3.3 lbs)	1.57 (3.5 lbs)	1	10
DSI-3330-30-50I	DSI-3330-30-50E	550	500 (19-11/16")		1.70 (3.7 lbs)	1.70 (3.7 lbs)		

DOOR HANDLE

STAINLESS
304
STEEL

DSI-4400



- For use with DSI mounting kits (sold separately, See P.10).
- Please specify Interior/Exterior type when ordering:
 - Posts for Exterior handles are threaded to accept screws.
 - Posts for Interior handles have set screws for DSI mounting kits.
- Similar style to KPH series cabinet handles. (P.45)

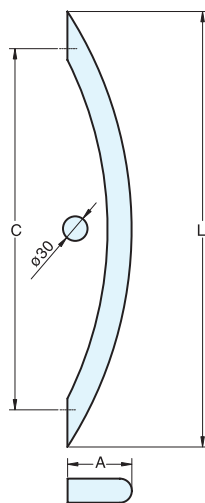
Material	Finish
304 Stainless Steel	Satin

Item No.		D	L	C	H	Weight (kg)		Box (pcs)	Carton (pcs)
Interior	Exterior					Interior	Exterior		
DSI-4400-15-15I	DSI-4400-15-15E	15	165 (6-1/2")	150 (5-29/32")	55 (2-3/16")	0.41 (0.9 lbs)	0.42 (0.9 lbs)	1	10
DSI-4400-15-20I	DSI-4400-15-20E		215 (8-1/2")	200 (7-7/8")		0.48 (1.1 lbs)	0.50 (1.1 lbs)		
DSI-4400-15-30I	DSI-4400-15-30E		315 (12-3/8")	300 (11-13/16")		0.67 (1.5 lbs)	0.68 (1.5 lbs)		
DSI-4400-20-20I	DSI-4400-20-20E	20	220 (8-11/16")	200 (7-7/8")	65 (2-9/16")	0.18 (0.4 lbs)	0.23 (0.5 lbs)		
DSI-4400-20-25I	DSI-4400-20-25E		270 (10-5/8")	250 (9-27/32")		0.22 (0.5 lbs)	0.24 (0.5 lbs)		
DSI-4400-20-30I	DSI-4400-20-30E		320 (12-5/8")	300 (11-13/16")		0.26 (0.6 lbs)	0.26 (0.6 lbs)		
DSI-4400-30-25I	DSI-4400-30-25E	30	280 (11")	250 (9-27/32")	90 (3-9/16")	0.56 (1.2 lbs)	0.59 (1.3 lbs)		
DSI-4400-30-30I	DSI-4400-30-30E		330 (12")	300 (11-13/16")		0.51 (1.1 lbs)	0.50 (1.1 lbs)		
DSI-4400-30-35I	DSI-4400-30-35E		380 (14-15/16")	350 (13-25/32")		0.71 (1.6 lbs)	0.57 (1.3 lbs)		
DSI-4400-30-60I	DSI-4400-30-60E		630 (24-13/16")	600 (23-5/8")		1.09 (2.4 lbs)	1.09 (2.4 lbs)		

DOOR HANDLE

STAINLESS
304
STEEL

DSI-1630



- For use with DSI mounting kits (sold separately, See P.10).
- Please specify Interior/Exterior type when ordering:
 - Posts for Exterior handles are threaded to accept screws.
 - Posts for Interior handles have set screws for DSI mounting kits.
- Similar style to 30 series cabinet handles. (P.38)



Material	Finish
304 Stainless Steel	Satin

Item No.		L	C	A	Weight (kg)	Box (pcs)	Carton (pcs)
Interior	Exterior						
DSI-1630-30-25I	DSI-1630-30-25E	314 (12-3/8")	250 (9-7/8")	66 (2-19/32")	0.8 (1.8 lbs)	1	10
DSI-1630-30-35I	DSI-1630-30-35E	430 (16-15/16")	350 (13-3/4")	74 (2-29/32")	1.2 (2.7 lbs)		
DSI-1630-30-45I	DSI-1630-30-45E	542 (21-5/16")	450 (17-3/4")	80 (3-5/32")	1.5 (3.3 lbs)		
DSI-1630-30-60I	DSI-1630-30-60E	721 (28-3/8")	600 (23-5/8")	79 (3-7/64")	1.8 (4.0 lbs)		

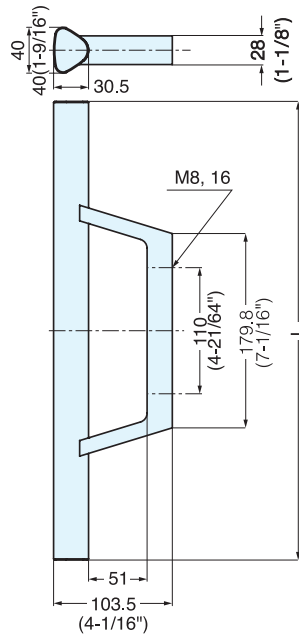
LARGE HANDLE (STRAIGHT DESIGN)



TBH



TBH-600SL



- Revolutionary design aesthetic combines purity of form with solidity of feel.
- Consists of a triangle-shaped bar and a bracket in the center.
- Rich individuality and excellent overall coordination.

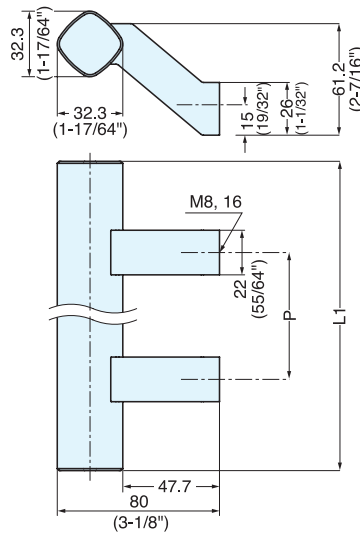
Item No.	Finish(Bar Handle)	L	Weight(g)
TBH-400SL	Silver	400 (15-3/4")	1300
TBH-400BL	Black		
TBH-600SL	Silver	600 (23-5/8")	1770
TBH-600BL	Black		

Part Name	Material	Finish
Bar Handle	Aluminum Alloy	Silver/Black
Bracket	Zinc Alloy	Black

LARGE HANDLE (OFF-SET DESIGN)



SBH



- A minimalist yet functional profile.
- Square handle fits perfectly in the hand.
- The unique design creates the impression of a floating handle.

Item No.	Finish	L ₁	P	Weight(g)
SBH-400SL	Silver	400 (15-3/4")	310 (12-13/64")	893
SBH-400BL	Black			
SBH-600SL	Silver	600 (23-5/8")	510 (20-5/64")	1270
SBH-600BL	Black			
SBH-800SL	Silver	800 (31-1/2")	710 (27-61/64")	1647
SBH-800BL	Black			

Part Name	Material	Finish/Color
Bar Handle	Aluminum Alloy	Silver/Black
Bracket	Zinc Alloy	Black

LARGE HANDLE

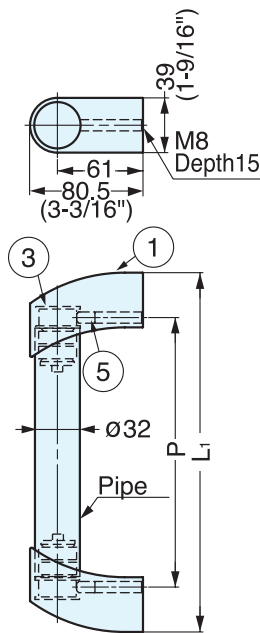

MDH
HANDLES
LARGE HANDLES

- Handle bars available in 304 stainless steel (304SS) or carbon fiber reinforced polymer (CFRP). Posts are zinc die cast with a chrome (CR) finish.
- Includes hexagonal M8 × 15 bolts.
- Assembly required.

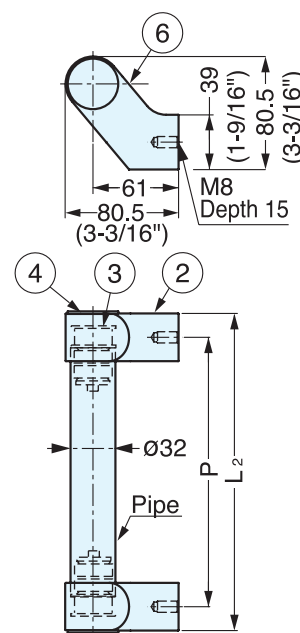


MDH-PS

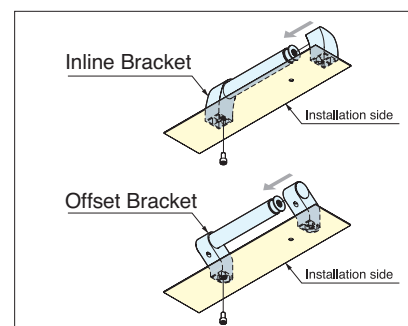
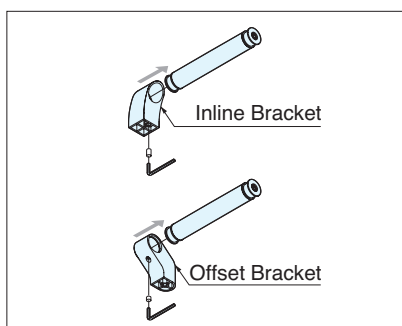
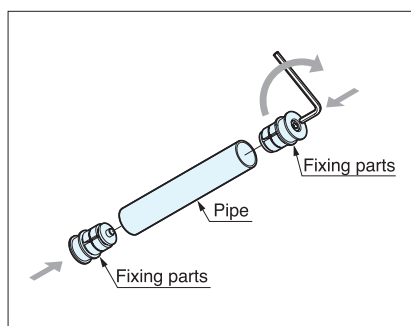
MDH-PC



INLINE



OFFSET



No.	Part Name	Material	Finish/Color
①	Bracket (Straight)	Zinc Alloy	Matte Chrome
②	Bracket (Offset)		
③	Fixing Parts	Stainless Steel	Black
④	Cover		
⑤	HEX set screw M8x15	Stainless Steel	Black
⑥	HEX set screw M8x8		Plain

Item No.		Material	P (mm)	L ₁ (mm)	L ₂ (mm)	Weight (g)	
Inline Posts	Offset Posts					Inline	Offset
MDH-PS192-IH	MDH-PS192-OH	304 Stainless Steel	192 (7-9/16")	256	226	1386	1506
MDH-PS350-IH	MDH-PS350-OH		350 (13-25/32")	414	384	1729	1849
MDH-PS500-IH	MDH-PS500-OH		500 (19-11/16")	564	534	2052	2172
MDH-PS800-IH	MDH-PS800-OH		800 (31-1/2")	864	834	2702	2822
MDH-PS1200-IH	MDH-PS1200-OH		1200 (47-1/4")	1264	1234	3572	3692
MDH-PC192-IH	MDH-PC192-OH	CFRP	192 (7-9/16")	256	226	1072	1192
MDH-PC350-IH	MDH-PC350-OH		350 (13-25/32")	414	384	1134	1254
MDH-PC500-IH	MDH-PC500-OH		500 (19-11/16")	564	534	1193	1313
MDH-PC800-IH	MDH-PC800-OH		800 (31-1/2")	864	834	1311	1431
MDH-PC1200-IH	MDH-PC1200-OH		1200 (47-1/4")	1264	1234	1469	1589

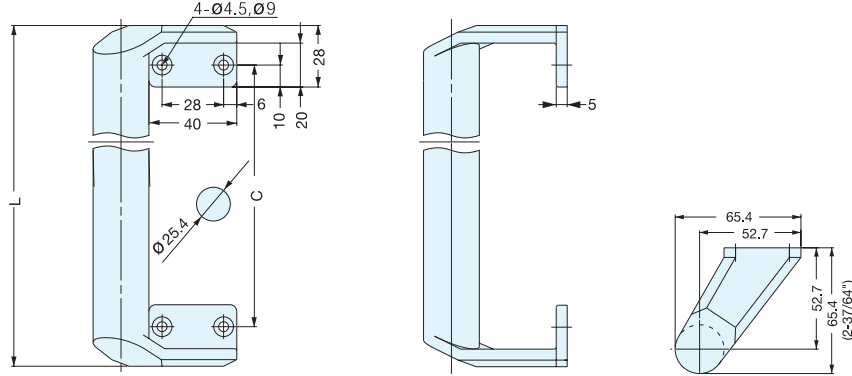
LARGE HANDLE



MP-500, 750, 1000



- Ideal for harsh and high corrosive environments.
- Designed for machinery applications where a heavy duty handle is required.



Item No.	L	C	Weight (g)	Box (pcs)	Carton (pcs)
MP-500	500	464 (18-17/64")	1000	2	20
MP-750	750	714 (28-7/64")	1300		16
MP-1000	1000	964 (37-61/64")	1600		12

Material	Finish
316 Stainless Steel	Mirror

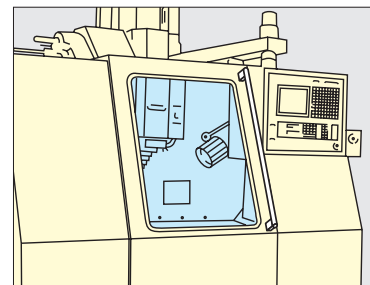
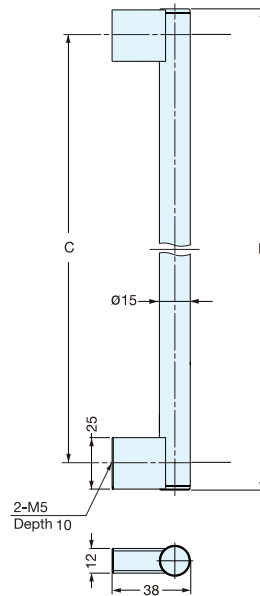
LARGE HANDLE



RH-760



- Low profile design.
- Designed for machinery applications where a heavy duty handle is required.
- Recommended screw size: M5



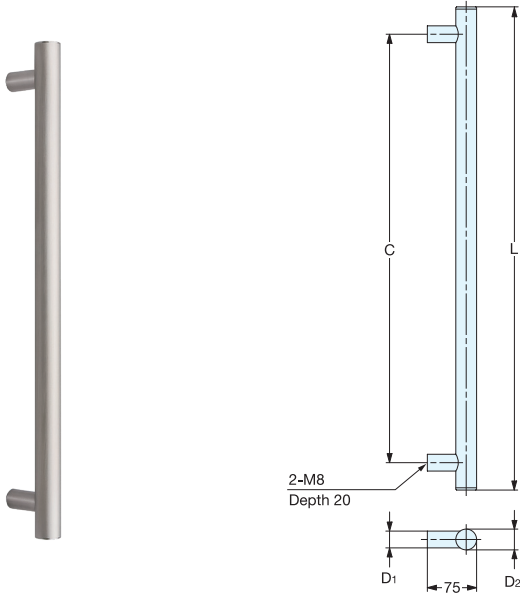
Item No.	L	C	Weight (g)	Box (pcs)	Carton (pcs)
RH-760	786	760 (29-59/64")	340	20	200

Material	Finish
304 Stainless Steel	Satin

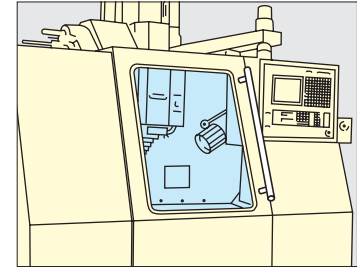
LARGE HANDLE



SSH



- Ideal in high corrosive environments and machinery applications.
- Designed for applications where a heavy duty handle is required.
- Recommended screw size: M8



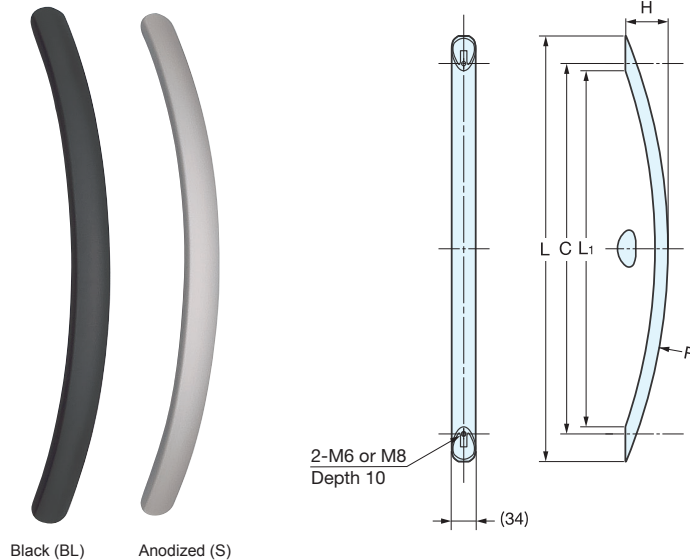
Item No.	L	C	D ₁	D ₂	Weight (g)	Box (pcs)	Carton (pcs)
SSH-2540	400	316 (12-7/16")	19	25	665	10	100
SSH-2560	600	516 (20-5/16")			750		
SSH-2580	800	716 (28-3/16")			840		
SSH-3240	400	316 (12-7/16")	25	32	1175	5	50
SSH-3260	600	516 (20-5/16")			1290		
SSH-3280	800	716 (28-3/16")			1400		

Material	Finish
304 Stainless Steel	Satin

ALUMINUM LARGE HANDLE



SOR



Black (BL) Anodized (S)

- Ideal for machinery applications where a large handle is required.
- Recommended screw size:
M6 (400 and 600)
M8 (800)

Material	Finish
Aluminum	Anodized (S) Black (BL)

Item No.	L	L ₁	C	H	R	Weight (g)	Box (pcs)	Carton (pcs)
SOR-400/S	SOR-400/BL	(390) (15-23/64")	(323)	335 (13-3/16")	(60) (2-23/64")	350	30	300
SOR-600/S	SOR-600/BL	(600) (23-5/8")	(502)	522 (20-35/64")		790	20	200
SOR-800/S	SOR-800/BL	(816) (32-1/8")	(686)	710 (27-61/64")		1440	15	150

SLIDING DOOR HANDLE



DSI-4251

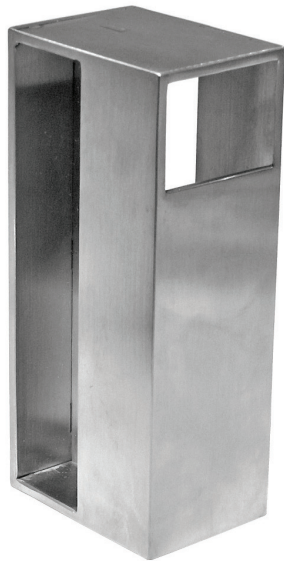


DSI-3250

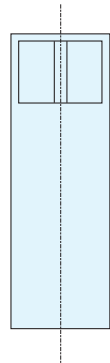
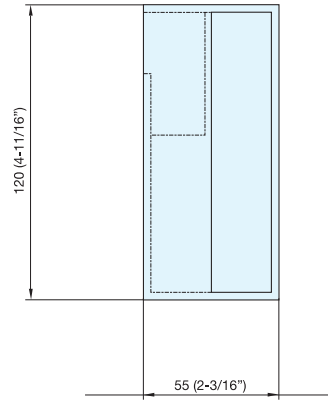
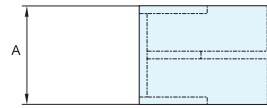
SLIDING DOOR HANDLE

STAINLESS
304
STEEL

DSI-4251



- Contemporary handle design that can be accessed from door front, back, or edge.
- Requires adhesive for installation (such as 2-part epoxy, not supplied.)



Item No.	A	Weight (g)	Box (pcs)	Carton (pcs)
DSI-4251-35	35.0 (1-3/8")	490 (1.08 lbs)	1	10
DSI-4251-38	38.0 (1-1/2")	515 (1.14 lbs)		
DSI-4251-40	40.0 (1-9/16")	530 (1.17 lbs)		
DSI-4251-43	43.0 (1-11/16")	550 (1.21 lbs)		
DSI-4251-45	44.5 (1-3/4")	570 (1.26 lbs)		
DSI-4251-50	50.0 (1-31/32")	590 (1.30 lbs)		

Material	Finish
304 Stainless Steel	Satin

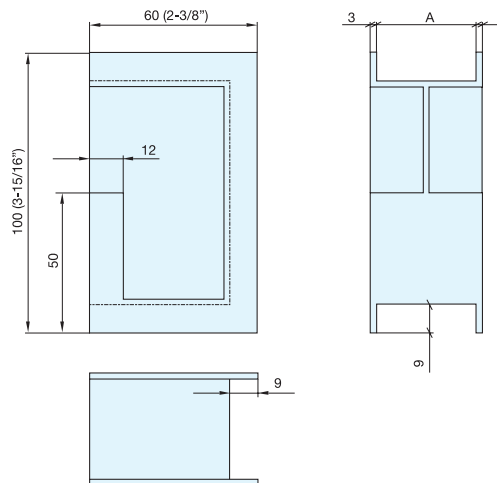
SLIDING DOOR HANDLE

STAINLESS
304
STEEL

DSI-4253



- Contemporary handle design that can be accessed from door front, back, or edge.
- Requires adhesive for installation (Such as 2-part epoxy, not supplied.)



Item No.	A	Weight (g)	Box (pcs)	Carton (pcs)	Material	Finish
DSI-4253-35	35.0 (1-3/8")	495 (1.09 lbs)	1	10	304 Stainless Steel	Satin
DSI-4253-38	38.0(1-1/2")	505 (1.11 lbs)				
DSI-4253-40	40.0 (1-9/16")	515 (1.14 lbs)				
DSI-4253-43	43.0 (1-11/16")	530 (1.17 lbs)				
DSI-4253-45	44.5 (1-3/4")	545 (1.20 lbs)				

SLIDING DOOR HANDLE

STAINLESS
304
STEEL

BRASS

DSI-3250

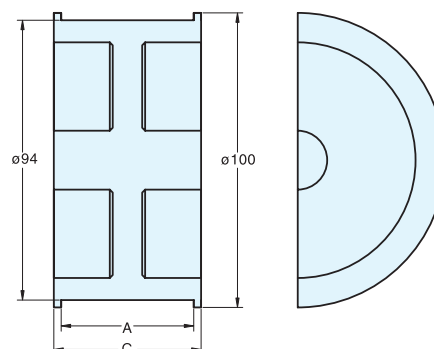


Satin



Antique Brass

- Contemporary handle design that can be accessed from door front, back, or edge.
- Requires adhesive for installation (Such as 2-part epoxy, not supplied.)

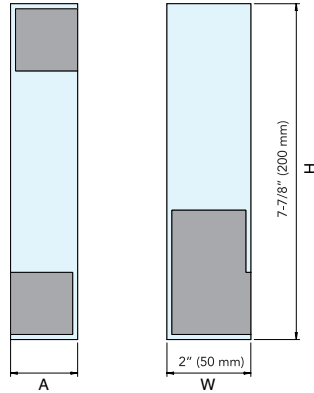


Item No.	C	A	Weight (g)	Box (pcs)	Carton (pcs)	Material	Finish
DSI-3250-12-1	17 (11/16")	12.7 (1/2")	280 (0.6 lbs)	1	10	304 Stainless Steel	Satin
DSI-3250-35	39 (1-17/32")	35.0 (1-3/8")	440 (0.9 lbs)				
DSI-3250-35-AB							
DSI-3250-45	49 (1-15/16")	45.0 (1-49/64")	550 (1.2 lbs)				
DSI-3250-45-AB							
DSI-3250-50	54 (2-1/8")	50.0 (1-31/32")	670 (1.5 lbs)			Brass (AB model only)	Antique Brass (AB)

SLIDING DOOR HANDLE

STAINLESS
304
STEEL

DSI-4257



- Contemporary handle design that can be accessed from door front, back, or edge.
- Requires adhesive for installation (such as 2-part epoxy, not supplied.)



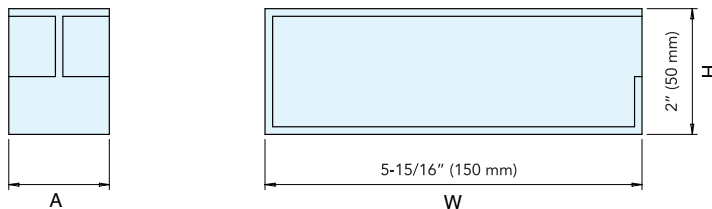
Item No.	W	H	A	Weight (g)	Box (pcs)	Carton (pcs)
DSI-4257-35	2" (50)	7-7/8" (200)	1-3/8" (35)	528	1	8
DSI-4257-45			1-3/4" (45)	625		

Material	Finish
304 Stainless Steel	Satin

SLIDING DOOR HANDLE

STAINLESS
304
STEEL

DSI-4258



- Contemporary handle design that can be accessed from door front, back, or edge.
- Requires adhesive for installation (such as 2-part epoxy, not supplied.)
- Unique, horizontal design for more natural movement.



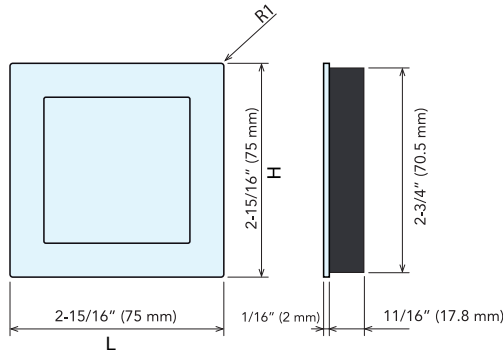
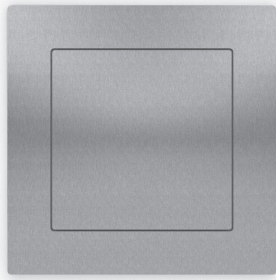
Item No.	W	H	A	Weight (g)	Box (pcs)	Carton (pcs)
DSI-4258-35	5-15/16" (150)	2" (50)	1-3/8" (35)	496	1	18
DSI-4258-45			1-3/4" (45)	542		

Material	Finish
304 Stainless Steel	Satin

RECESSED PULL



DSI-4501



- Modern, unobtrusive design.
- 1/16" (2mm) projection, ideal for furniture or pocket doors.



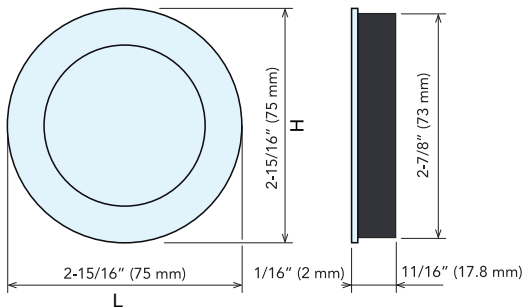
Item No.	L	H	D	Weight (g)	Box (pcs)	Carton (pcs)
DSI-4501-75	2-15/16" (75)	2-15/16" (75)	11/16" (17.8)	141	10	40

Part Name	Material	Finish
Faceplate, Ring	304 Stainless Steel	Satin
Cup	Plastic	Black
Spring	Steel	-

RECESSED PULL



DSI-4502



- Modern, unobtrusive design.
- 1/16" (2mm) projection, ideal for furniture or pocket doors.



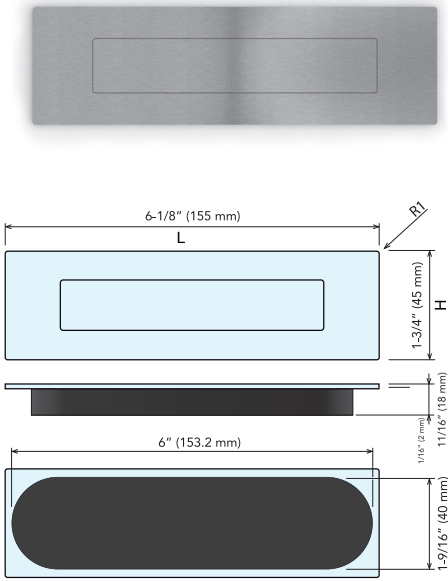
Item No.	L	H	D	Weight (g)	Box (pcs)	Carton (pcs)
DSI-4502-75	2-15/16" (75)	2-15/16" (75)	11/16" (17.8)	122	10	40

Part Name	Material	Finish
Faceplate, Ring	304 Stainless Steel	Satin
Cup	Plastic	Black
Spring	Steel	-

RECESSED PULL

STAINLESS
304
STEEL

DSI-4503



- Modern, unobtrusive design.
- 1/16" (2mm) projection, ideal for furniture or pocket doors.



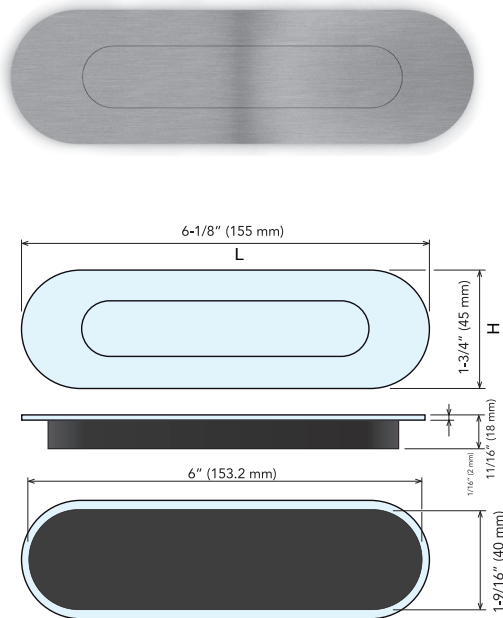
Item No.	L	H	D	Weight (g)	Box (pcs)	Carton (pcs)
DSI-4503-155	6-1/8" (155)	1-3/4" (45)	11/16" (18)	173	10	40

Part Name	Material	Finish
Faceplate, Ring	304 Stainless Steel	Satin
Cup	Plastic	Black
Spring	Steel	-

RECESSED PULL

STAINLESS
304
STEEL

DSI-4504



- Modern, unobtrusive design.
- 1/16" (2mm) projection, ideal for furniture or pocket doors.



Item No.	L	H	D	Weight (g)	Box (pcs)	Carton (pcs)
DSI-4504-155	6-1/8" (155)	1-3/4" (45)	11/16" (18)	170	10	40

Part Name	Material	Finish
Faceplate, Ring	304 Stainless Steel	Satin
Cup	Plastic	Black
Spring	Steel	-

SLIDING DOOR HANDLE



DSI-3020



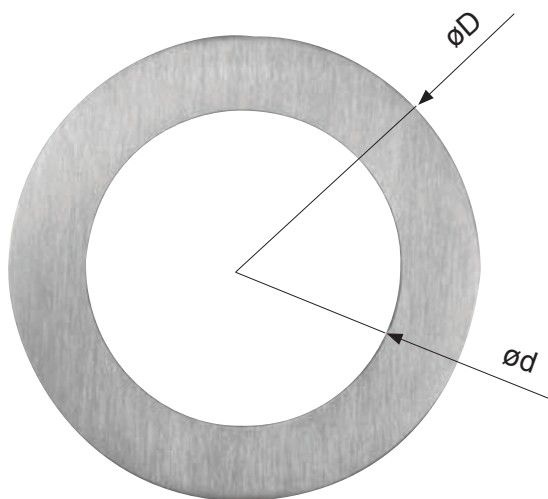
DSI-4020

SLIDING DOOR HANDLE



DSI-3010

- Surface-mount handle.
- Sold as a set. Each set includes 2 metal handles and 1 edge-mounted recessed pull (for use with wood doors).

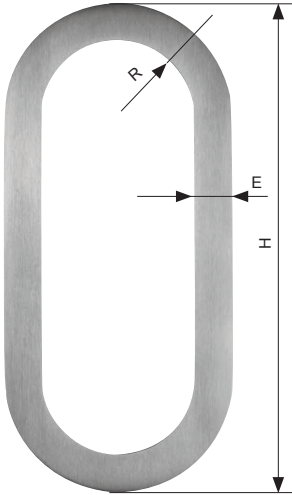


Item No.	D	d	Thickness (mm)	Weight (g)	Box (sets)	Carton (sets)
DSI-3010-40	40 (1-9/16")	24 (15/16")	6 (1/4")	80	1	10
DSI-3010-70	70 (2-3/4")	46 (1-13/16")		140		
DSI-3010-100	100 (3-15/16")	68 (2-11/16")		200		

Material	Finish
304 Stainless Steel	Satin

SLIDING DOOR HANDLE

DSI-3020

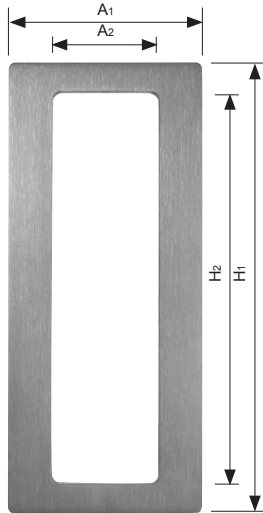


- Surface-mount handle.
- Sold as a set. Each set includes 2 metal handles and 1 edge-mounted recessed pull (for use with wood doors).

Item No.	H	E	R	Thickness (mm)	Material		Finish	
					304 Stainless Steel	Satin		
DSI-3020-85	85 (3-3/8")	8	12	6 (1/4")	70	1	10	
DSI-3020-150	150 (5-7/8")	12	23		125			
DSI-3020-300	300 (11-13/16")	16	24		250			

SLIDING DOOR HANDLE

DSI-4020

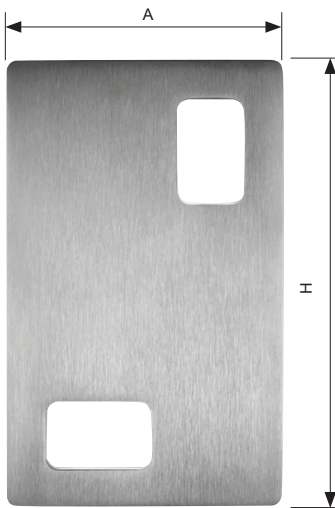


- Surface-mount handle.
- Sold as a set. Each set includes 2 metal handles and 1 edge-mounted recessed pull (for use with wood doors).

Item No.	H ₁	H ₂	A ₁	A ₂	Thickness (mm)	Material		Finish	
						304 Stainless Steel	Satin		
DSI-4020-85	85 (3-3/8")	65 (2-9/16")	50 (2")	20 (13/16")	6 (1/4")	135	1	10	
DSI-4020-150	150 (5-7/8")	130 (5-1/8")	65 (2-9/16")	35 (1-3/8")		240			
DSI-4020-300	300 (11-13/16")	280 (11")	80 (3-3/16")	50 (2")		480			

SLIDING DOOR HANDLE

DSI-4040



- Surface-mount handle.
- Sold as a set. Each set includes 2 metal handles and 1 edge-mounted recessed pull (for use with wood doors).

Item No.	H	A	Thickness (mm)	Material		Finish	
				304 Stainless Steel	Satin		
DSI-4040-85	85 (3-3/8")	50 (2")	6 (1/4")	70	1	10	
DSI-4040-150	150 (5-7/8")	92 (3-5/8")		125			
DSI-4040-300	300 (11-13/16")	185 (7-5/16")		250			



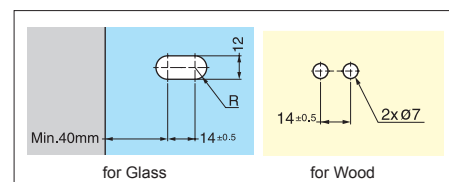
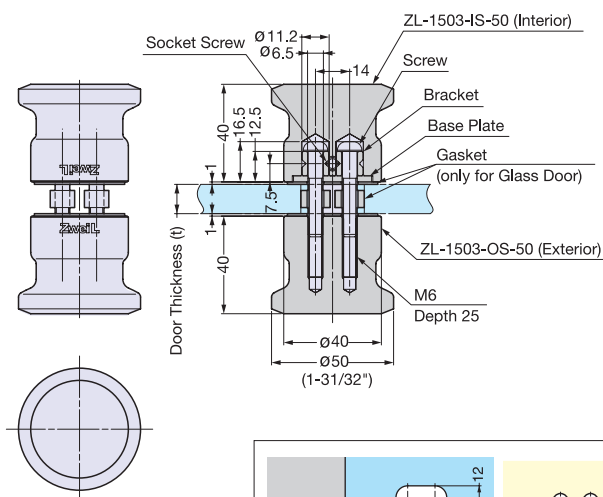
Zwei L Glass Door Knob



ZL-1503



- Door Thickness (t)
 - Wooden/Metal Frame Door: 36~48 mm (1-7/16"~1-7/8")
 - Glass Door: 6~12 mm (1/4"~1/2")



Item No.	Type	Material	Finish/Color	Weight (g)	Box (pcs)
ZL-1503-IS-50	Interior Knob	316 Stainless Steel	Zwei L	480	1
ZL-1503-OS-50	Exterior Knob			507	1
ZL-1503-WN-50*	Back-to-Back Knob			1000	1

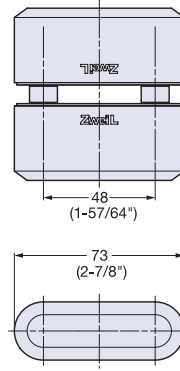
*Back-to-Back type includes 2 knobs, screw set and allen key.

Zwei L Glass Door Pull

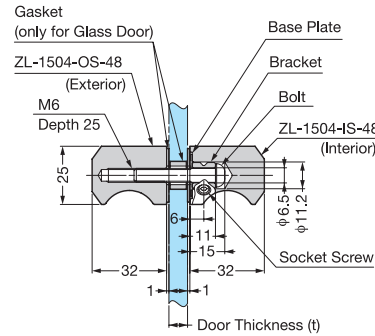


ZL-1504

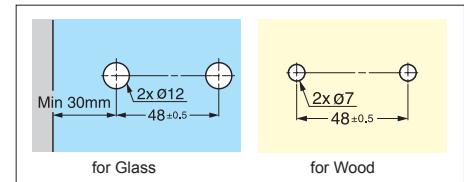
HANDLES



- Door Thickness (t)
 - Wooden/Metal Frame Door: 36~48 mm (1-7/16"~1-7/8")
 - Glass Door: 6~12 mm (1/4"~1/2")
 - Hardware set for glass only included in back to back set.



Item No.	Type	Material	Finish/Color	Weight (g)	Box (pcs)
ZL-1504-IS-48	Interior Pull	316 Stainless Steel	Zwei L	432	1
ZL-1504-OS-48	Exterior Pull			462	
ZL-1504-WN-48*	Back-to-Back Pull			989	



Cut out dimensions

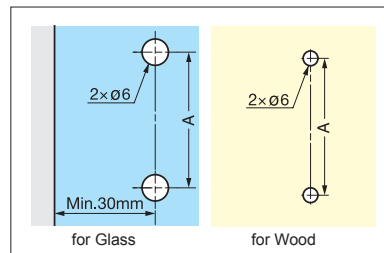
*Back-to-Back type includes 2 knobs, screw set and allen key.

Zwei L GLASS DOOR PULLS

Zwei L Glass Door Pull

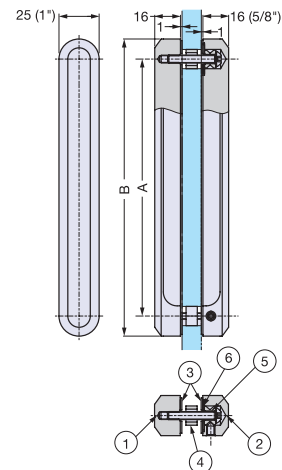


ZL-1505



Cut out dimensions

- Door Thickness (t)
 - Wooden/Metal Frame Door: 40~46 mm (1-9/16"~1-13/16")
 - Glass Door: 8~12 mm (5/16"~1/2")



Item No.	Type	A	B	Weight (g)	Box (pcs)
ZL-1505-IS-160	Interior Pull	160 (6-19/64")	185 (7-9/32")	563	1
ZL-1505-OS-160	Exterior Pull	160 (6-19/64")	185 (7-9/32")	580	
ZL-1505-WN-160*	Back-to-Back Pull	160 (6-19/64")	185 (7-9/32")	1177	

Item No.	Type	A	B	Weight (g)	Box (pcs)
ZL-1505-IS-320	Interior Pull	320 (12-19/32")	345 (13-37/64")	1023	1
ZL-1505-OS-320	Exterior Pull	320 (12-19/32")	345 (13-37/64")	1052	
ZL-1505-WN-320*	Back-to-Back Pull	320 (12-19/32")	345 (13-37/64")	2109	

No.	Part Name	Material
①	Main Body	316 Stainless Steel
②		316 Stainless Steel
③	Gasket	Elastomer
④	Rubber Ring	Chloroprene Rubber
⑤	Bracket	316 Stainless Steel
⑥	Washer	316 Stainless Steel

*Back-to-Back type includes 2 knobs, screw set and allen key.

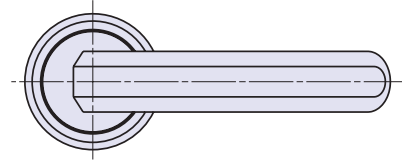
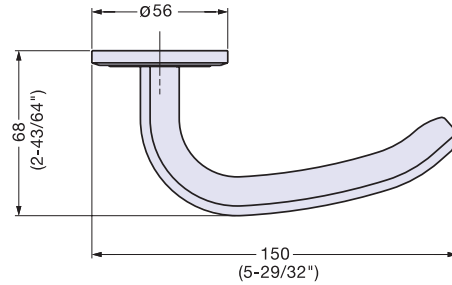
ZweiL Lever Handle

STAINLESS
316
STEEL

ZL-1101



- Non-handed.
- For use with mortise case locks, etc. (Not supplied).



Item No.	Material	Finish/Color	Weight (g)	Box (pcs)
ZL-1101	316 Stainless Steel	Zwei L	1205	1

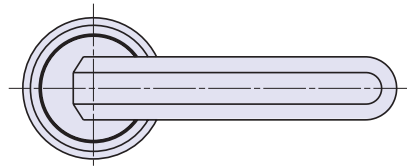
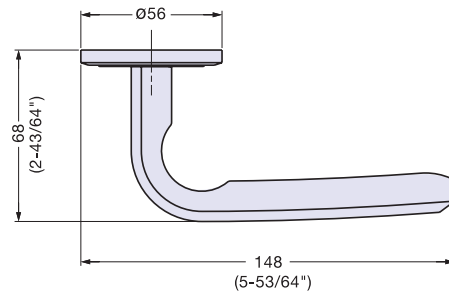
ZweiL Lever Handle

STAINLESS
316
STEEL

ZL-1102



- Non-handed.
- For use with mortise case locks, etc. (Not supplied).



Item No.	Material	Finish/Color	Weight (g)	Box (pcs)
ZL-1102	316 Stainless Steel	Zwei L	1133	1

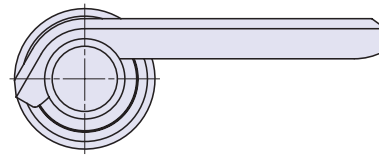
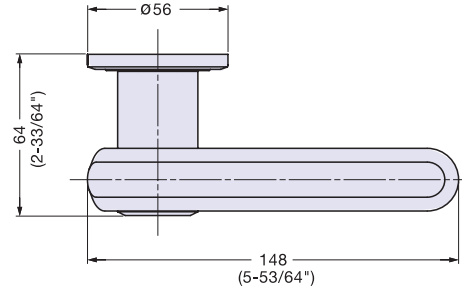
ZweiL Lever Handle

STAINLESS
316
STEEL

ZL-1103



- Non-handed.
- For use with mortise case locks, etc. (Not supplied).



Item No.	Material	Finish/Color	Weight (g)	Box (pcs)
ZL-1103	316 Stainless Steel	Zwei L	1751	1

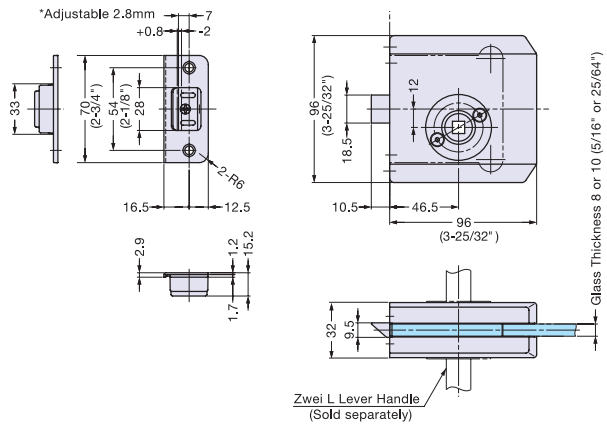
ZweiL Glass Door Latch

STAINLESS
316
STEEL

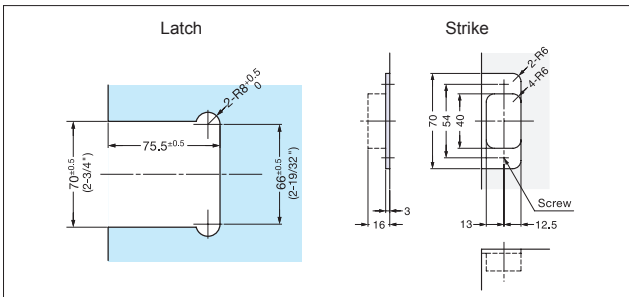
ZL-1601



- Lever handle not included.
- Can be used with ZL-1101, ZL-1102 and ZL-1103 lever handles.
- Includes strike.



ZL-1601-2 is shown.



Cut out Dimensions

Item No.	Material	Finish/Color	Handing	Weight (g)	Box (pcs)
ZL-1601-1	316 Stainless Steel	Zwei L	Right Hand Opening Away/Left Hand Opening Towards	970	1
ZL-1601-2			Left Hand Opening Away/Right Hand Opening Towards		

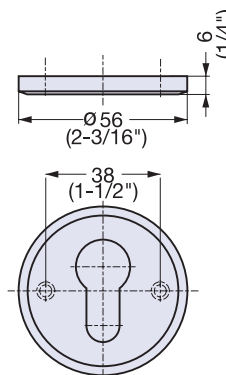
ZweiL Escutcheon

STAINLESS
316
STEEL

ZL-1202



- Ø56 (Material: 316 Stainless Steel).
- Please use ZL-1403 for thumbturn knob (P.27).



Item No.	Material	Finish/Color	Weight (g)	Box (pcs)
ZL-1202	316 Stainless Steel	Zwei L	150	1

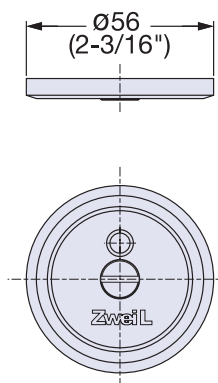
ZweiL Indicator

STAINLESS
316
STEEL

ZL-1301-INR



- Ø56 (Material: 316 Stainless Steel).



Item No.	Material	Finish/Color	Weight (g)	Box (pcs)
ZL-1301-INR	316 Stainless Steel	Zwei L	194	1

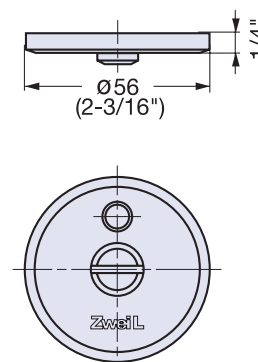
ZweiL Indicator

STAINLESS
316
STEEL

ZL-1302



- Ø56 (Materials: 316 Stainless Steel).
- For use with ZL-1402 (P.27).



Item No.	Material	Finish/Color	Weight (g)	Box (pcs)
ZL-1302	316 Stainless Steel	Zwei L	135	1

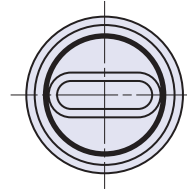
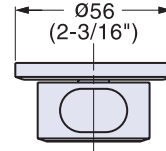
Zwei L Thumbturn

STAINLESS
316
STEEL

ZL-1401-SMR



- Ø56 (Material: 316 Stainless Steel).



Item No.	Material	Finish/Color	Weight (g)	Box (pcs)
ZL-1401-SMR	316 Stainless Steel	Zwei L	305	1

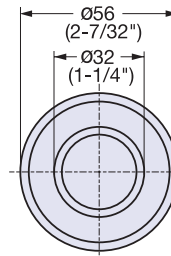
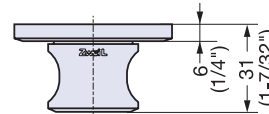
Zwei L Thumbturn

STAINLESS
316
STEEL

ZL-1402



- Ø56 (Material: 316 Stainless Steel).
- For use with ZL-1302 (P.26).
- Please use ZL-1403 for thumbturn knob.



Item No.	Material	Finish/Color	Weight (g)	Box (pcs)
ZL-1402	316 Stainless Steel	Zwei L	251	1

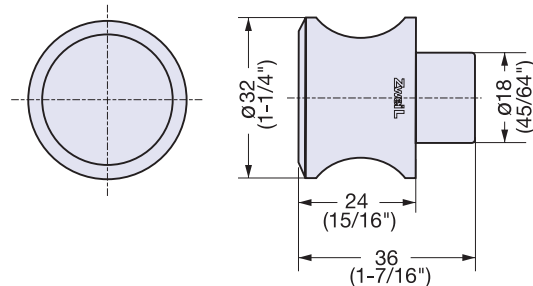
Zwei L Thumbturn Knob

STAINLESS
316
STEEL

ZL-1403



- Ø56 (Material: 316 Stainless Steel).
- For use with profile cylinder, etc. (Not supplied).
- Works with ZL-1202 (P.26).
- Does not work with indicators.



Item No.	Material	Finish/Color	Weight (g)	Box (pcs)
ZL-1403	316 Stainless Steel	Zwei L	198	1