



A & B Wood Design

FINE ARCHITECTURAL MOULDINGS



OXFORD CLASSIC WAINSCOT
BEADBOARD & PANEL SYSTEMS



Exterior Mouldings to Stand the Test of Time





A & B Wood Design

800.669.9871

Fax 203.888.0493 | www.abwooddesign.com



Contents

A & B Designs Stock 3-25

- Backbands 8, 25
- Baseboards 12-15
- Base Caps 6-7
- Beads 25
- Casings 8-11
- Chair Rails 15-16
- Craftsman Collection 5
- Crowns 17-22
- Crowns - Solids 11, 22
- Crown Extenders 24
- New Items 4
- Panel Mouldings 6-7, 12-15
- Plinth 23
- Shoe Mouldings 6-7
- Stools 24
- Wainscot 4, 25

Pyramid PVC Stock 26-29

S4S Boards 30-31

- Exterior Paulownia S4S and
- Interior MDF S4S 30
- Pattern Stock 31

Oxford Classic Wainscot 32-35

- Stock – Beadboard 32
- Custom – Paneled Wainscot 33-35

Collections 36-38

- Amesbury 36
- Westchester 37
- Classic 38

Moulding Combinations 39

A & B Designs Special Order . . 40-56

- Backbands 55-56
- Baseboards 48-49
- Base Caps 41
- Beads 55
- Casings 42-47, 54
- Chair Rails 50
- Crowns 51-53
- Crowns - Solid 54
- Crown Extenders 56
- Panel Mouldings 41
- Plinths 55
- Shoe Mouldings 41

Historic Mouldings 56-64

- Federal 57
- Colonial 58
- Greek Revival 59
- Art Deco 60
- Wren & Georgian 61-62
- Tudor 63
- Victorian 64



AB001 6, 49	AB135 46	AB409 18	AB/HM9101 57
AB002 41	AB136 10, 38	AB409PVC 27	AB/HM9201 57
AB003 6	AB136-3 10, 38	AB410 52	AB/HM9301 57
AB004 41, 48	AB137 11	AB501 . . . 19, 37, 39	AB/HM9401 57
AB005 41	AB138 47	AB501PVC 28	
AB006 6, 14	AB139 47	AB501-4 19	AB/HM9102 58
AB008 41	AB201 47	AB501-4PVC 27	AB/HM9202 58
AB009 6, 15, 36	AB202 47	AB502 53	AB/HM9302 58
AB010 6, 14, 37	AB203 13	AB503 20, 36	AB/HM9402 58
AB020 41	AB204 13, 36	AB503PVC 29	
AB021 6	AB205-1 48	AB504 20, 36	AB/HM9103 59
AB022 41	AB205-2 48	AB504PVC 29	AB/HM9203 59
AB023 7	AB206 . . . 14, 37, 39	AB505 21	AB/HM9203-1 59
AB025 7, 12, 38, 39	AB207-1 48	AB506 53	AB/HM9303 59
AB026 7, 13, 36, 49	AB207-2 48	AB507 53	AB/HM9403-1 59
AB027 7, 37	AB207-3 48	AB508 53	AB/HM9403-2 59
AB027-2 7	AB208 48	AB509 . . . 22, 37, 39	
AB028 7, 38, 49	AB209 48	AB509PVC 28	AB/HM9104 60
AB101 42	AB210-1 49	AB601 54	AB/HM9204 60
AB102 42	AB210-2 49	AB602 11, 22	AB/HM9304 60
AB103 42	AB211 49	AB603 54	AB/HM9404 60
AB104 42	AB212 33	AB604 54	
AB105 42	AB212-1 . . 14, 37, 39	AB605 54	AB/HM9105 5
AB106 43	AB212-7 14, 37	AB606 54	AB/HM9105-3 5
AB107 43	AB213 49	AB61 55	AB/HM9205 5
AB108 43	AB214 49	AB62 55	AB/HM9205-5 5
AB109 8	AB219 . . 15, 33, 36, 38	AB63 56	AB/HM9305 5
AB110 8, 33, 38	AB301 16	AB64 56	AB/HM9405 5
AB111 12, 38	AB302 50	AB65-1 8, 25	
AB111-7 12	AB303 16, 39	AB66 55	AB/HM9106 61
AB112 43	AB304 50	AB67 55	AB/HM9206 61
AB113 43	AB305 50	AB68-3 23	AB/HM9306 61
AB114 43	AB307 50	AB68-4 23	AB/HM9406 61
AB115 44	AB308 50	AB69 24	
AB116 44	AB309 50	AB701 32	AB/HM9107 62
AB118 44	AB310 16, 33	AB702 32	AB/HM9207 62
AB121 44	AB311 16, 33, 38	AB703 32	AB/HM9307 62
AB123 44	AB311-2 16, 32	AB704 32	AB/HM9407 62
AB124 45	AB311-3 16, 32	AB705 32	
AB125 45	AB311-BN 15	AB705 32	AB/HM9109 63
AB126 45	AB401 51	AB725 32	AB/HM9209 63
AB127 45	AB402 . . . 17, 37, 38	AB76 4, 25, 31	AB/HM9309 63
AB128 8, 36	AB402PVC 26	AB81 56	AB/HM9409 63
AB129 8, 36	AB402-4 17, 39	AB82 24, 39	
AB130 45	AB402-4PVC 26	AB83 56	AB/HM9110 64
AB131 45	AB402-6 18	AB84-4 24, 39	AB/HM9210 64
AB132 9, 37	AB403 51	AB85 56	AB/HM9310 64
AB132-2 9, 37	AB404 51	AB86 25	AB/HM9410 64
AB132-4 9, 37	AB405 17	AB87 56	
AB133 46	AB406 51	AB907 8	ABNICK6 4, 31
AB134 46	AB407 52	AB909 12	ABNICK8 4, 31
AB134-5 9, 37	AB408 21, 36	AB96-1 25	



Stock Mouldings



This section displays the A & B Mouldings that are in-stock. The legend indicates the species in which they are available. Of course, **all of these profiles can be manufactured in ANY TYPE OF WOOD SPECIES**, but are considered special orders.

Gesso Primer

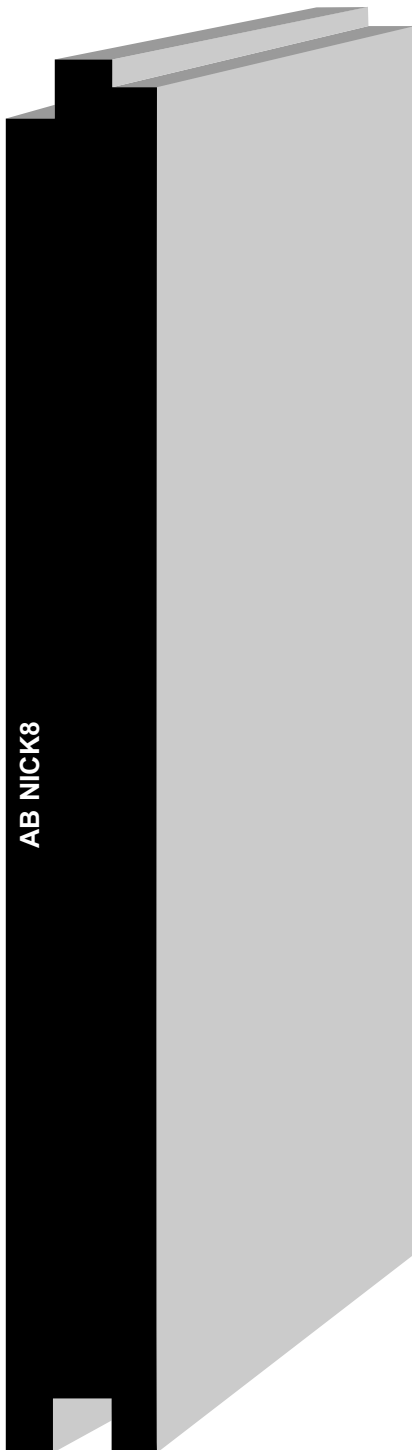
Gesso clay coat is a type of primer, which covers the moulding with a smooth, plaster-like surface coating. The mix or batch, which is applied to the surface, is a blend of paints, primers, plaster and oils which act like the “mud mix” a contractor uses on a plaster wall. The Gesso coating is applied by passing the moulding under a waterfall of the liquid mix primer and then sent through a die cast profile, which produces the consistent skim coating on the profile. The moulding is then sent to dry and packaged for delivery.

The benefits of Gesso are the moulding is ready for painting with little preparation and only one coat of quality paint is needed to cover the moulding. It is the teeth that hold the paint to the surface. Gesso also reduces any telegraphing of flaws or imperfections from the wood substrate.

Gesso is typically only for interior use. Here at A&B, we have many of our profiles available in stock with exterior grade, waterproof, Gesso primer.

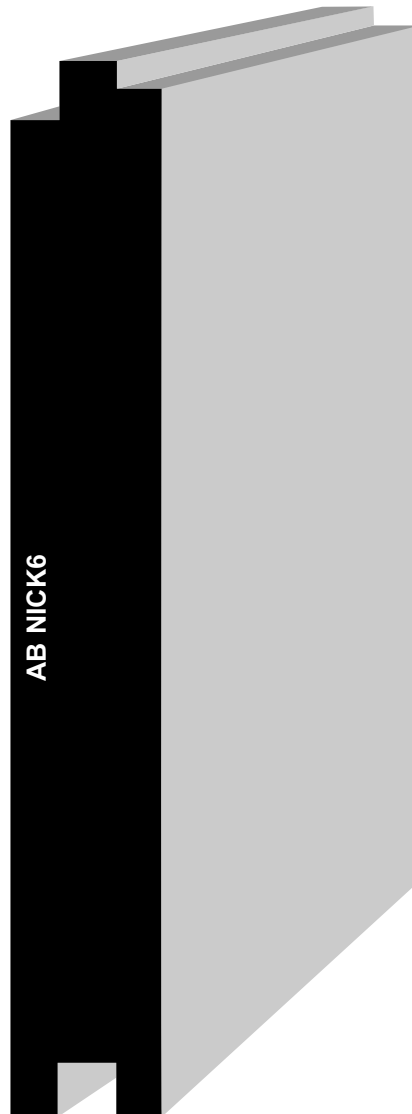


New Items!



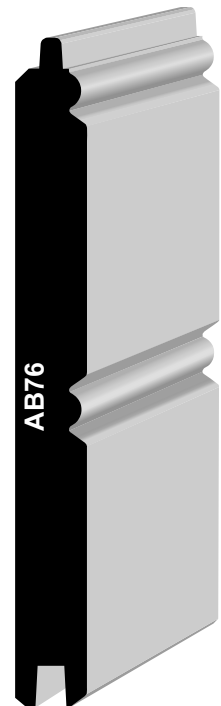
AB NICK8

Nickel Gap
3/4" x 7-1/4" **PFJ**
Exterior Gesso Primer



AB NICK6

Nickel Gap
3/4" x 5-1/2" **PFJ**
Exterior Gesso Primer



AB76

Wainscot
3/8" x 3-1/2" **PFJ**
Exterior Gesso Primer

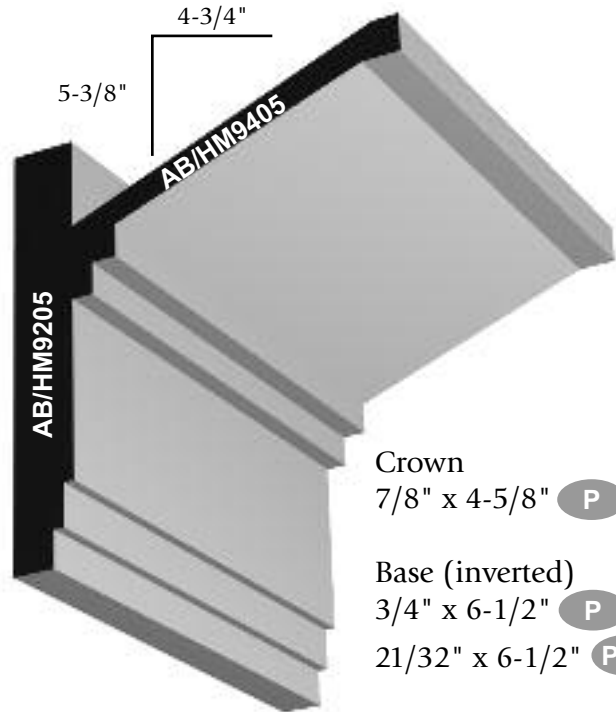
P Poplar	PFJ Primed Finger Jointed	Other Species, and Flex, available by Special Order
-----------------	----------------------------------	---



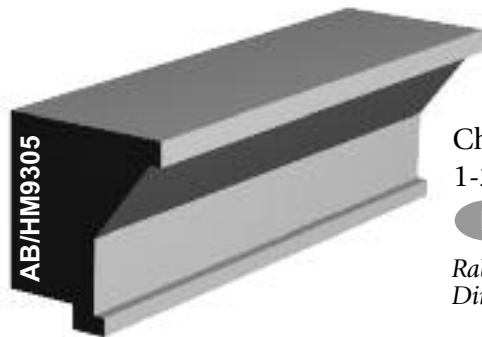
Casing
13/16" x 3-1/2"
P PFJ



Casing
1" x 4-15/32"
P PFJ



Crown
7/8" x 4-5/8" P PFJ
Base (inverted)
3/4" x 6-1/2" P
21/32" x 6-1/2" PFJ



Chair Rail
1-3/4" x 2"
P PFJ
Rabbit
Dimension: 3/4"



Base
3/4" x 6-1/2" P
21/32" x 6-1/2" PFJ



Base
3/4" x 5" P
21/32" x 5" PFJ

Shoe 1/2" x 1"
P PFJ

Shoe 1/2" x 1"
P PFJ

P Poplar PFJ Primed Finger Jointed Other Species, and Flex, available by Special Order

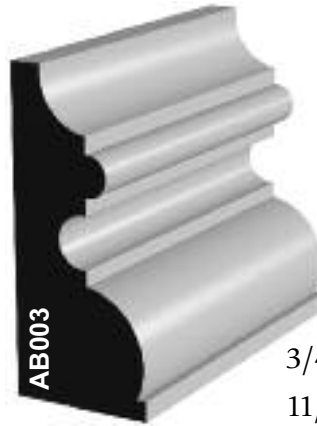


STOCK MOULDINGS



AB001

3/4" x 1-7/8" **P**
11/16" x 1-7/8" **PFJ**



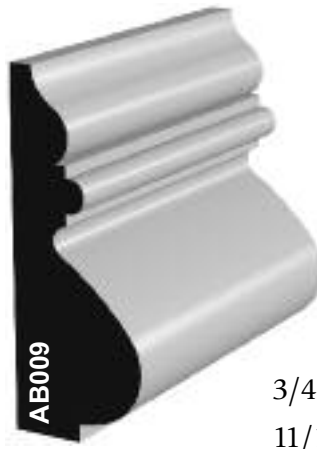
AB003

3/4" x 1-3/4" **P**
11/16" x 1-3/4" **PFJ**



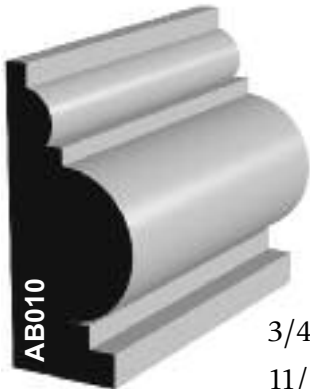
AB006

3/4" x 1-3/8" **P**
11/16" x 1-3/8" **PFJ**



AB009

3/4" x 1-7/8" **P**
11/16" x 1-7/8" **PFJ**



AB010

3/4" x 1-5/8" **P**
11/16" x 1-5/8" **PFJ**



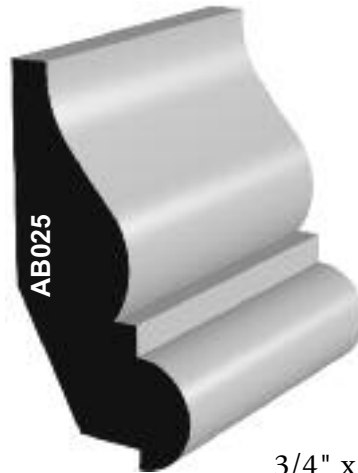
AB021

1-1/8" x 2-3/8" **P** **PFJ**
Rabbet Dimension: 3/4"

P Poplar	PFJ Primed Finger Jointed	Other Species, and Flex, available by Special Order
-----------------	----------------------------------	---



1-1/8" x 2-7/8" **P** **PFJ**
Rabbit Dimension: 3/4"



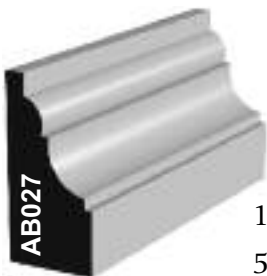
3/4" x 2-1/16" **P**
11/16" x 2-1/16" **PFJ**
Rabbit Dimension: 3/4"



5/8" x 1-13/16" **P** **PFJ**



1/2" x 1-3/4" **P** **PFJ**



1/2" x 1" **P**
5/8" x 1" **PFJ**



1/2" x 1" **P** **PFJ**

P Poplar	PFJ Primed Finger Jointed	Other Species, and Flex, available by Special Order
-----------------	----------------------------------	---

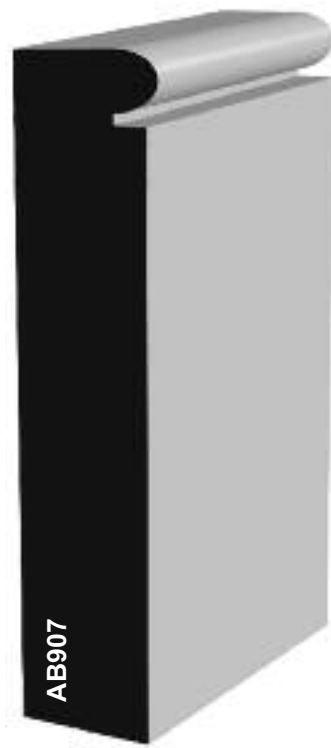


STOCK MOULDINGS



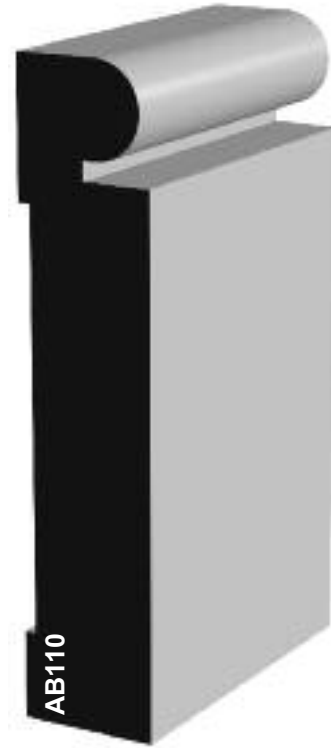
AB109

3/4" x 3" **P**
11/16" x 3" **PFJ**



AB907

3/4" x 3-1/2" x 17'
PFJ



AB110

3/4" x 3-1/2" **P** **MDF**
11/16" x 3-1/2" **PFJ**



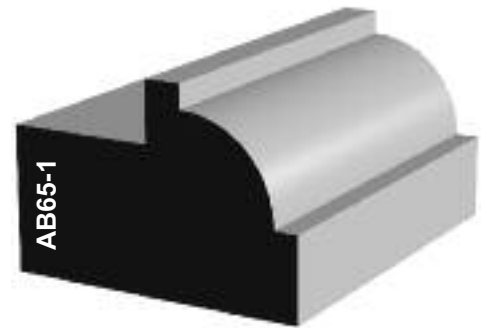
AB129

1-1/16" x 4-3/8"
P **PFJ**



AB128

3/4" x 3-1/2" **P**
11/16" x 3-1/2" **PFJ** **MDF**

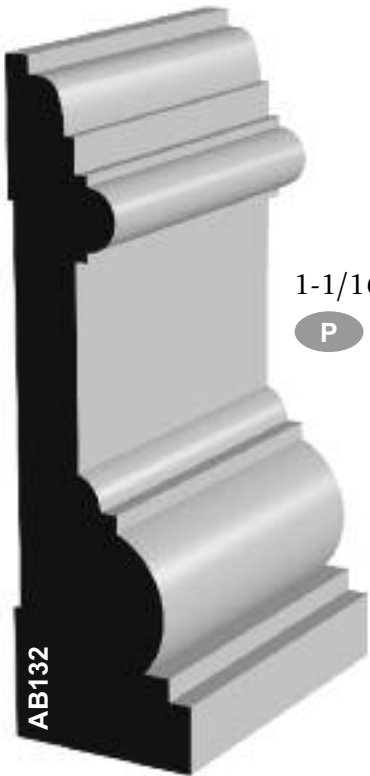


AB65-1

Backband
1-1/8" x 1-9/16" **P** **PFJ**

Rabbet Dimensions:
P = 3/4" / PFJ = 21/32"

P Poplar	PFJ Primed Finger Jointed	MDF Medium Density Fibreboard	Other Species, and Flex, available by Special Order
-----------------	----------------------------------	--------------------------------------	---



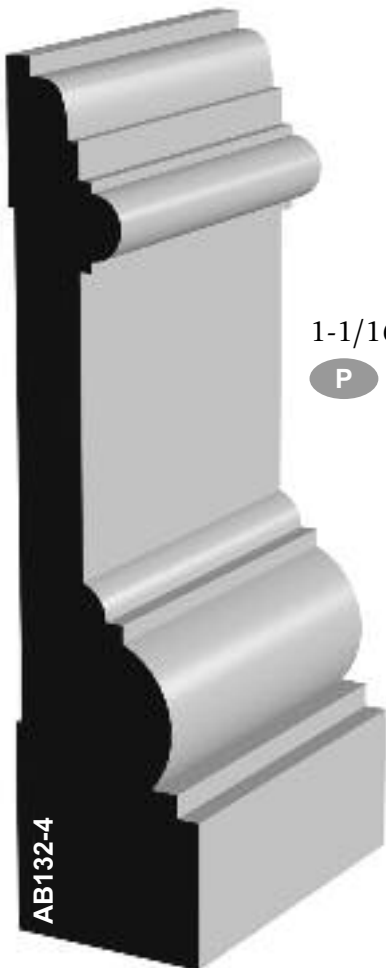
1-1/16" x 3-5/8"
P PFJ MDF

AB132



1 1/16" x 2-1/2"
P PFJ MDF

AB132-2



1-1/16" x 4-1/2"
P PFJ MDF

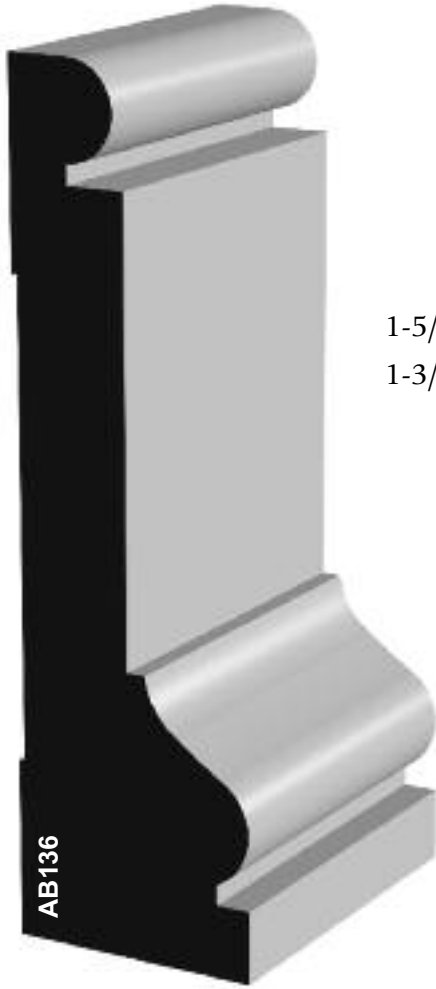
AB132-4



1-1/16" x 5-1/2"
P PFJ

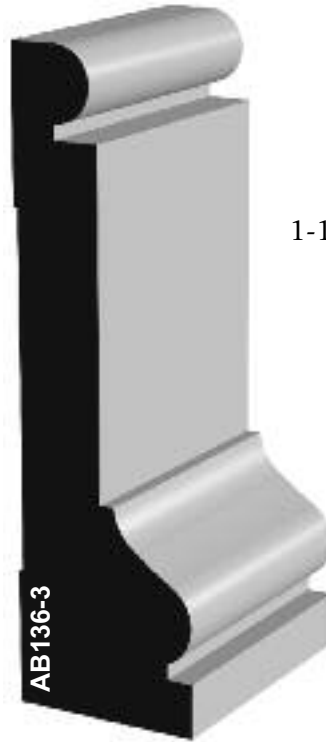
AB134-5

P Poplar	PFJ Primed Finger Jointed	MDF Medium Density Fibreboard	Other Species, and Flex, available by Special Order
-----------------	----------------------------------	--------------------------------------	---



AB136

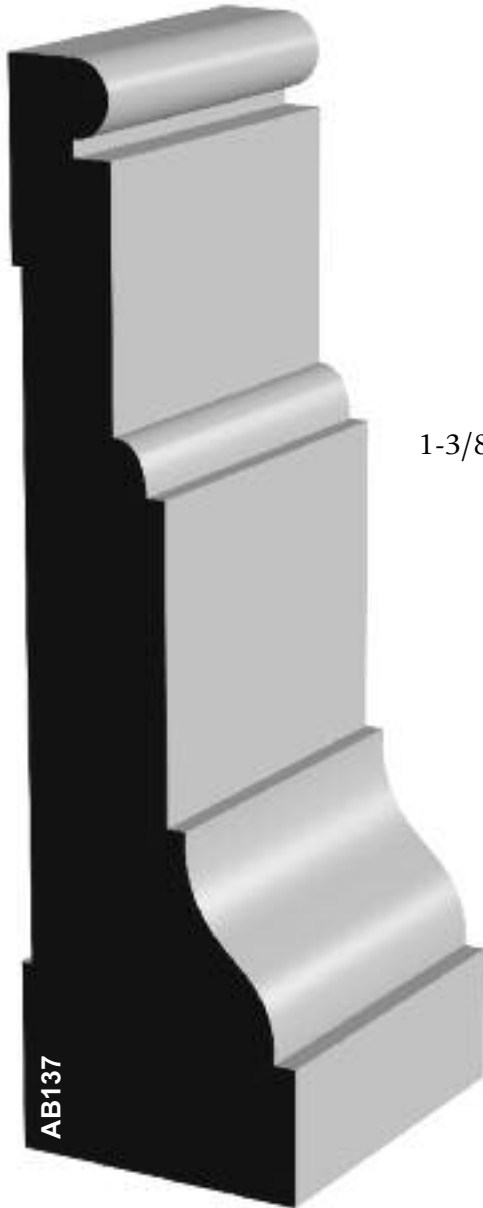
1-5/16" x 4-1/2" **P**
1-3/16" x 4-1/2" **PFJ** **MDF**



AB136-3

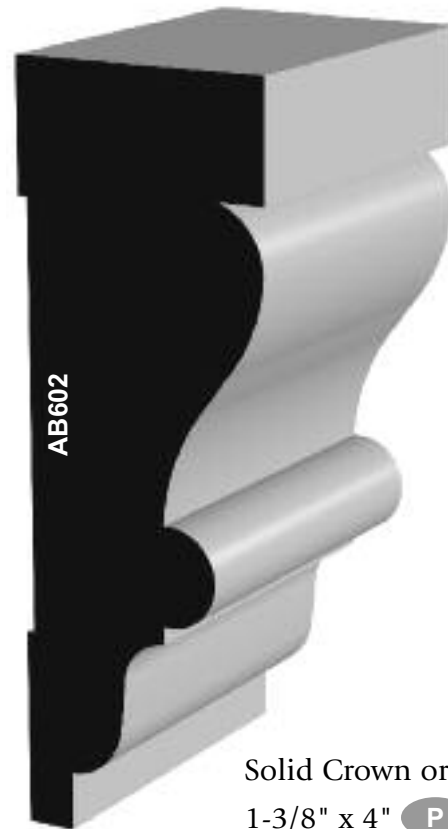
1-1/16" x 3-1/2" **P** **PFJ** **MDF**

P Poplar	PFJ Primed Finger Jointed	MDF Medium Density Fibreboard	Other Species, and Flex, available by Special Order
-----------------	----------------------------------	--------------------------------------	---



AB137

1-3/8" x 5-1/2" P PFJ



AB602

Solid Crown or Casing
1-3/8" x 4" P PFJ

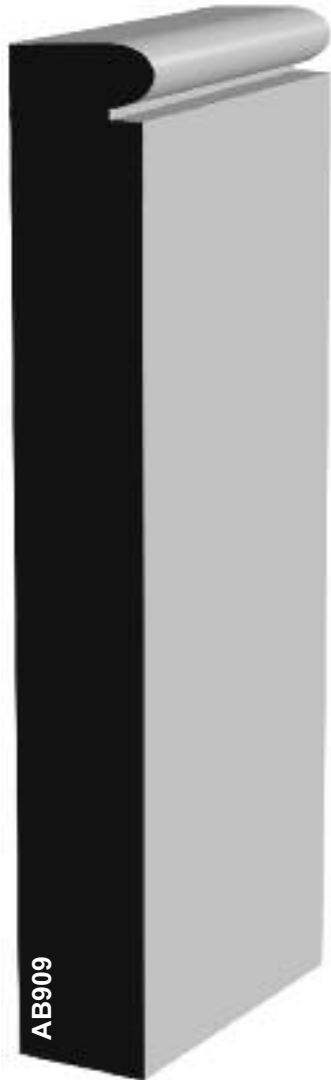
P Poplar	PFJ Primed Finger Jointed	Other Species, and Flex, available by Special Order
-----------------	----------------------------------	---



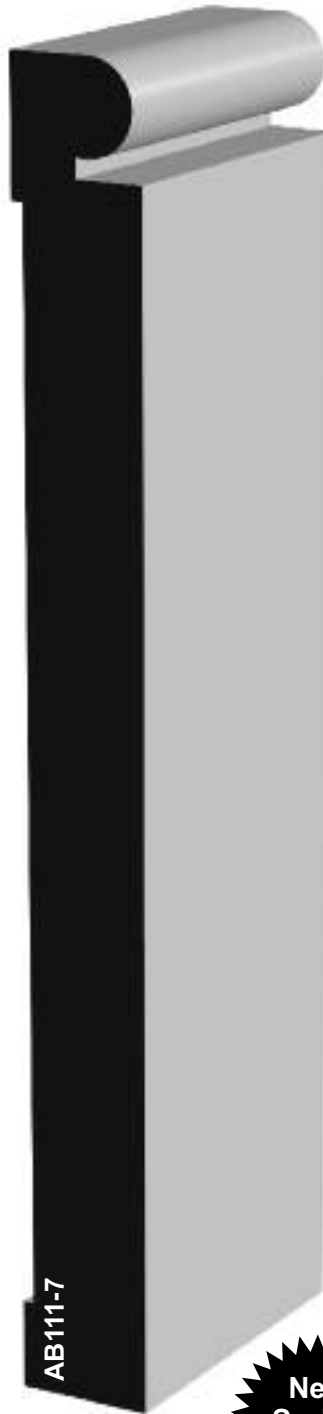
STOCK MOULDINGS



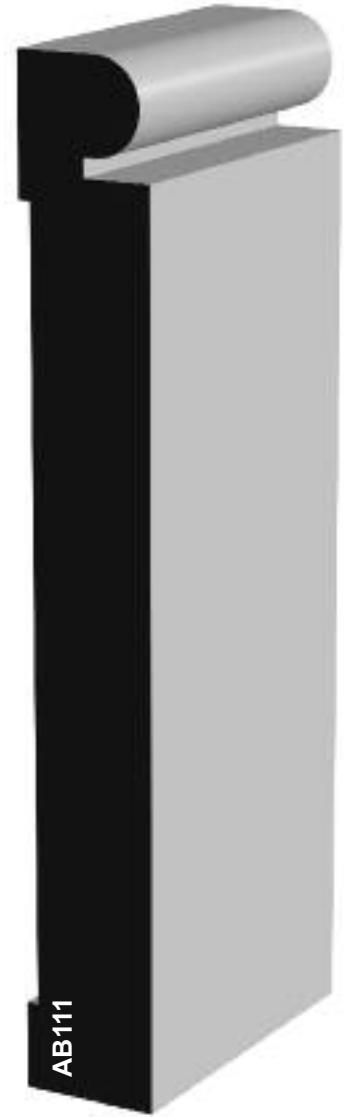
Panel
 3/4" x 2-1/16" **P**
 11/16" x 2-1/16" **PFJ**
 Rabbet Dimension: 3/4"



Baseboard
 3/4" x 5-1/4" x 18' **PFJ**

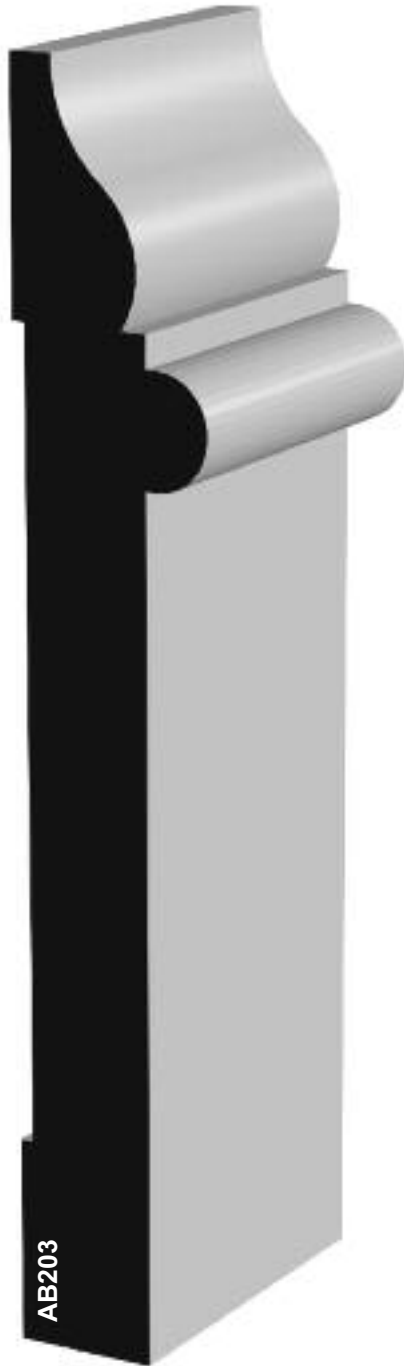


Baseboard
 3/4" x 7" **P**
 11/16" x 7" **PFJ**



Baseboard
 3/4" x 5-1/2" **P** **MDF**
 11/16" x 5-1/2" **PFJ**

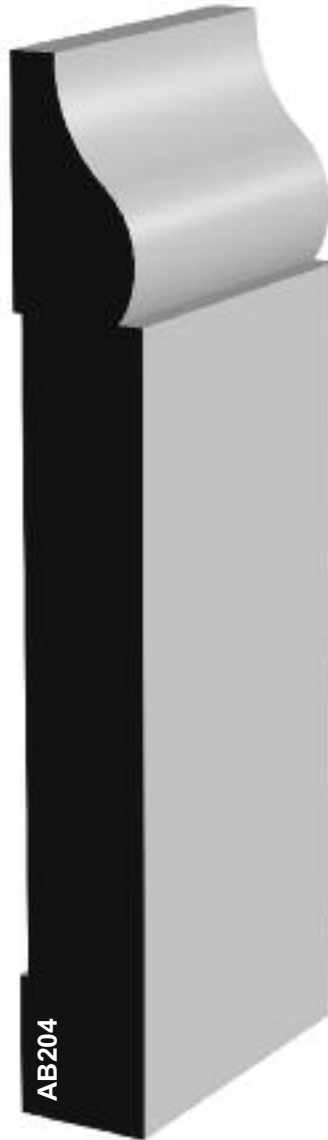
P Poplar	PFJ Primed Finger Jointed	MDF Medium Density Fibreboard	Other Species, and Flex, available by Special Order
-----------------	----------------------------------	--------------------------------------	---



Baseboard
1-1/16" x 6-1/2" **P** **PFJ**



Panel
5/8" x 1-13/16" **P** **PFJ**



Baseboard
3/4" x 5-1/2" **P**
11/16" x 5-1/2" **PFJ**

P Poplar	PFJ Primed Finger Jointed	Other Species, and Flex, available by Special Order
-----------------	----------------------------------	---

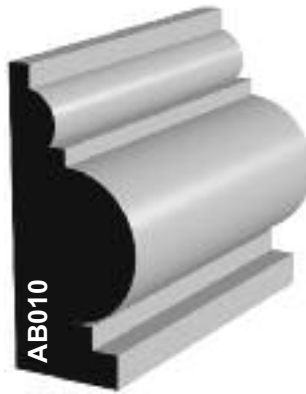


STOCK MOULDINGS



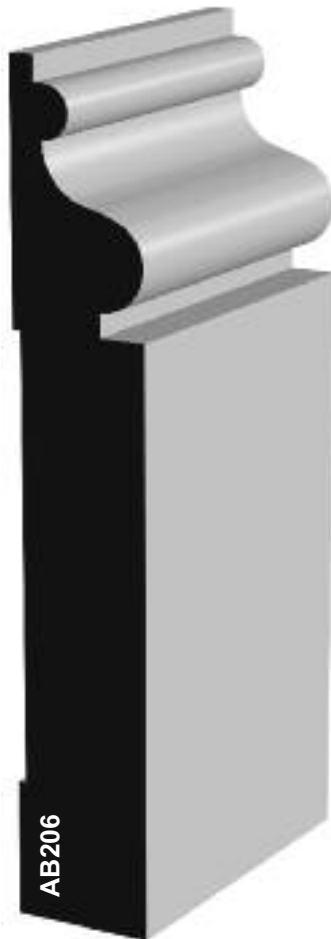
AB006

Panel
 3/4" x 1-3/8" **P**
 11/16" x 1-3/8" **PFJ**



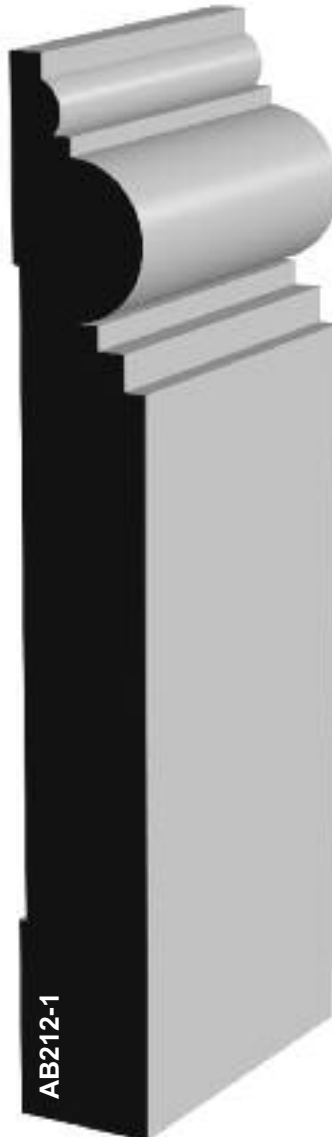
AB010

Panel
 3/4" x 1-5/8" **P**
 11/16" x 1-5/8" **PFJ**



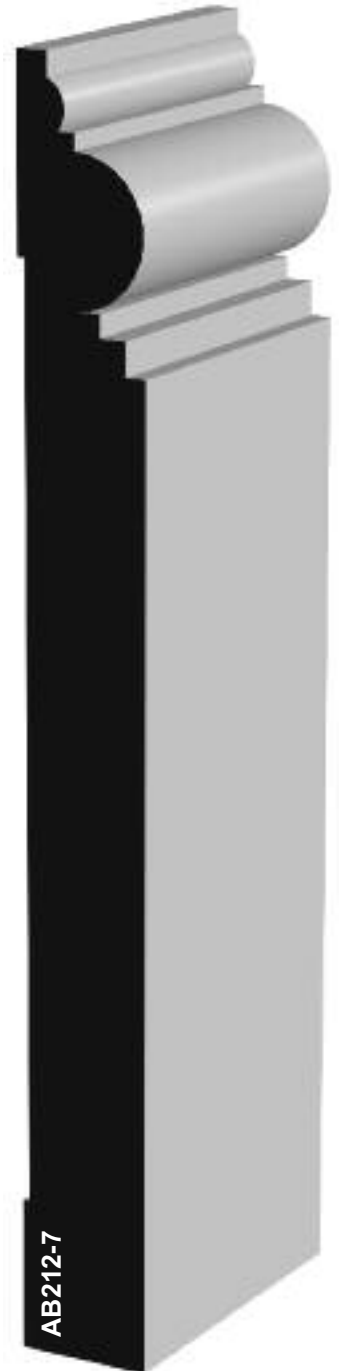
AB206

Baseboard
 3/4" x 4-1/2" **P**
 11/16" x 4-1/2" **PFJ**



AB212-1

Baseboard
 3/4" x 5-1/2" **P** **MDF**
 11/16" x 5-1/2" **PFJ**



AB212-7

Baseboard
 3/4" x 7" **P** **MDF**
 11/16" x 7" **PFJ**

P Poplar **PFJ** Primed Finger Jointed **MDF** Medium Density Fibreboard Other Species, and Flex, available by Special Order



Baseboard
11/16" x 7" **P** **PFJ**



Panel
3/4" x 1-7/8" **P**
11/16" x 1-7/8" **PFJ**



Chair Rail
1-5/16" x 2" **P** **PFJ**
Rabbit Dimension: 3/8"

P Poplar	PFJ Primed Finger Jointed	Other Species, and Flex, available by Special Order
-----------------	----------------------------------	---



STOCK MOULDINGS



AB301

1-1/16" x 3-1/2" P PFJ



AB303

Chair Rail/Ceiling Mould
15/16" x 2-1/2" P PFJ



AB310

1-3/8" x 3-1/2" P PFJ
Rabbet Dimension: 3/4"



AB311

1-5/16" x 2" P PFJ
Rabbet Dimension: 3/4"



AB311-2

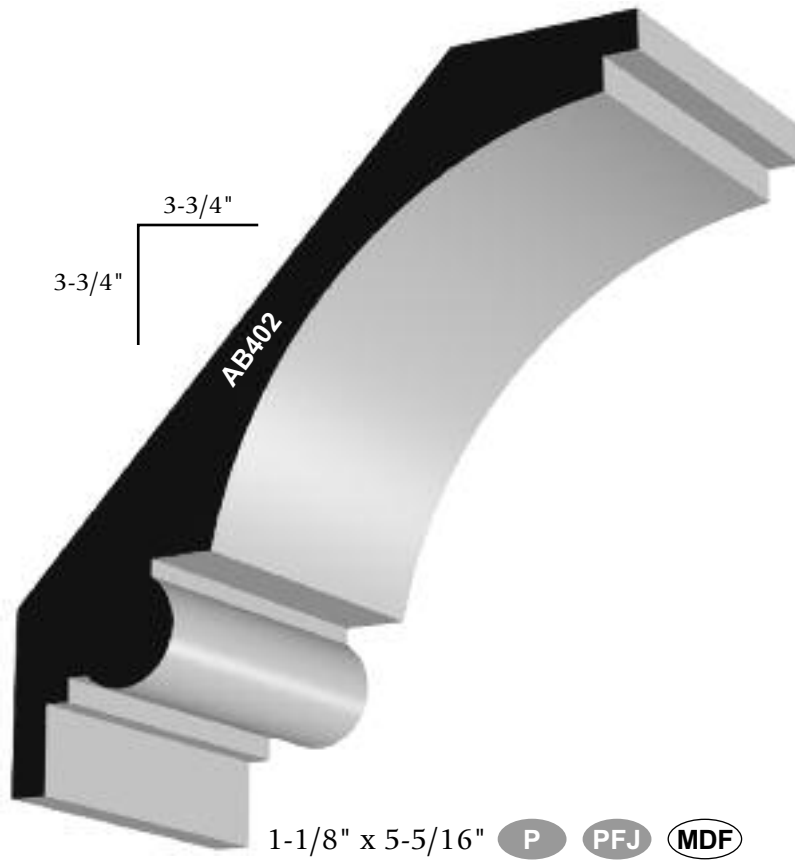
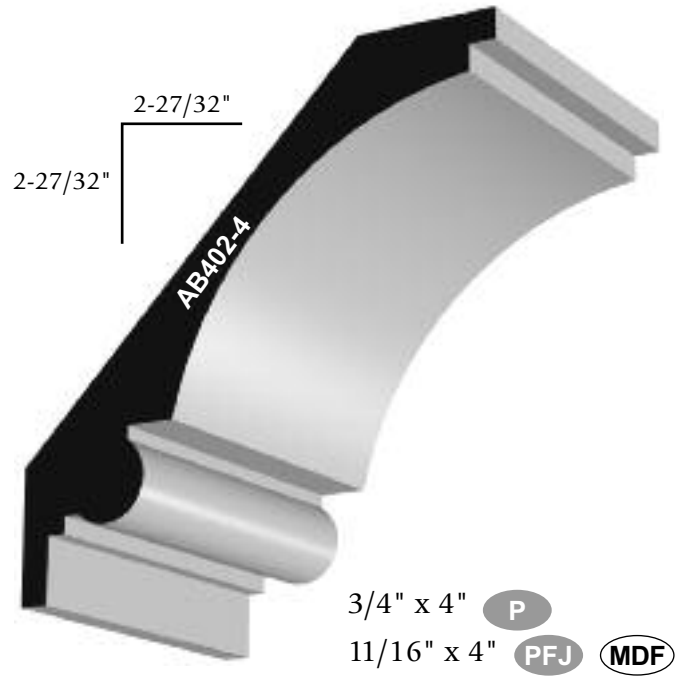
1-1/16" x 2" P PFJ
Rabbet Dimension: 1/2"



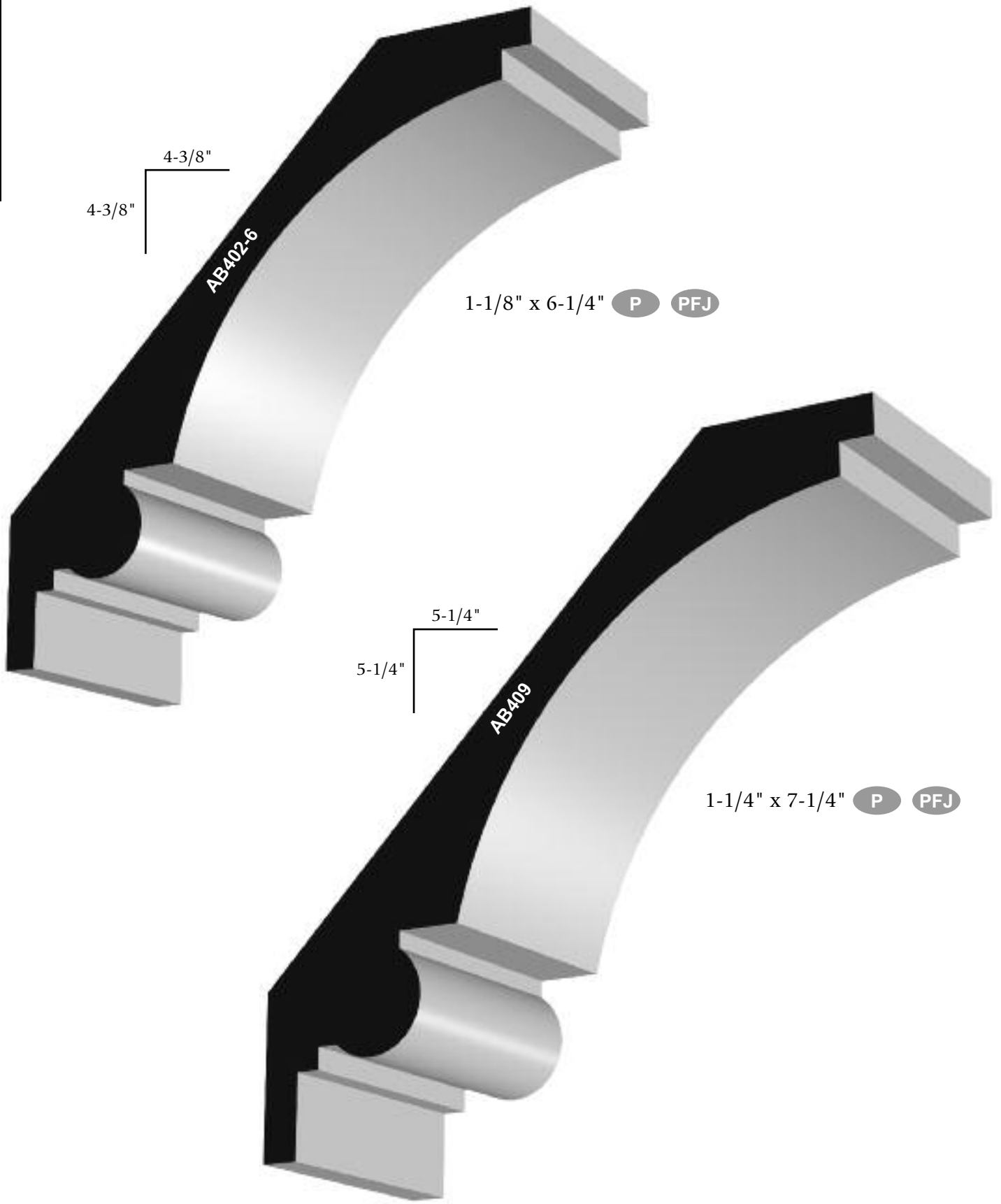
AB311-3

13/16" x 2" P PFJ
Rabbet Dimension: 1/4"

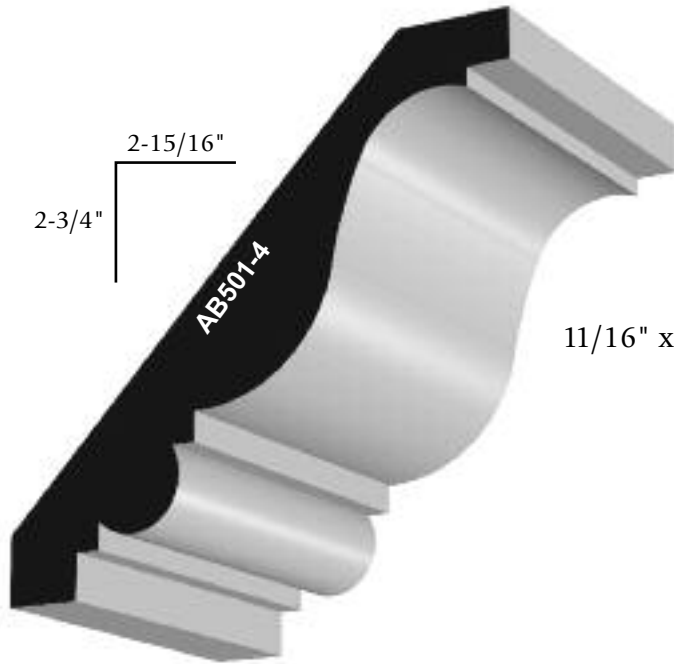
P Poplar	PFJ Primed Finger Jointed	Other Species, and Flex, available by Special Order
-----------------	----------------------------------	---



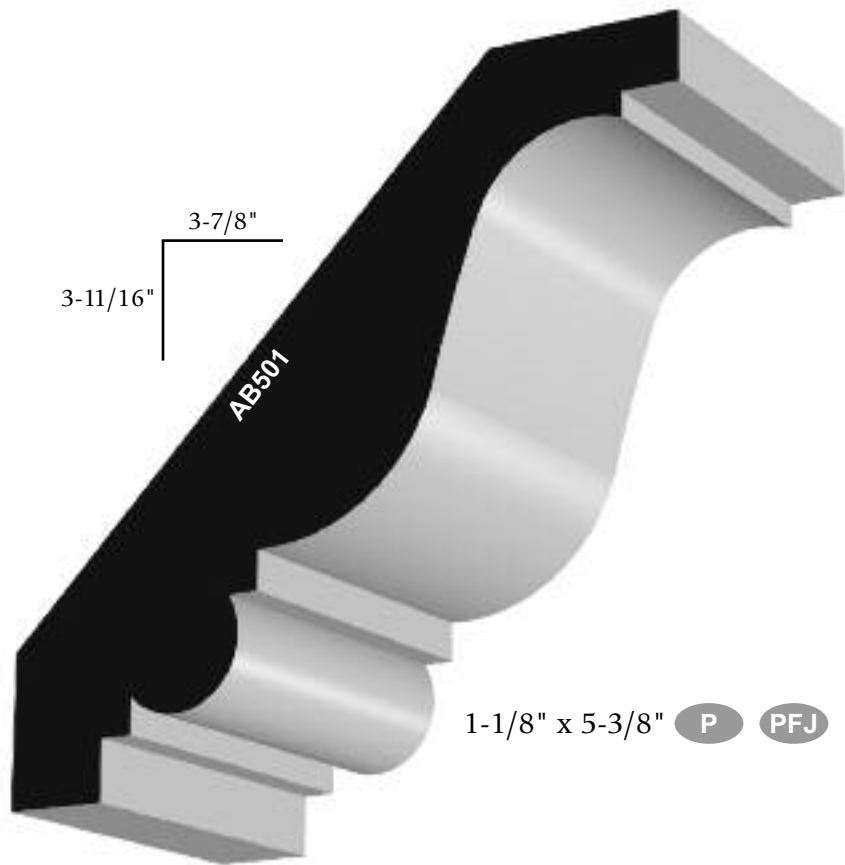
P Poplar	PFJ Primed Finger Jointed	MDF Medium Density Fibreboard	Other Species, and Flex, available by Special Order
-----------------	----------------------------------	--------------------------------------	---



P Poplar	PFJ Primed Finger Jointed	Other Species, and Flex, available by Special Order
-----------------	----------------------------------	---

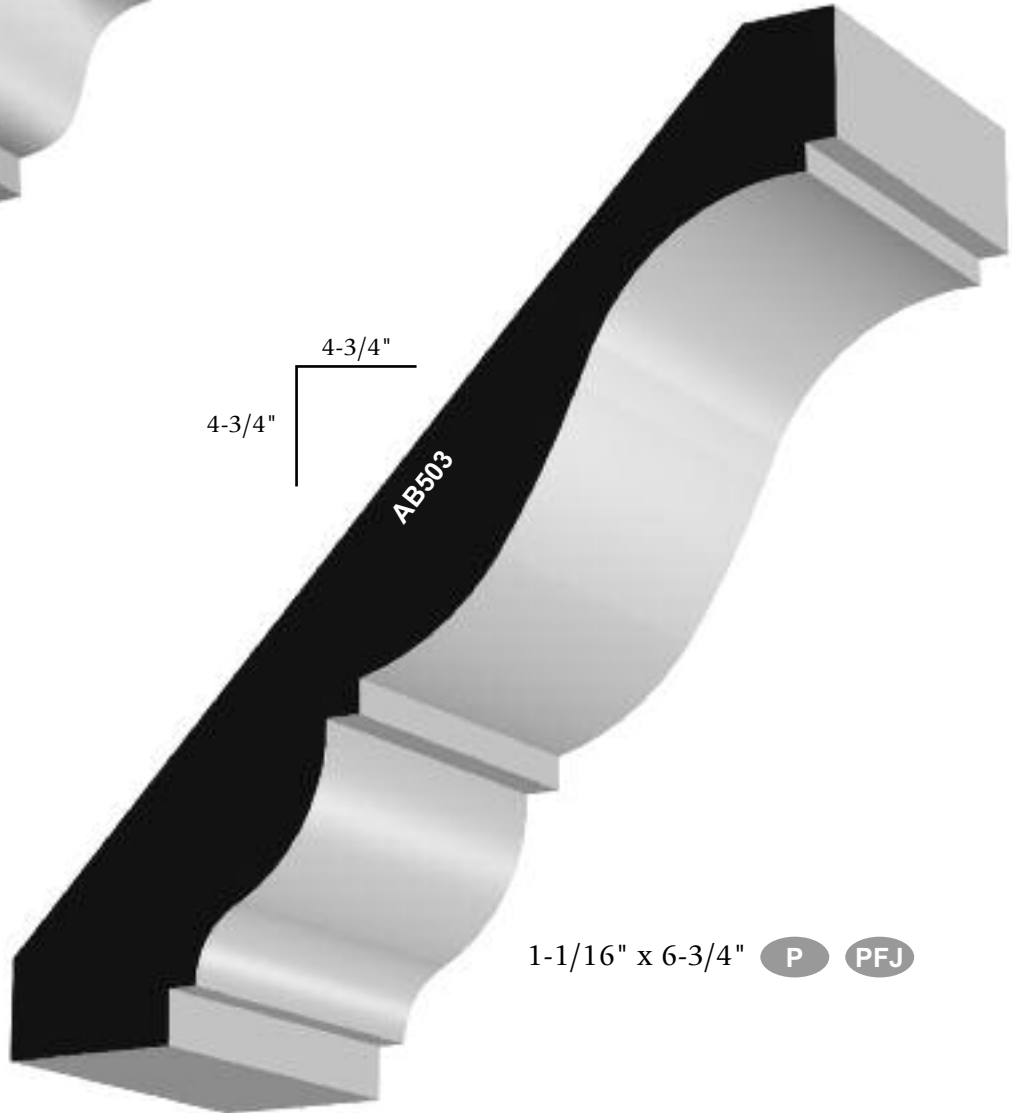
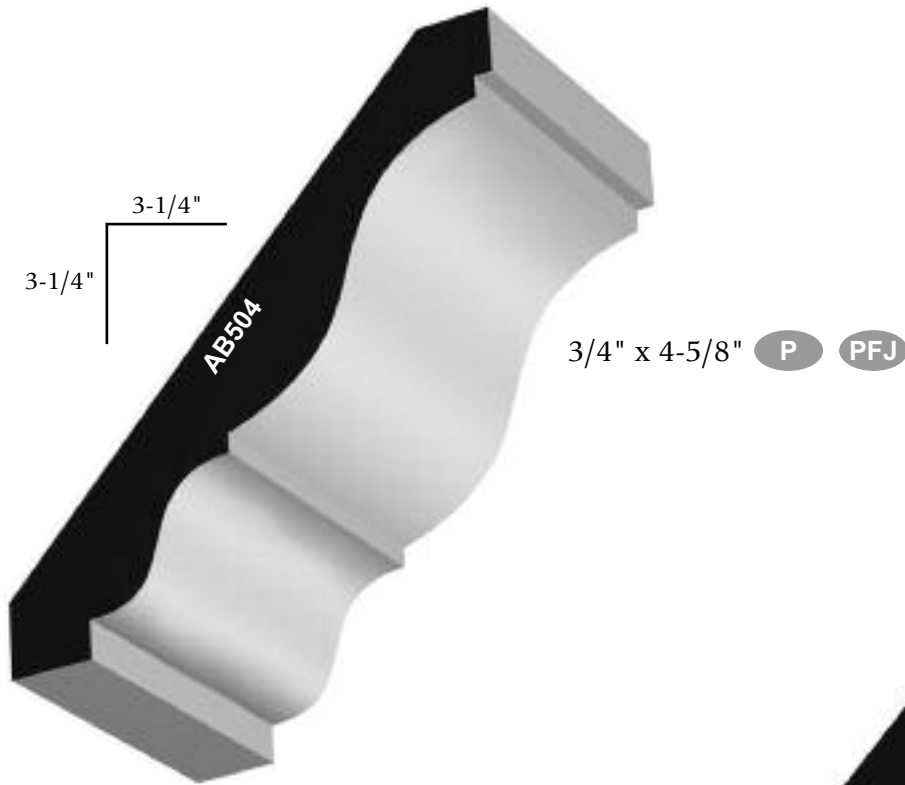


11/16" x 4" **P** **PFJ** **MDF**

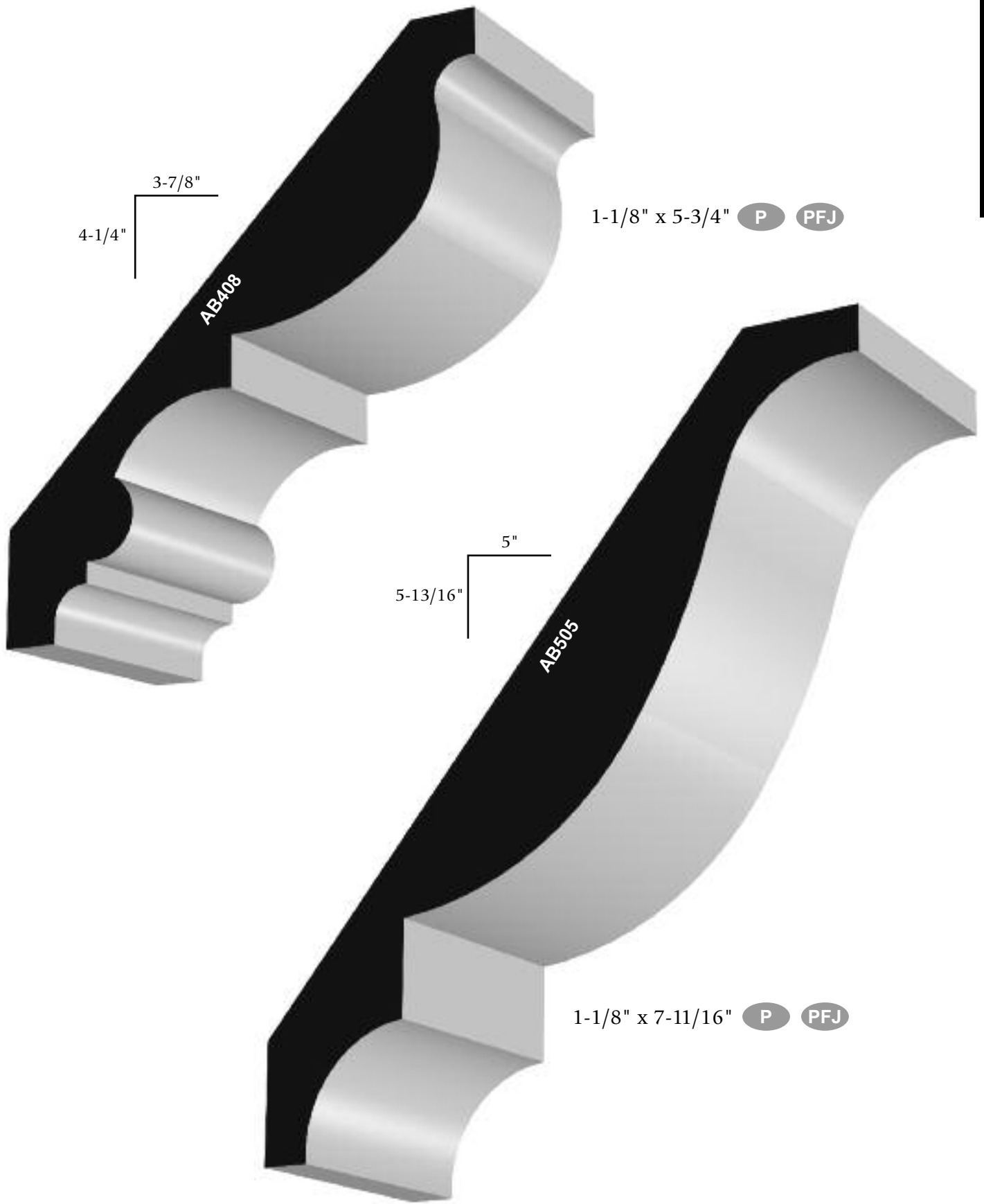


1-1/8" x 5-3/8" **P** **PFJ** **MDF**

P Poplar	PFJ Primed Finger Jointed	MDF Medium Density Fibreboard	Other Species, and Flex, available by Special Order
-----------------	----------------------------------	--------------------------------------	---



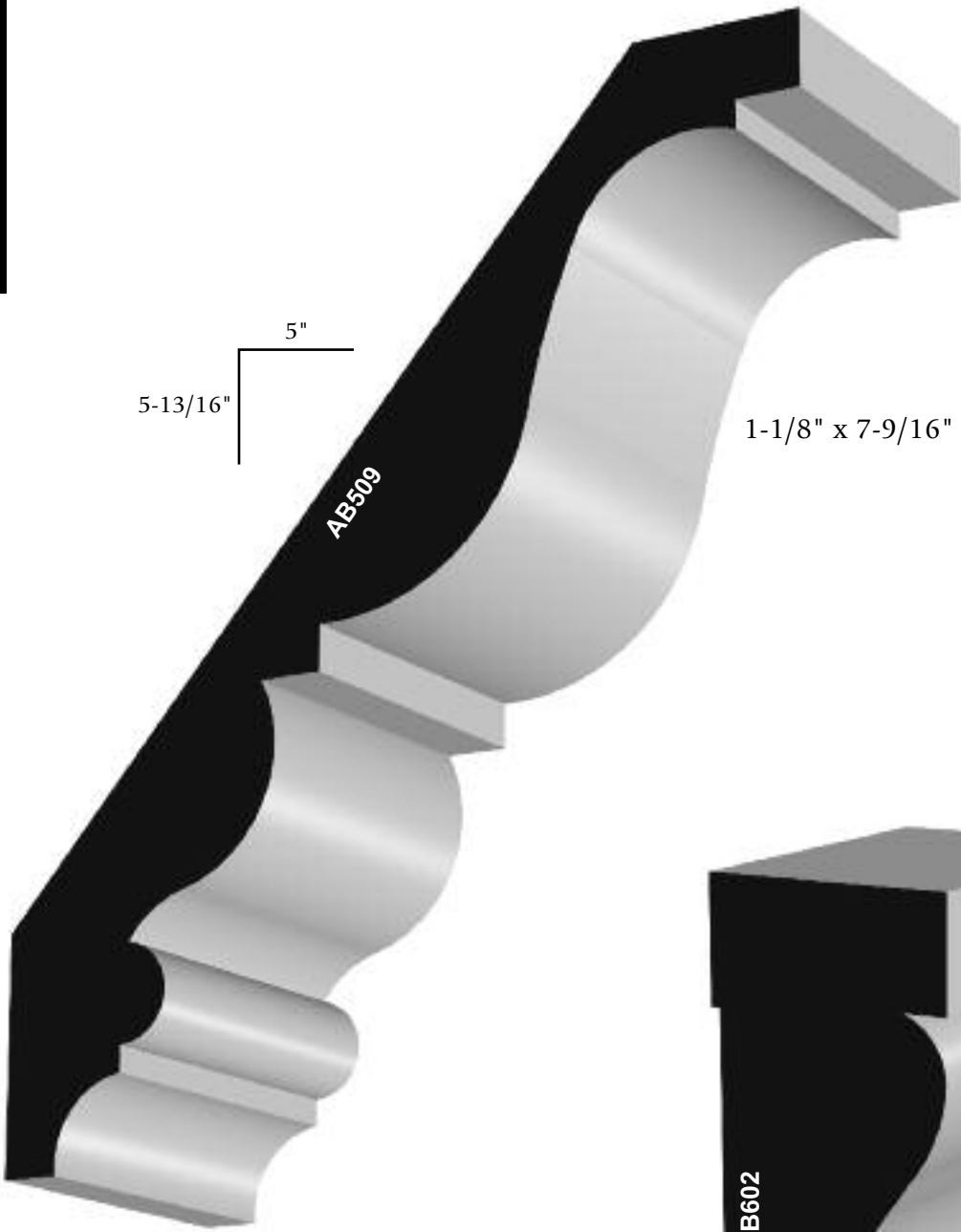
P Poplar	PFJ Primed Finger Jointed	Other Species, and Flex, available by Special Order
-----------------	----------------------------------	---



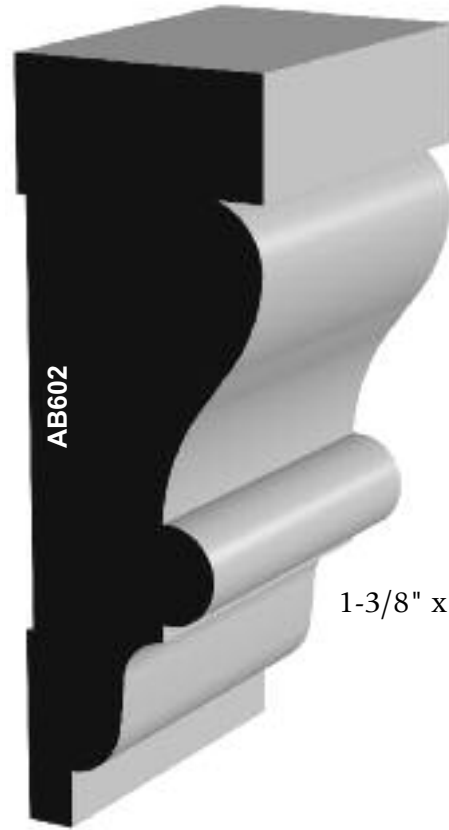
1-1/8" x 5-3/4" P PFJ

1-1/8" x 7-11/16" P PFJ

P Poplar	PFJ Primed Finger Jointed	Other Species, and Flex, available by Special Order
-----------------	----------------------------------	---

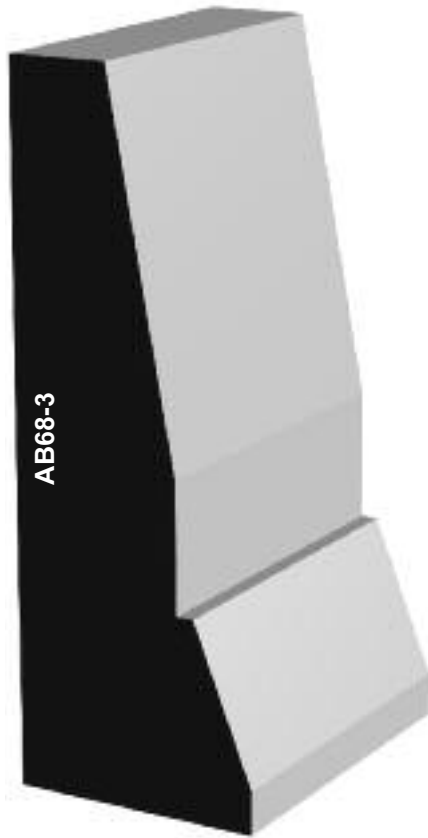


1-1/8" x 7-9/16" **P** **PFJ**

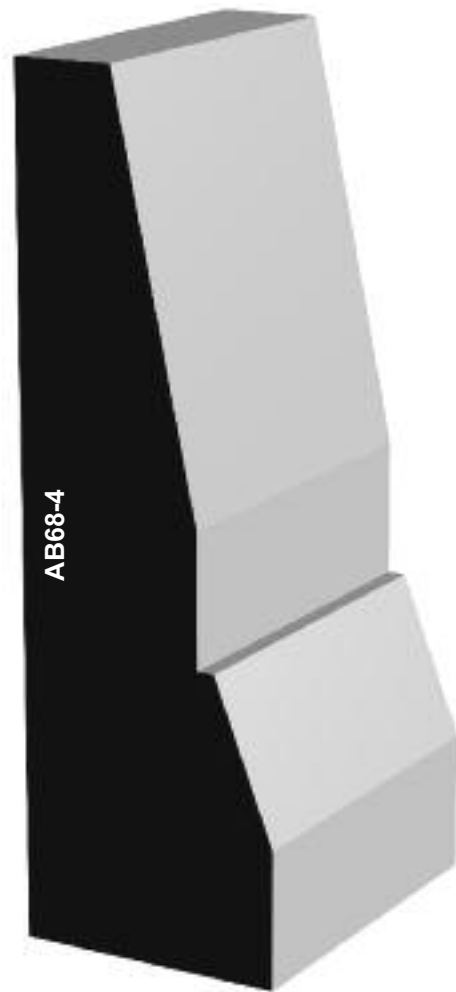


1-3/8" x 4" **P** **PFJ**

P Poplar	PFJ Primed Finger Jointed	Other Species, and Flex, available by Special Order
-----------------	----------------------------------	---



1-3/8" x 3-7/8" **P** **PFJ**

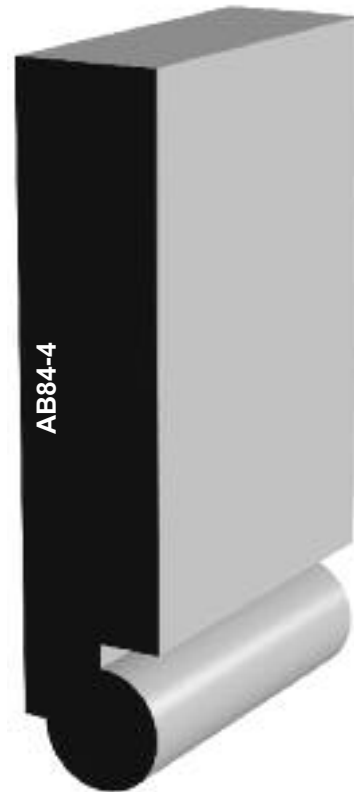


1-3/8" x 4-3/4" **P** **PFJ**

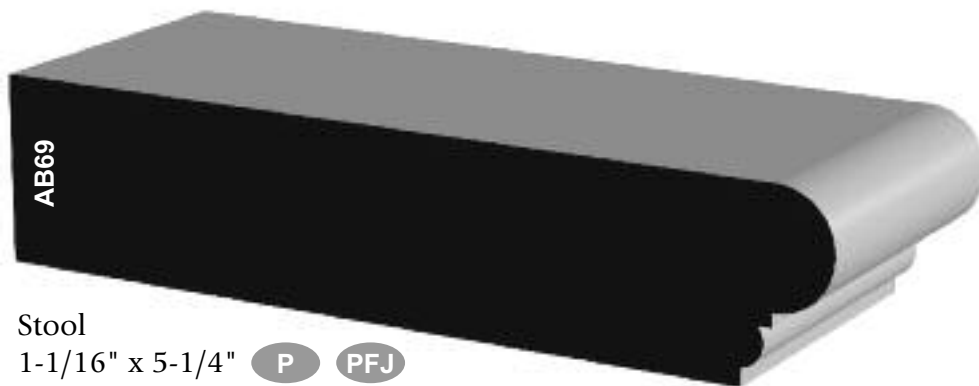
P Poplar	PFJ Primed Finger Jointed	Other Species, and Flex, available by Special Order
-----------------	----------------------------------	---



Crown Extenders
3/4" x 3" **P**
11/16" x 3" **PFJ**

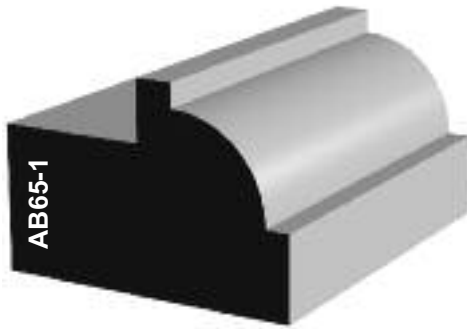


Crown Extenders
3/4" x 3-1/2" **P**
11/16" x 3-1/2" **PFJ**



Stool
1-1/16" x 5-1/4" **P** **PFJ**

P Poplar	PFJ Primed Finger Jointed	Other Species, and Flex, available by Special Order
-----------------	----------------------------------	---



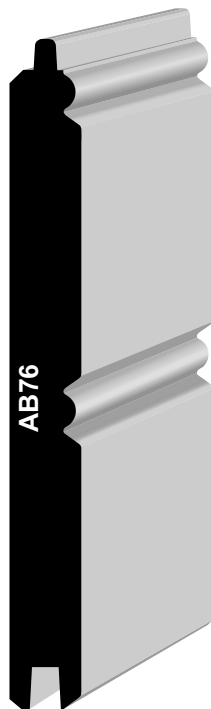
Backband
1-1/8" x 1-9/16" **P** **PFJ**

Rabbet Dimensions:
P = 3/4" / PFJ = 21/32"



Backband
1-1/8" x 1-9/16" **P** **PFJ**

Rabbet Dimensions:
P = 3/4" / PFJ = 21/32"



Wainscot
3/8" x 3-1/2" **PFJ**
Exterior Gesso Primer



Bead
5/8" x 15/16" **P** **PFJ**

P Poplar	PFJ Primed Finger Jointed	Other Species, and Flex, available by Special Order
-----------------	----------------------------------	---

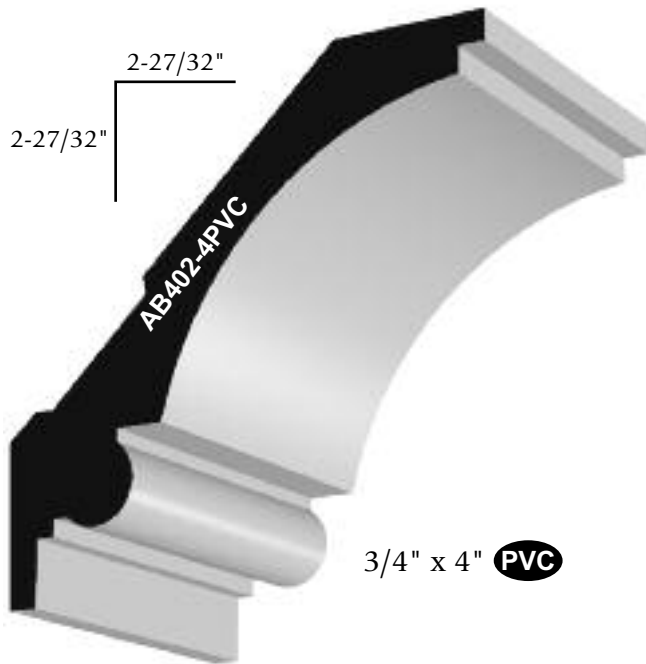


PYRAMID™ PVC

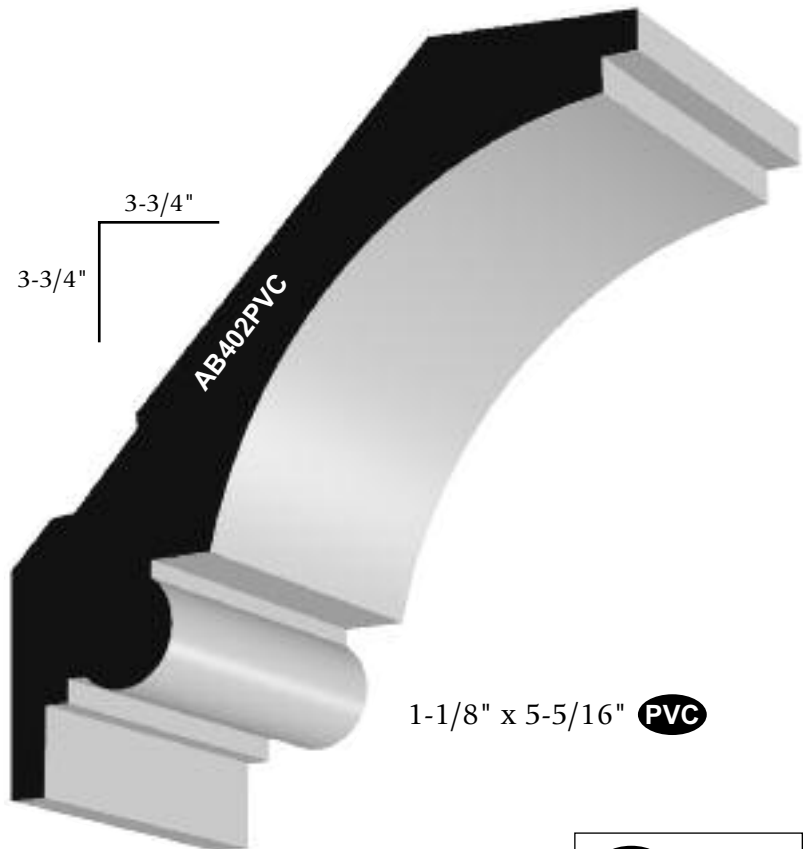
by A&B Wood Design

Exterior Mouldings to Stand the Test of Time

STOCK PVC

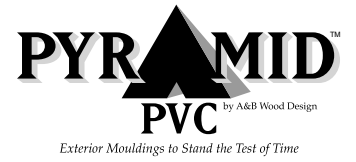


3/4" x 4" PVC

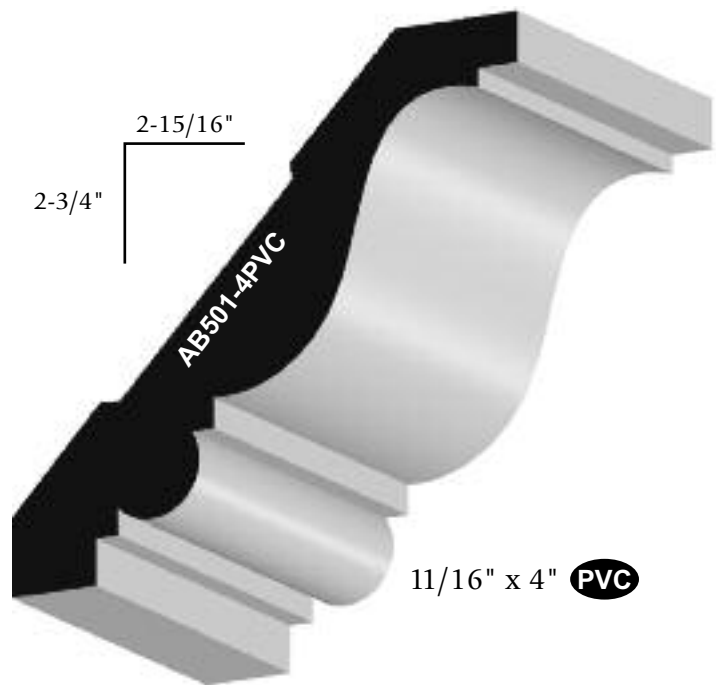
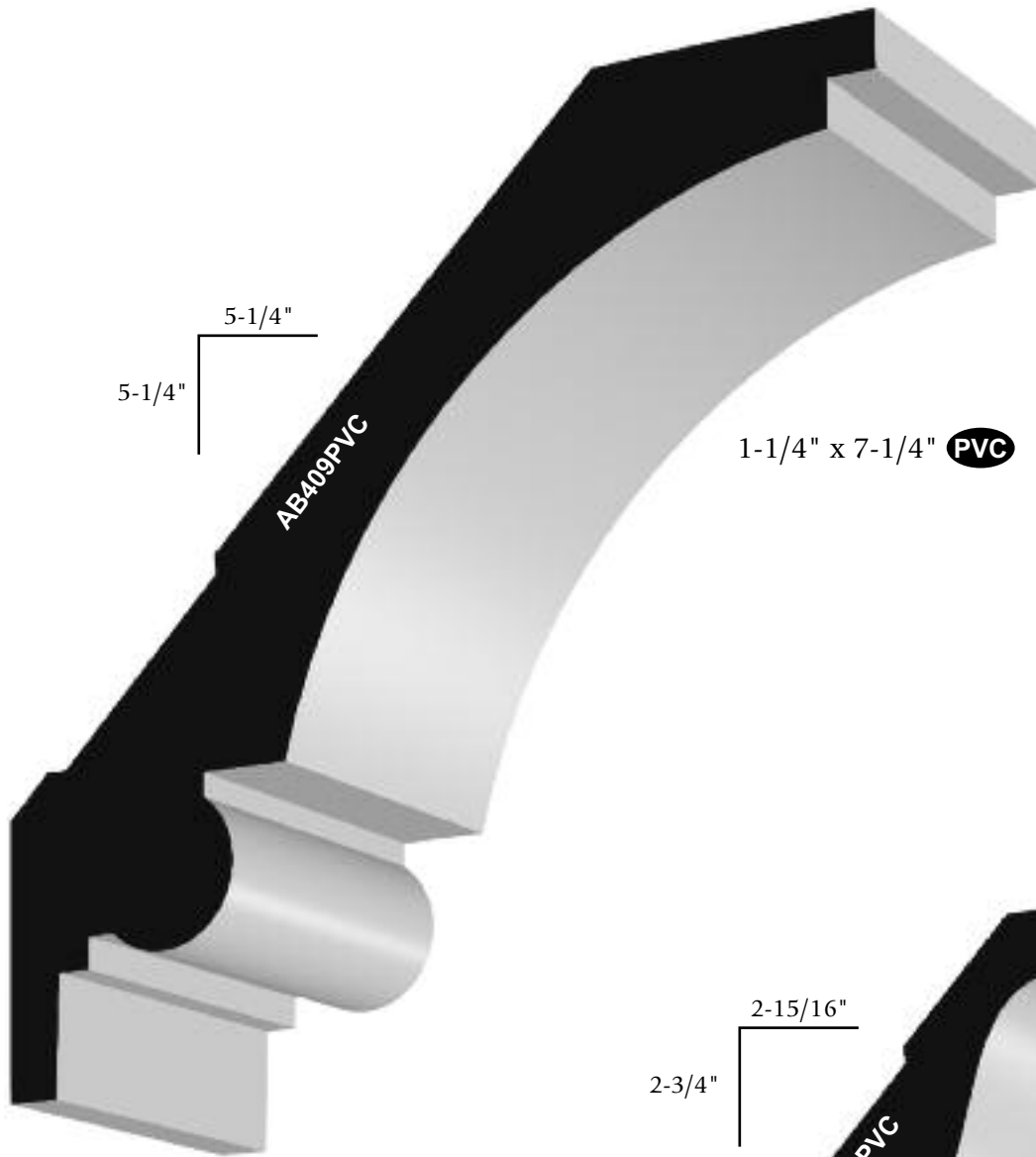


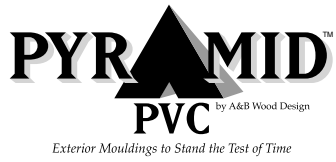
1-1/8" x 5-5/16" PVC

PVC Extruded PVC

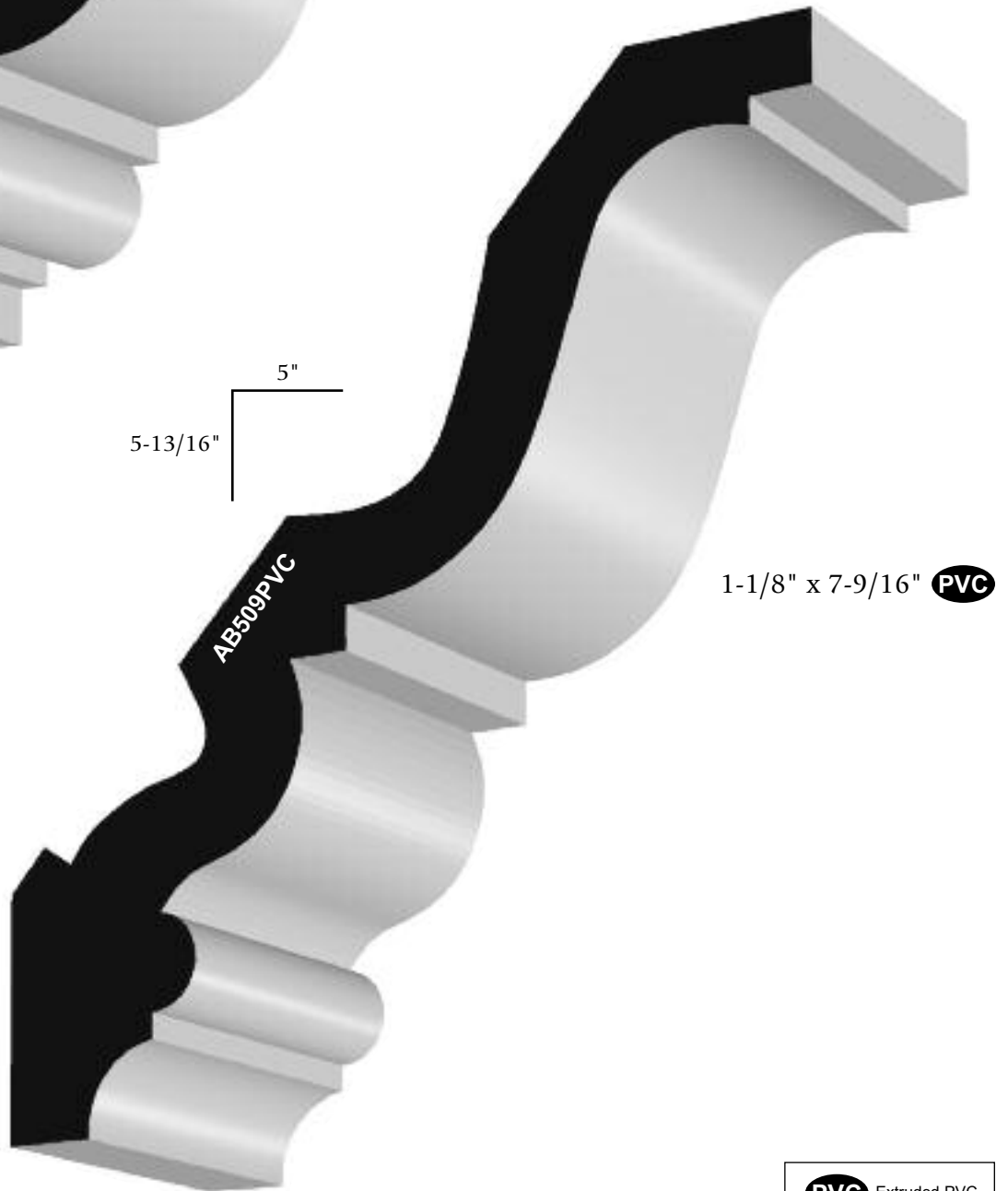
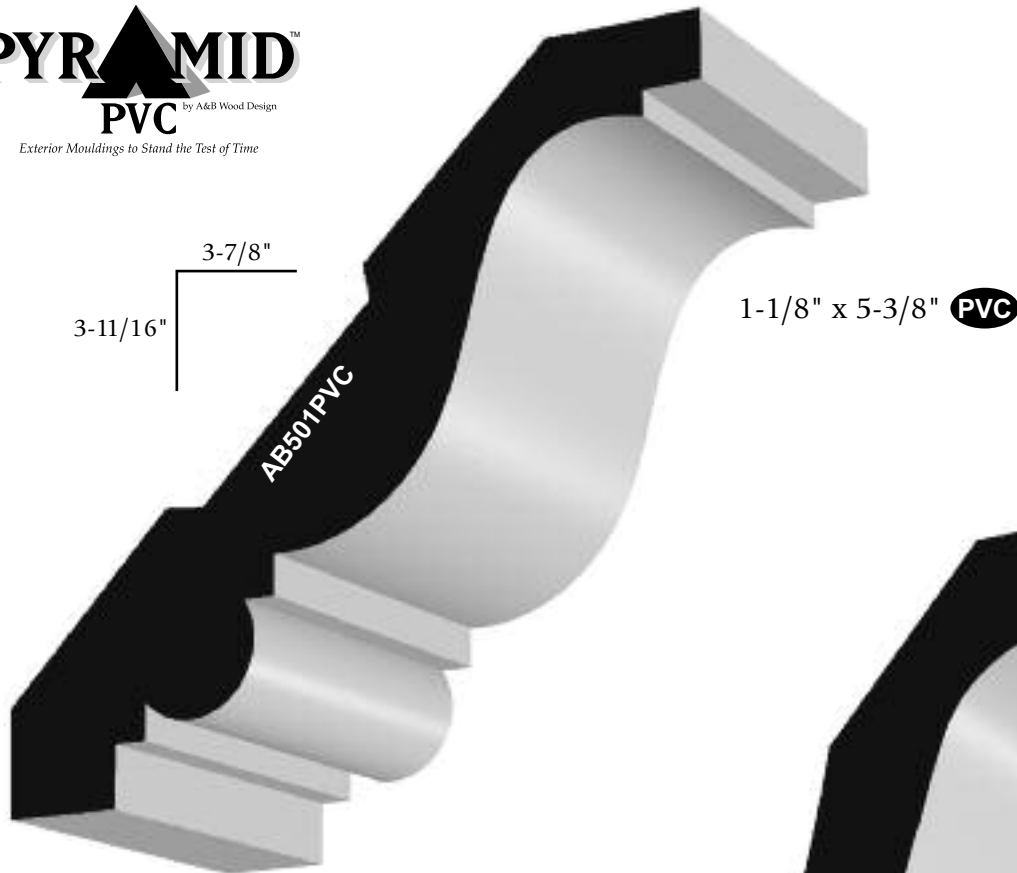


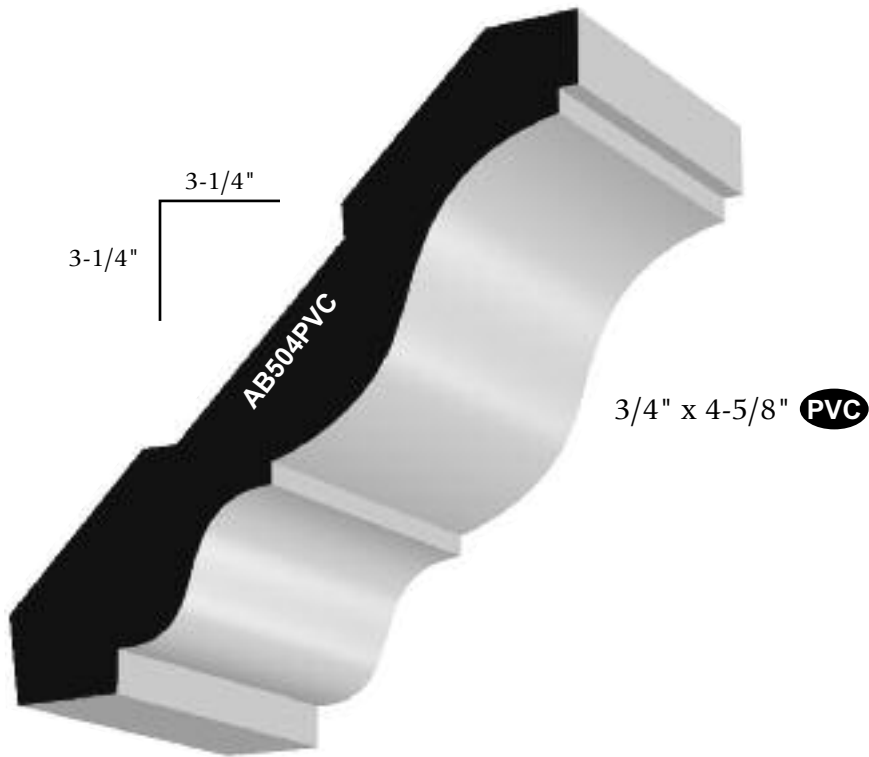
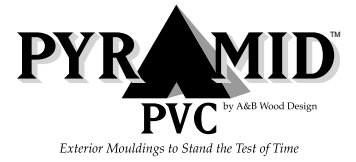
STOCK PVC



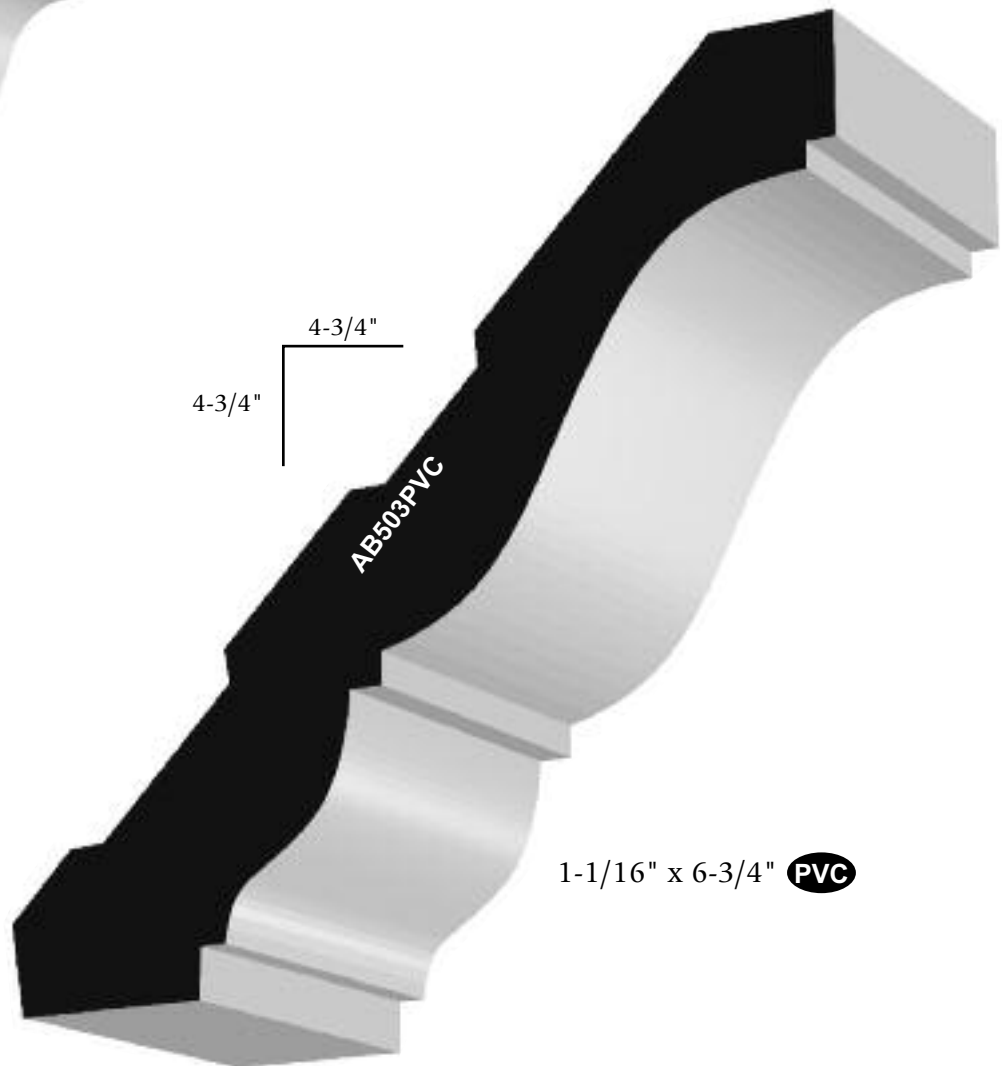


STOCK PVC





STOCK PVC





S4S BOARDS

PAU Paulownia

MDF Medium Density Fibreboard

Our exterior grade S4S boards are made from finger jointed Paulownia, an exceptionally good sustainable product that resists moisture, insects and decay. Each board is primed with 2 coats of exterior grade primer, buffed in between coats. As a hardwood, it is very easy to machine and work with. Our interior MDF boards are primed with interior gesso premier, for an ultra smooth finish.

All S4S Boards are 16' Lengths

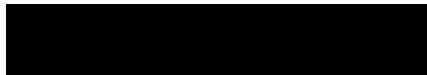
Nominal: 1 x 4
Finished: 3/4" x 3-1/2"

PAU **MDF**



Nominal: 1 x 5
Finished: 3/4" x 4-1/2"

PAU



Nominal: 1 x 6
Finished: 3/4" x 5-1/2"

PAU **MDF**



Nominal: 1 x 8
Finished: 3/4" x 7-1/4"

PAU **MDF**



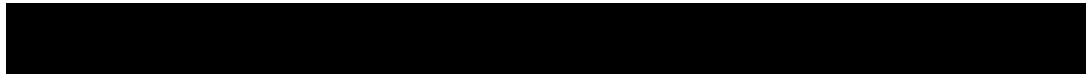
Nominal: 1 x 10
Finished: 3/4" x 9-1/4"

PAU **MDF**



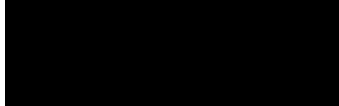
Nominal: 1 x 12
Finished: 3/4" x 11-1/4"

PAU **MDF**



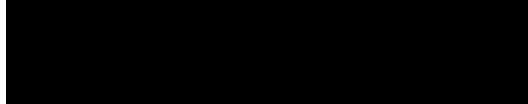
Nominal: 5/4 x 4
Finished: 1-1/8" x 3-1/2"

PAU



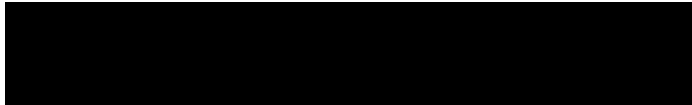
Nominal: 5/4 x 6
Finished: 1-1/8" x 5-1/2"

PAU



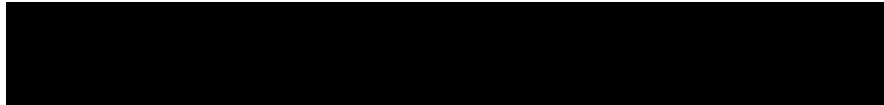
Nominal: 5/4 x 8
Finished: 1-1/8" x 7-1/4"

PAU



Nominal: 5/4 x 10
Finished: 1-1/8" x 9-1/4"

PAU



Nominal: 5/4 x 12
Finished: 1-1/8" x 11-1/4"

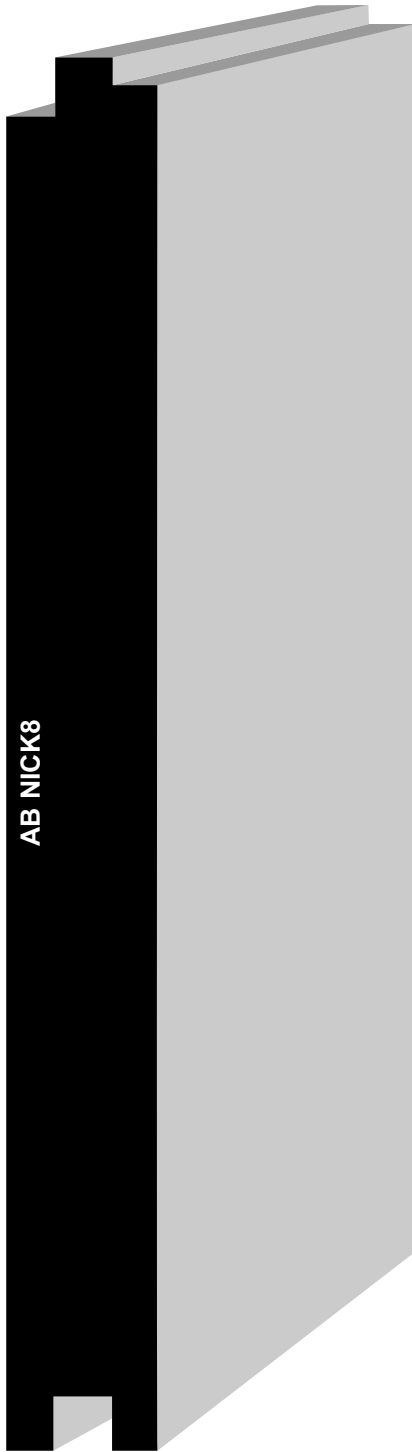
PAU



S4S BOARDS

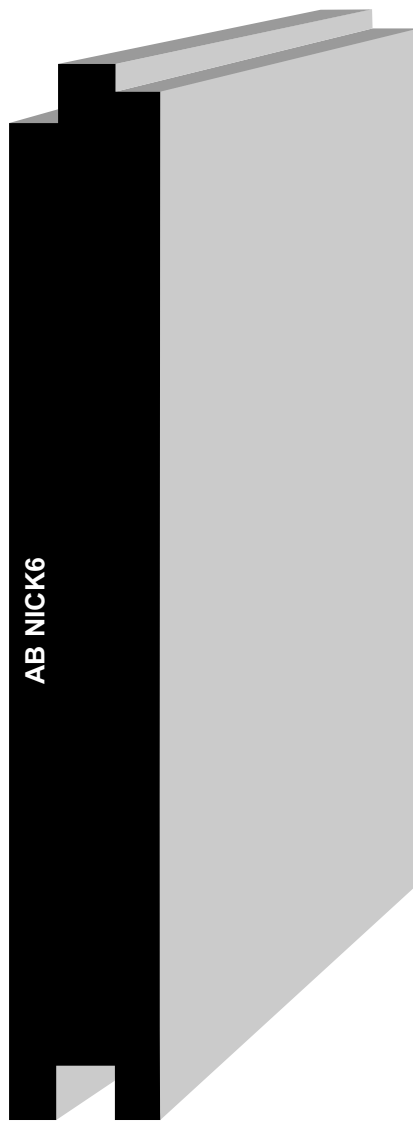


PATTERN STOCK



AB NICK8

Nickel Gap
3/4" x 7-1/4" **PFJ**
Exterior Gesso Primer

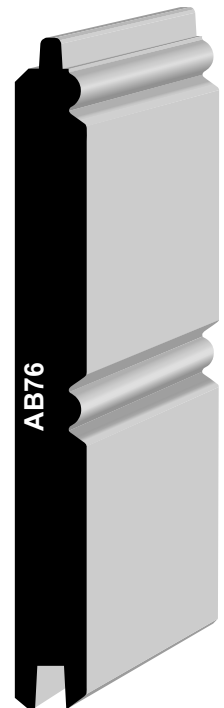


AB NICK6

Nickel Gap
3/4" x 5-1/2" **PFJ**
Exterior Gesso Primer



T&G
Nominal: 1 x 6
Finished: 3/4" x 5-1/2"
PAU



AB76

Beadboard
3/8" x 3-1/2" **PFJ**
Exterior Gesso Primer

PATTERN STOCK



STOCK BEADBOARD



AB701
12mm (1/2)" x 48" **MDF**
1-5/8" O.C.



AB702
12mm (1/2)" x 48" **MDF**
2" O.C.



AB703
12mm (1/2)" x 48" **MDF**
3" O.C.



AB704
5.5mm (1/4)" x 48" **MDF**
2" O.C.



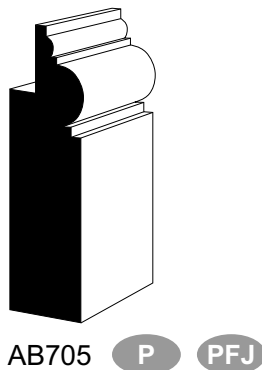
AB706
6mm (1/4)" x 48" **MDF**
3" O.C.



AB725
12mm (1/2)" x 48" **MDF**
2-1/2" O.C.

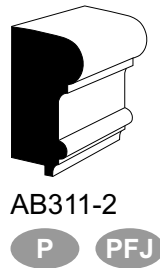
Additional Product Options (sold separately):

BASE OPTIONS:

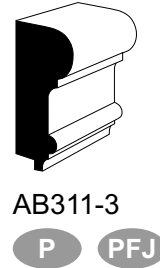


AB705 **P** **PFJ**

CAP OPTIONS:



AB311-2
P **PFJ**



AB311-3
P **PFJ**

P Poplar	PFJ Primed Finger Jointed	MDF Medium Density Fibreboard	Other Species, and Flex, available by Special Order
-----------------	----------------------------------	--------------------------------------	---



OXFORD CLASSIC WAINSCOT
PANEL SYSTEMS

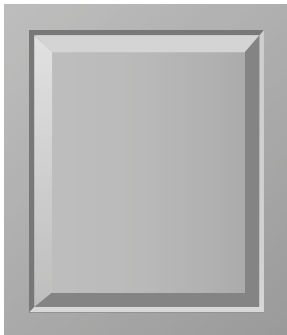
CUSTOM PANELED WAINSCOTING

Our Semi-Custom Wainscoting is delivered to you:

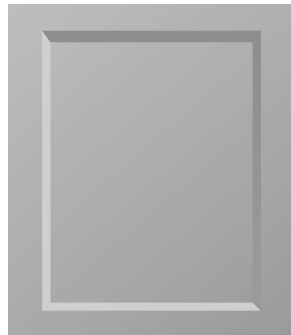
- Fully Assembled
- Built to your room dimensions
- Comes standard at 36" tall
- Has equal size panels for individual wall
- Is constructed with individual styles & rails and floating panels

Product Options Include:

PANEL TYPE:

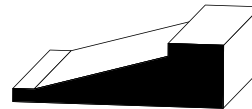


Raised Panel



Recessed Panel

PANEL PROFILE:

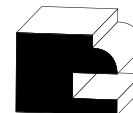


Classic Raised



Ogee

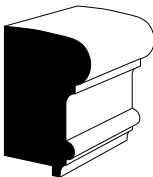
STILE & RAIL PROFILE:



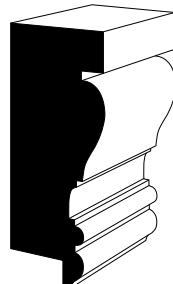
Standard

Additional Product Options (sold separately):

CAP OPTIONS:



AB311

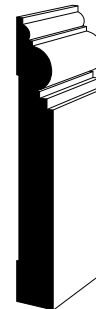


AB310

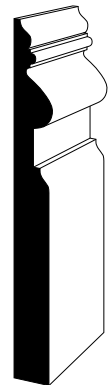
BASE OPTIONS:



AB110



AB212



AB219

WAINSCOT SYSTEMS



OXFORD CLASSIC WAINSCOT
BEADBOARD & PANEL SYSTEMS



CUSTOM PANELED WAINSCOTING

Frequently Asked Questions

- 1** **How long does it take to receive my wainscotting?**
Your order from processing will take 3-5 weeks.
- 2** **What is the longest piece of wainscotting you will ship me?**
Your wainscotting will be built and assembled to your measurements, up to 8 feet long. For walls over 8 feet, the wainscotting will be shipped in segments and joined together by you, with blind screws from the back. But don't worry, you will never see the joints.
- 3** **What if a piece of wainscotting comes in the wrong length?**
You must take the measurements very carefully! Double check the measurements before sending the order. We double check ours before sending them out.
- 4** **Do you offer other sizes?**
No, we have found that 36" is a classic height for wainscotting, if you want it taller, try lifting it off the floor using a taller baseboard moulding!
- 5** **Is it hard to install this wainscotting?**
No, any professional can install this, and certainly it is a great project for the weekend DIY professional.
- 6** **What do we do about outlets in the wall?**
They can be cut into the wainscotting providing they fall in a panel. If they don't, you will need to have a licensed electrician move the outlets. We never want to alter a panel size to accommodate an outlet!
- 7** **What do we do about air vents in the wall?**
They can be cut into the wainscotting providing they fall in a panel. If they don't, you will need to have a licensed H.V.A.C. contractor move the vents. Most times it is moved down toward the floor and a register is built into the base trim.
- 8** **Who do we send the order form to?**
Contact your local A&B Wood Design dealer and fax it to them.



CUSTOM PANELED WAINSCOTING

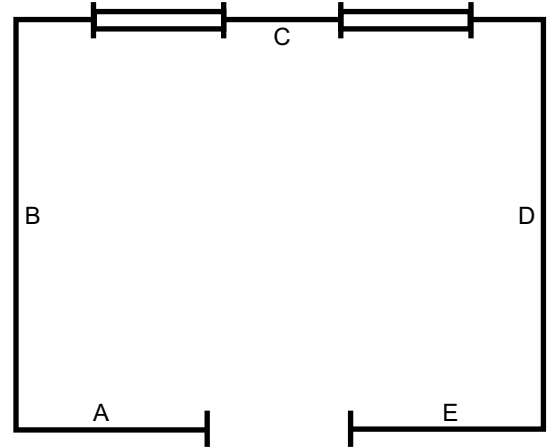
How to Order



OXFORD CLASSIC WAINSCOT
BEADBOARD & PANEL SYSTEMS

1. Draw basic room layout (see Figure 1)
2. Label each wall (ie; A, B, C)
3. Document each wall dimension
4. Draw your window walls (Figure 2). Include dimensions as shown
5. For stairwells, draw the wainscoting, (Figure 3) include the dimensions as shown
***these dimensions are standard**

Figure 1



6. Give us the angle measurements as shown (Figure 4)
 - ◆ Draw a "Plumb Line" up 24"
 - ◆ At the 24" mark, draw a "Level Line" back to the stringer
 - ◆ Take your time, these are critical measurements

Figure 2

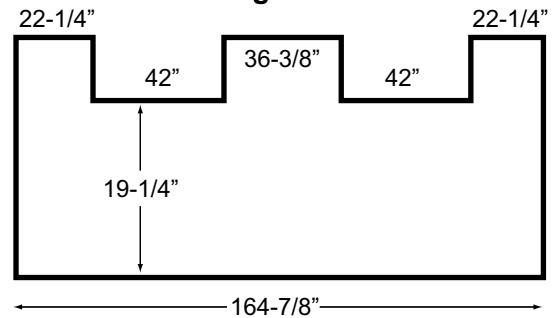
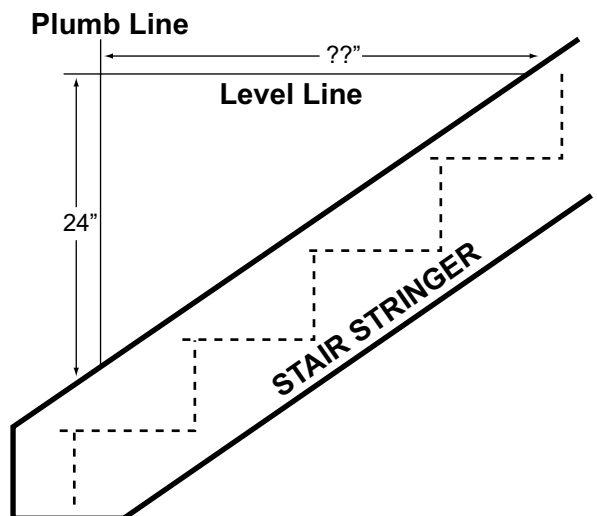
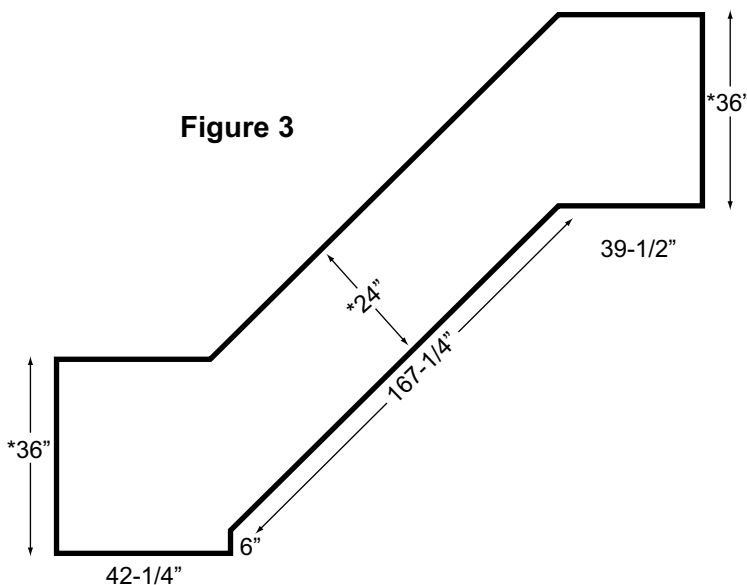


Figure 4



WAINSCOT SYSTEMS



Panel/Cap/Shoe
5/8" x 1-13/16"
P PFJ



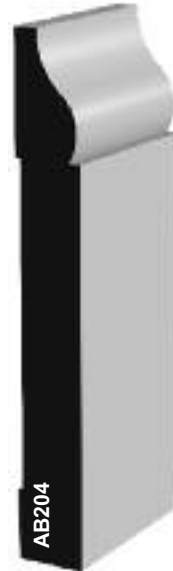
Panel/Cap/Shoe
3/4" x 1-7/8" P
11/16" x 1-7/8" PFJ



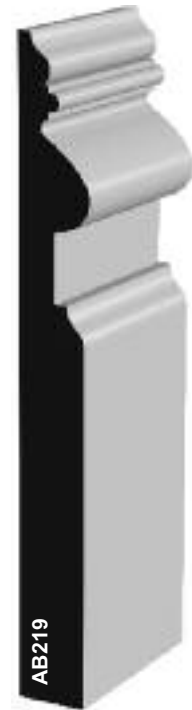
Casing
1-1/16" x 4-3/8"
P PFJ



Casing
3/4" x 3-1/2" P
11/16" x 3-1/2" PFJ MDF

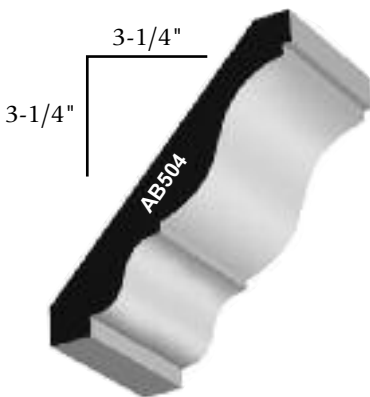


Baseboard
3/4" x 5-1/2" P
11/16" x 5-1/2" PFJ

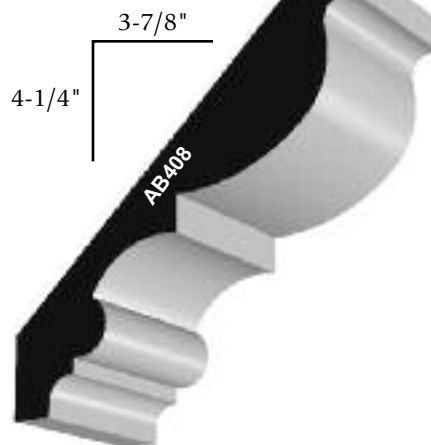


Baseboard
11/16" x 7" P PFJ

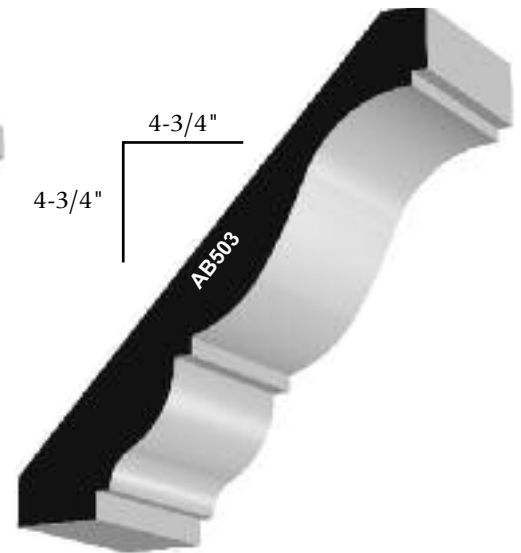
COLLECTIONS



Crown
3/4" x 4-5/8" P PFJ



Crown
1-1/8" x 5-3/4" P PFJ



Crown
1-1/16" x 6-3/4" P PFJ

P Poplar	PFJ Primed Finger Jointed	MDF Medium Density Fibreboard	Other Species, and Flex, available by Special Order
-----------------	----------------------------------	--------------------------------------	---



Casing
11/16" x 2-1/2"

P PFJ MDF



Casing
1-1/16" x 3-5/8"

P PFJ MDF



Panel/Cap/Shoe
1/2" x 1"

5/8" x 1" P PFJ



Panel/Cap/Shoe
3/4" x 1-5/8"

11/16" x 1-5/8" P PFJ



Casing
1-1/16" x 5-1/2"

P PFJ



Casing
1-1/16" x 4-1/2"

P PFJ MDF



Baseboard

3/4" x 7"

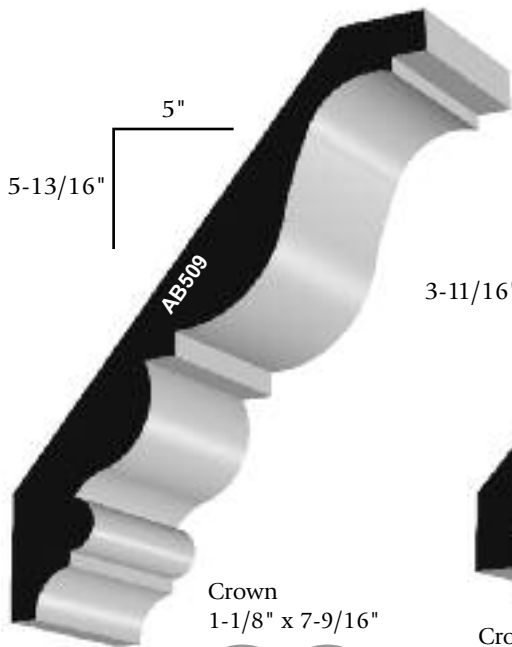
11/16" x 7" P PFJ



Baseboard

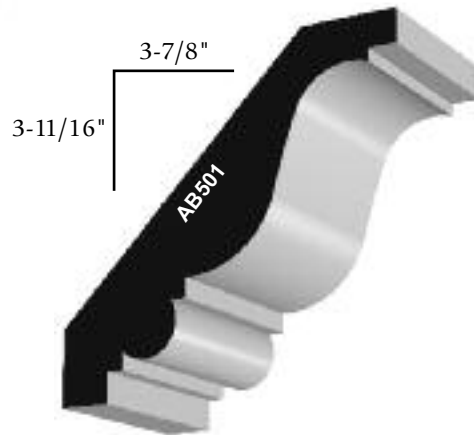
3/4" x 5-1/2"

11/16" x 5-1/2" P PFJ



Crown
1-1/8" x 7-9/16"

P PFJ



Crown
1-1/8" x 5-3/8"

P PFJ MDF



Crown
1-1/8" x 5-5/16"

P PFJ MDF

COLLECTIONS



3/4" x 2-1/16" **P**
 11/16" x 2-1/16" **PFJ**
 Rabbet Dimension: 3/4"



1/2" x 1" **P** **PFJ**



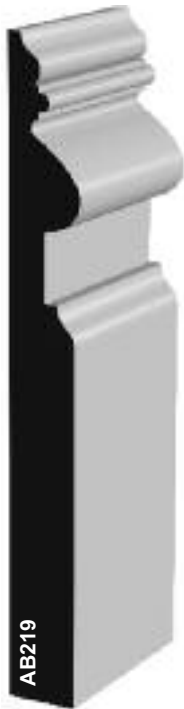
1-5/16" x 2" **P** **PFJ**
 Rabbet Dimension: 3/4"



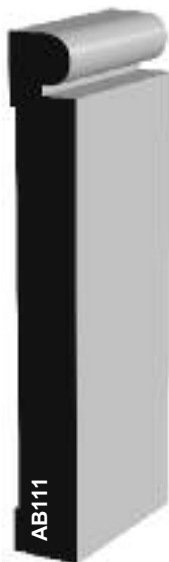
Baseboard
 1-1/16" x 3-1/2"
P **PFJ**



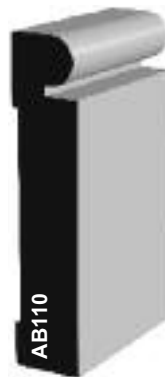
Baseboard
 1-5/16" x 4-1/2" **P**
 1-3/16" x 4-1/2" **PFJ** **MDF**



Baseboard
 11/16" x 7" **P** **PFJ**



Baseboard
 3/4" x 5-1/2" **P** **MDF**
 11/16" x 5-1/2" **PFJ**



Casing
 3/4" x 3-1/2" **P** **MDF**
 11/16" x 3-1/2" **PFJ**



Crown
 1-1/8" x 5-5/16"
P **PFJ** **MDF**

COLLECTIONS

P Poplar	PFJ Primed Finger Jointed	MDF Medium Density Fibreboard	Other Species, and Flex, available by Special Order
-----------------	----------------------------------	--------------------------------------	---



Moulding Combinations

Mouldings are frequently combined to provide a larger composite profile, rendering a more pronounced look. Backbands provide additional depth to Casings, Base mouldings can be used to further enhance Chair Rails, and when inverted, can extend the look of a Crown detail. While the possible combinations are only limited by the imagination, we offer a few to illustrate the potential.



Crown Combination

AB212-1

AB501

P PFJ

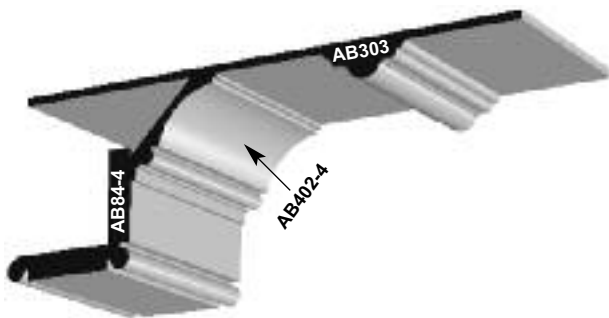


Crown Combination

AB206

AB509

P PFJ



Coffered Ceiling Combination

AB84-4

AB402-4

AB303

P PFJ



Coffered Ceiling Combination

AB82

AB025

P PFJ

COMBINATIONS

P Poplar	PFJ Primed Finger Jointed	Other Species, and Flex, available by Special Order
-----------------	----------------------------------	---

Crowns are Approximately Half Scale
Coffered Ceilings are Approximately Quarter Scale



Special Order Mouldings



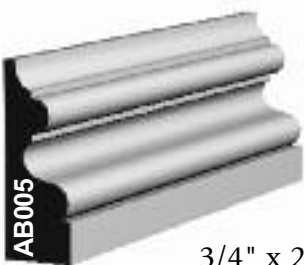
All special order profiles are run per order, in any species needed. Pricing is based upon the quantity run. Typical lead time is two weeks, with priming and top coat finishing available on larger quantities.



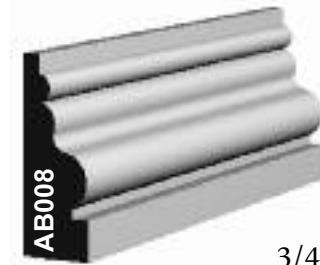
1-1/32" x 1-11/16"



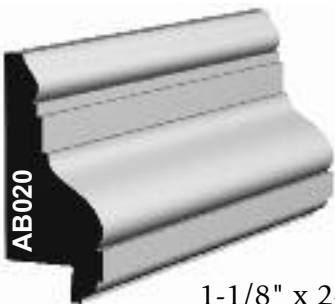
5/8" x 1-1/4"



3/4" x 2-1/16"



3/4" x 2-1/16"



1-1/8" x 2-7/8"



1-1/8" x 3-1/2"

*Special Order Items are Available in ANY Species.
All items on this page are special order; lead time two weeks; priming and finishing available.



SPECIAL ORDER



3/4" x 4-1/16"



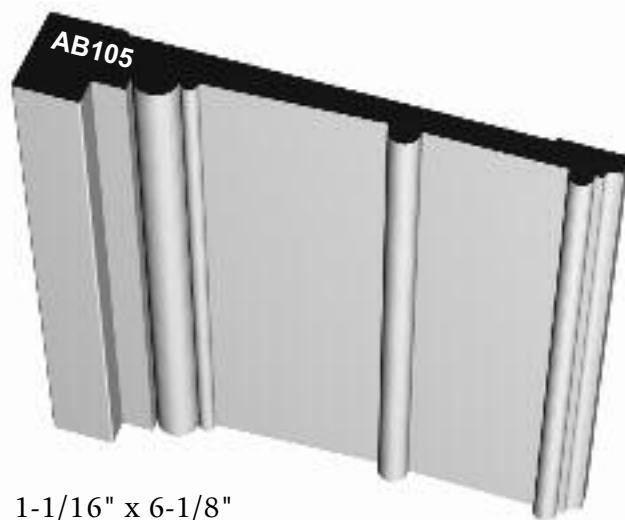
1" x 3-1/2"



3/4" x 3"



3/4" x 3-3/4"



1-1/16" x 6-1/8"

**Special Order Items are Available in ANY Species.
All items on this page are special order; lead time two weeks; priming and finishing available.*



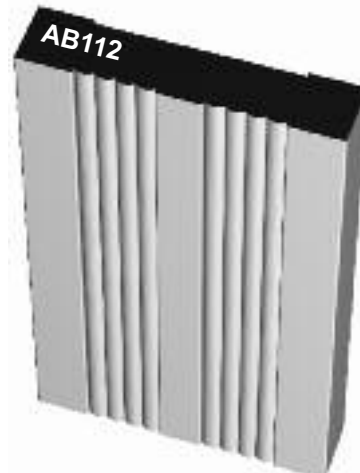
3/4" x 3-1/2"



3/4" x 3-3/16"



3/4" x 3-1/2"



3/4" x 3-1/2"



3/4" x 3-1/2"



3/4" x 4"

*Special Order Items are Available in ANY Species.
All items on this page are special order; lead time two weeks; priming and finishing available.



SPECIAL ORDER



1-3/8" x 7-1/2"
Casing or Pilaster



3/4" x 5"



1-3/8" x 4-3/8"



1-5/16" x 4-7/8"



3/4" x 4"

**Special Order Items are Available in ANY Species.
All items on this page are special order; lead time two weeks; priming and finishing available.*



13/16" x 4-5/8"



3/4" x 4"



3/4" x 3-1/32"



3/4" x 3-21/32"



1-1/16" x 3-3/4"



1-1/16" x 4"

*Special Order Items are Available in ANY Species.
All items on this page are special order; lead time two weeks; priming and finishing available.



SPECIAL ORDER



1-3/32" x 4-7/8"



1-1/16" x 5"



1-1/8" x 4-1/4"

**Special Order Items are Available in ANY Species.
All items on this page are special order; lead time two weeks; priming and finishing available.*



1-11/16" x 5"



1-3/4" x 5-5/32"



1-1/4" x 4"



1-3/4" x 4-7/8"

**Special Order Items are Available in ANY Species.
All items on this page are special order; lead time two weeks; priming and finishing available.*



SPECIAL ORDER



AB205-1 3/4" x 6"
AB205-2 1/2" x 2-1/4"



AB207-1 1-1/2" x 3-7/16"
AB207-2 1" x 5-9/16"
AB207-3 3/4" x 2-13/16"



AB208
3/4" x 6-1/2"



AB209 1-5/32" x 5-1/2"
AB004 5/8" x 1-1/4"

**Special Order Items are Available in ANY Species.
All items on this page are special order; lead time two weeks; priming and finishing available.*



SPECIAL ORDER



AB210-1 1-5/32" x 2-9/16"
AB210-2 1-13/32" x 5"
AB001 3/4" x 1-7/8"



AB211 1-1/8" x 2-3/4"
AB026 5/8" x 1-13/16"



AB213 1-3/32" x 7-1/2"
AB001 3/4" x 1-7/8"

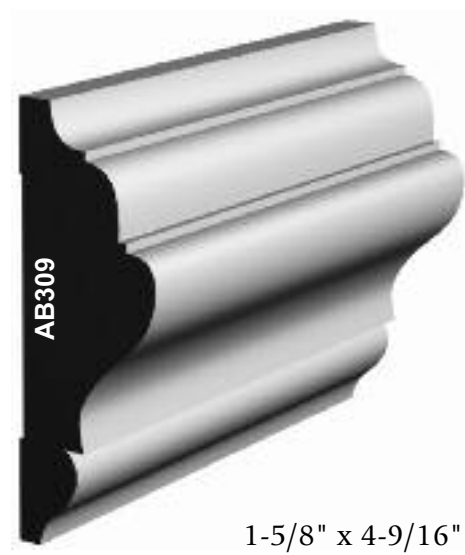
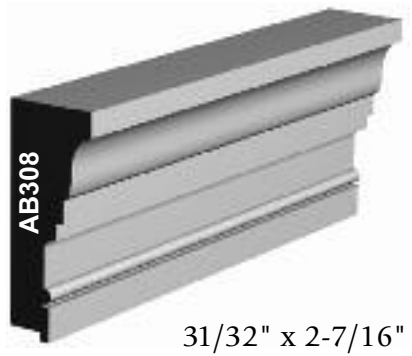
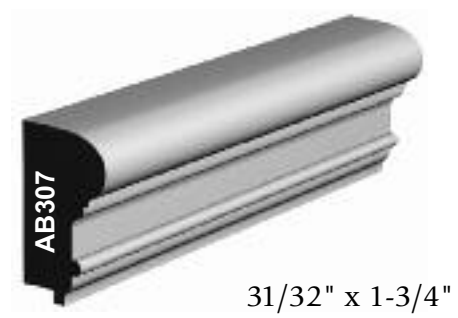


AB214 3/4" x 6"
AB028 1/2" x 1"

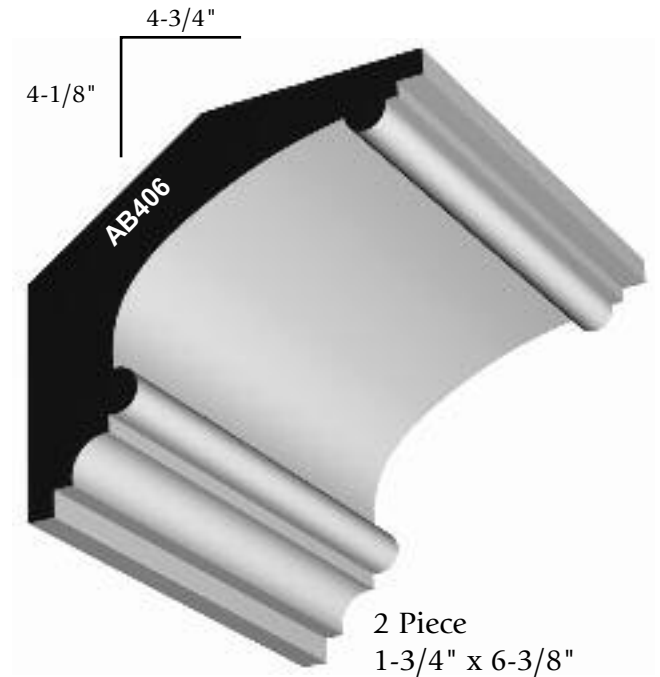
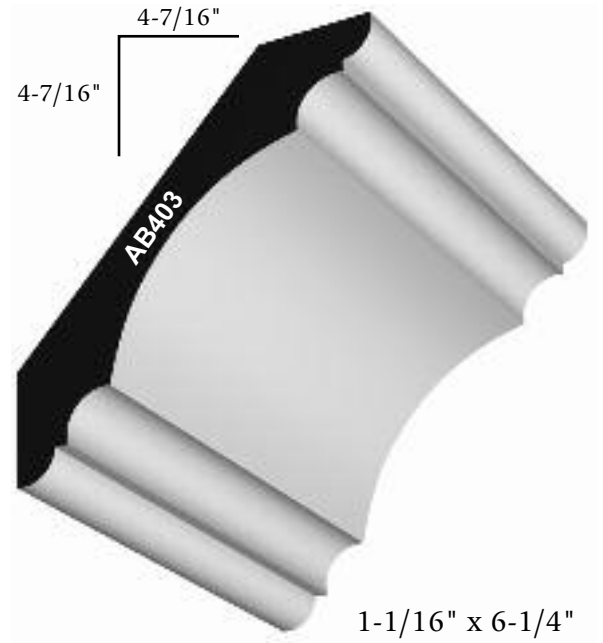
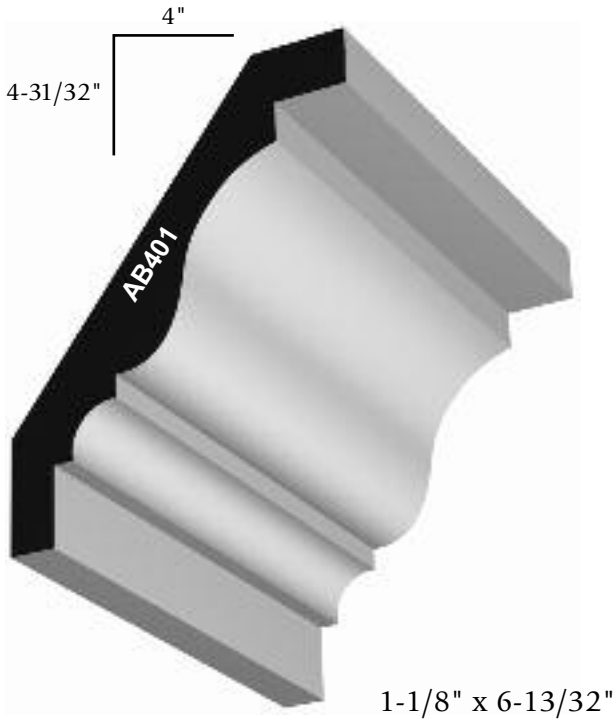
*Special Order Items are Available in ANY Species.
All items on this page are special order; lead time two weeks; priming and finishing available.



SPECIAL ORDER



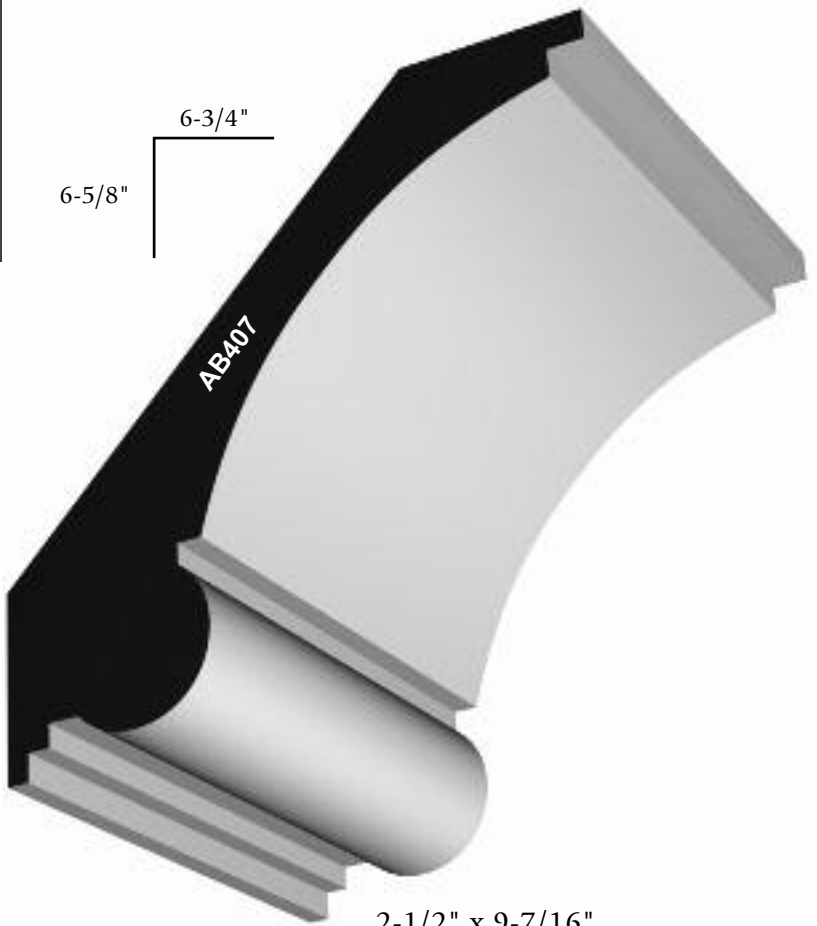
*Special Order Items are Available in ANY Species.
All items on this page are special order; lead time two weeks; priming and finishing available.



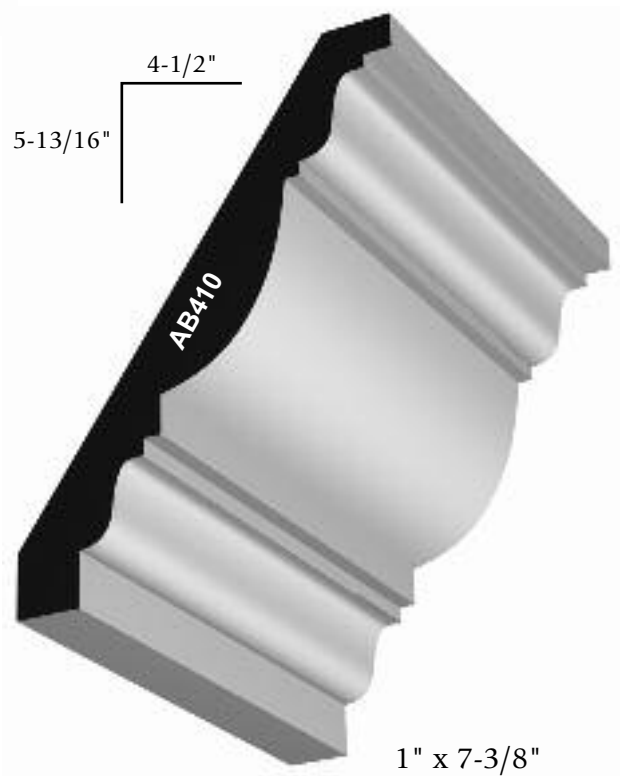
*Special Order Items are Available in ANY Species.
 All items on this page are special order; lead time two weeks; priming and finishing available.



SPECIAL ORDER



2-1/2" x 9-7/16"
(2 Piece)

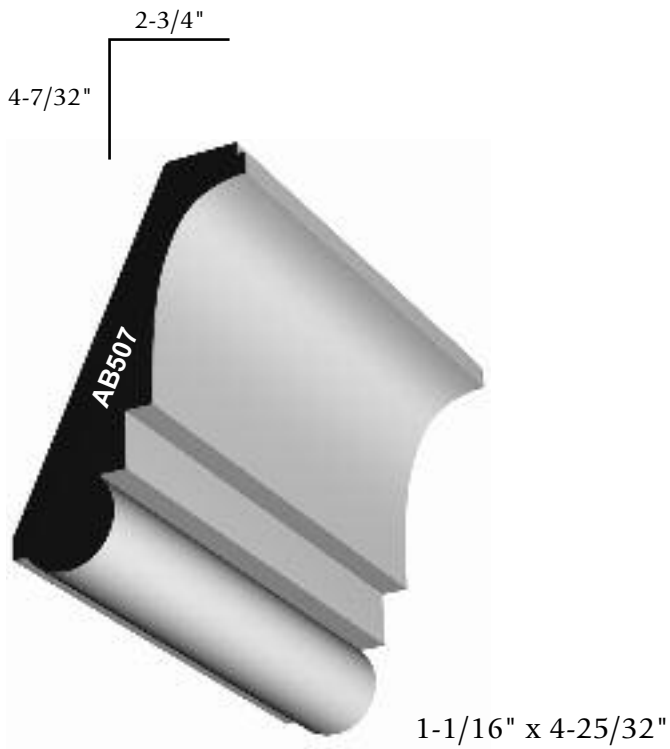
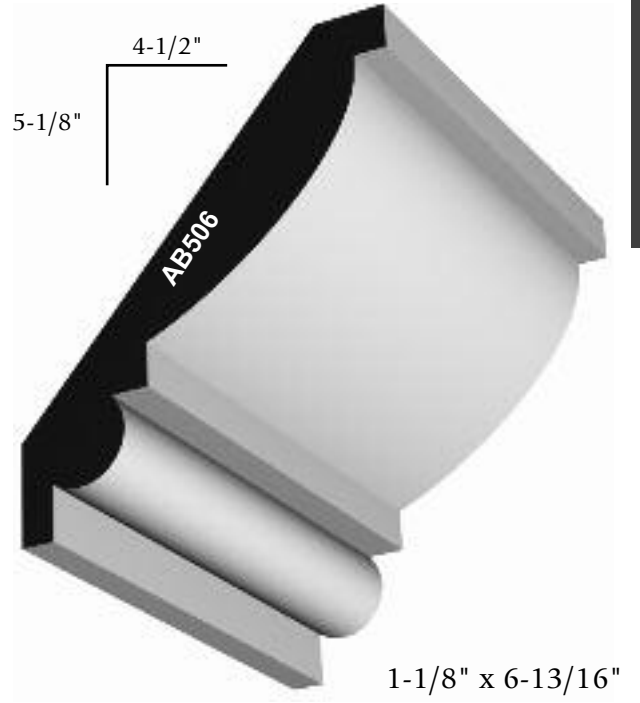
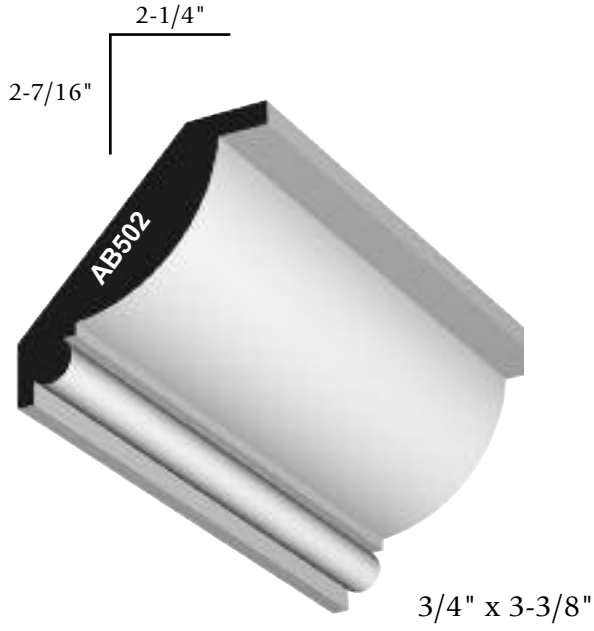


1" x 7-3/8"

**Special Order Items are Available in ANY Species.
All items on this page are special order; lead time two weeks; priming and finishing available.*



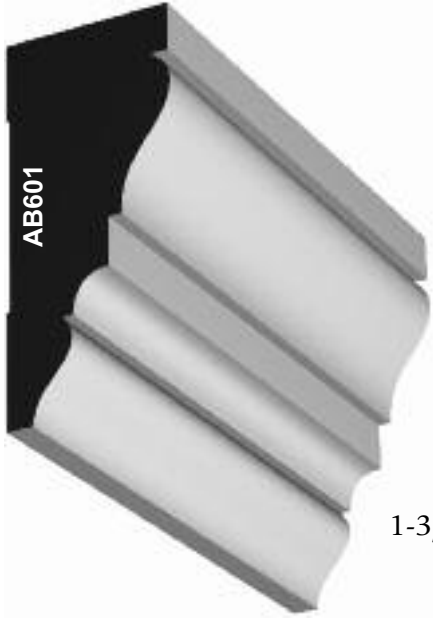
SPECIAL ORDER



*Special Order Items are Available in ANY Species.
All items on this page are special order; lead time two weeks; priming and finishing available.

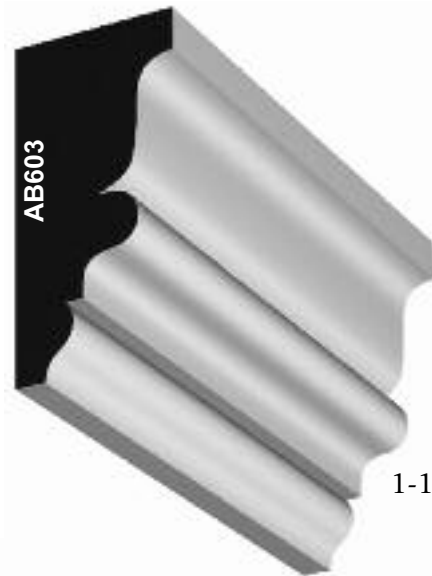


SPECIAL ORDER



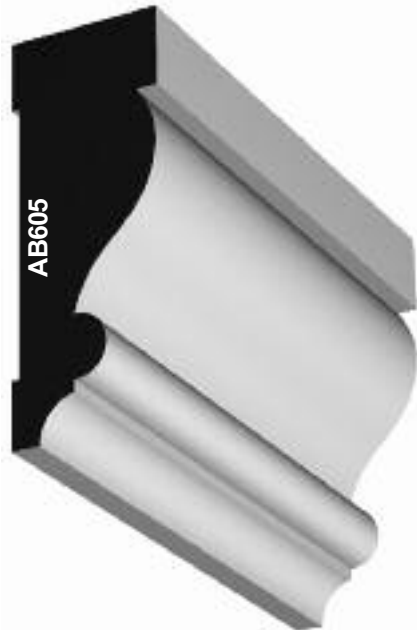
AB601

1-3/4" x 4"



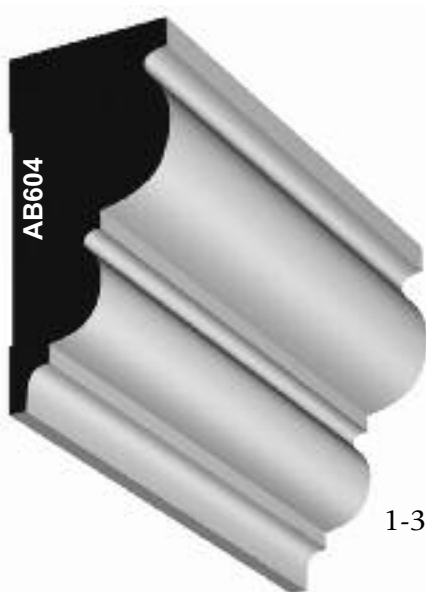
AB603

1-11/16" x 3-1/2"



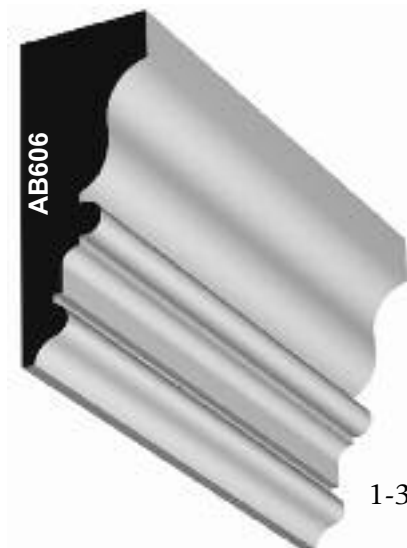
AB605

1-19/32" x 4-1/4"



AB604

1-3/4" x 3-3/4"



AB606

1-3/8" x 3-3/8"

**Special Order Items are Available in ANY Species.
All items on this page are special order; lead time two weeks; priming and finishing available.*



Plinth
1-3/4" x 2-7/16"



Plinth
1-1/8" x 4-3/4"



Bead
1-1/8" x 1-1/8"



Backband
1-1/2" x 2"



Backband
1-1/2" x 1-3/4"

*Special Order Items are Available in ANY Species.
All items on this page are special order; lead time two weeks; priming and finishing available.



SPECIAL ORDER



Backband
1-1/16" x 2-1/4"



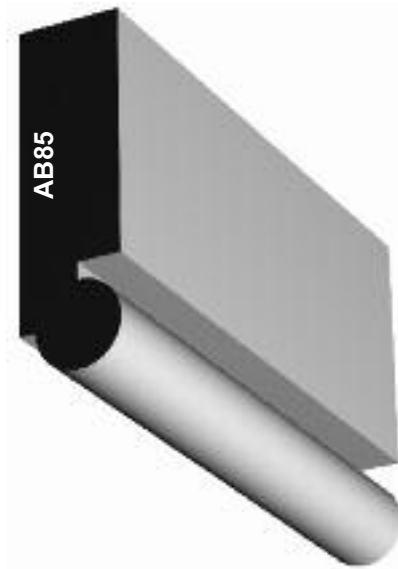
Backband
1-1/2" x 1-7/8"



Crown Extender
3/4" x 3"



Crown Extender
3/4" x 3"



Crown Extender
1-1/32" x 3-1/2"

**Special Order Items are Available in ANY Species.
All items on this page are special order; lead time two weeks; priming and finishing available.*

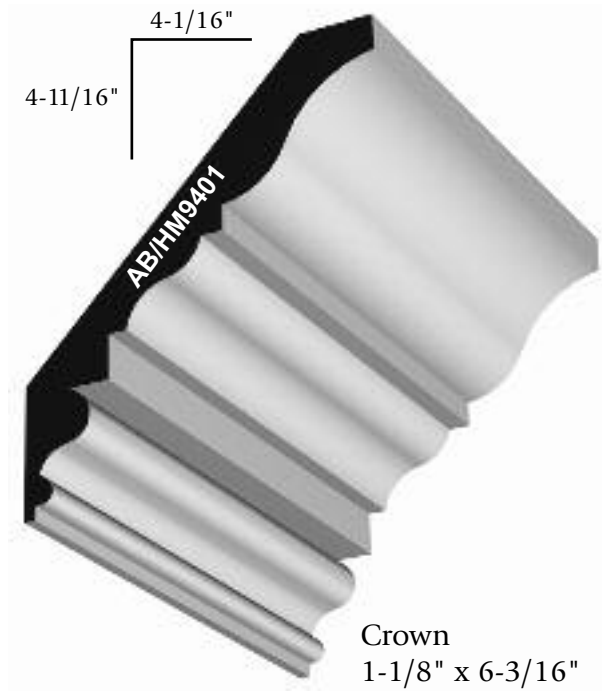


Casing
1-1/4" x 4-1/2"



Chair Rail
3/4" x 2-5/8"

HISTORIC



Crown
1-1/8" x 6-3/16"



Base
1-1/8" x 7-7/8"

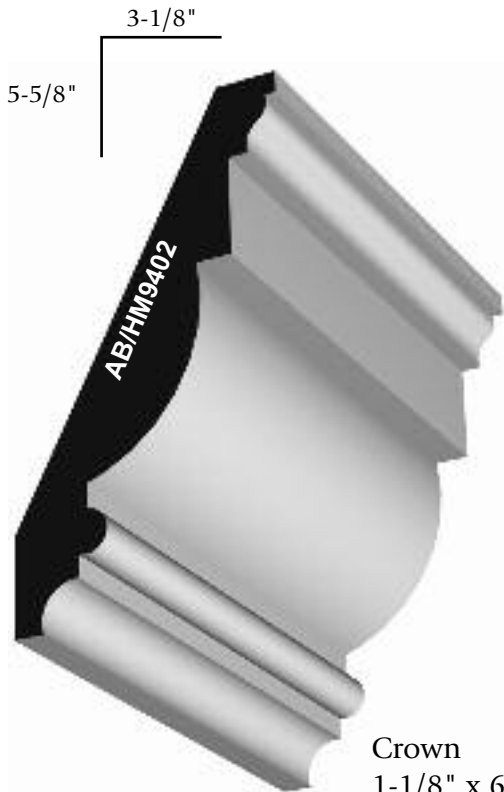
*Special Order Items are Available in ANY Species.
All items on this page are special order; lead time two weeks; priming and finishing available.



Casing
1-5/16" x 4-5/8"



Chair Rail
1-1/8" x 3-3/16"



Crown
1-1/8" x 6-15/32"



Base Cap 1-1/16" x 2-1/8"
Base 1-1/16" x 6" (+/-)

**Special Order Items are Available in ANY Species.
All items on this page are special order; lead time two weeks; priming and finishing available.*



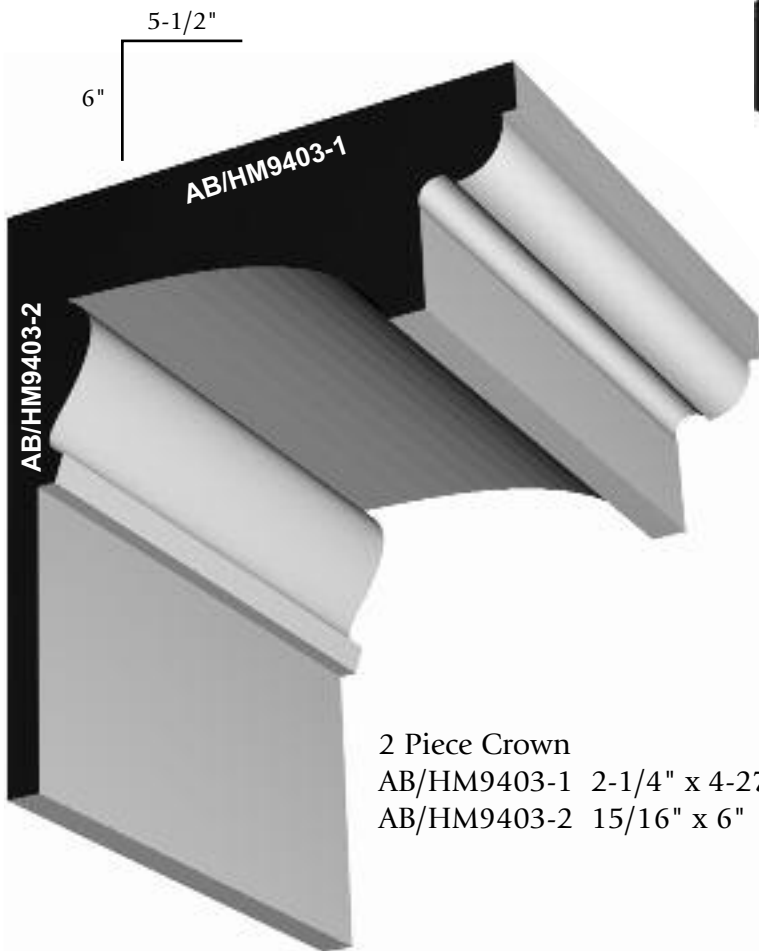
HISTORIC



Casing
1" x 4-15/16"



Base 5/8" x 8-1/2"
Shoe 1" x 2-3/4"



2 Piece Crown
AB/HM9403-1 2-1/4" x 4-27/32"
AB/HM9403-2 15/16" x 6"



Chair Rail
1-1/16" x 3-5/8"

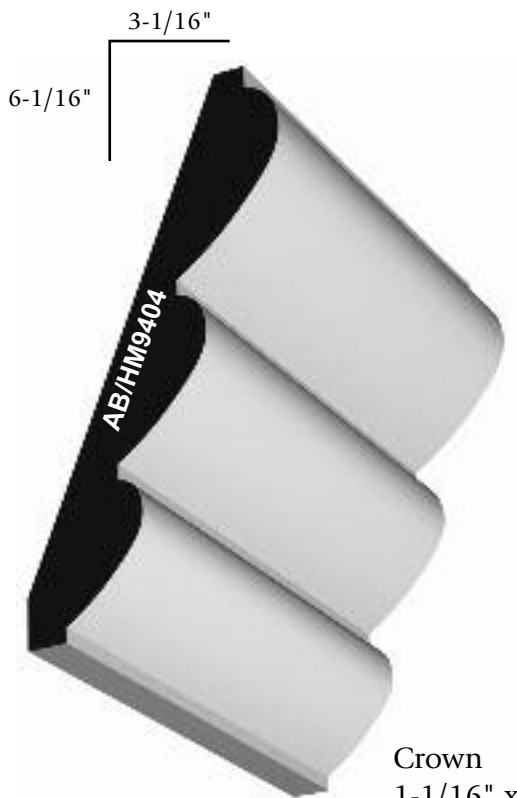
*Special Order Items are Available in ANY Species.
All items on this page are special order; lead time two weeks; priming and finishing available.



Casing
3/4" x 4-1/4"



Chair Rail
1-1/16" x 2-7/8"



Crown
1-1/16" x 6-5/8"



Base 1-1/16" x 7-7/8"
Shoe 3/4" x 1-1/2"

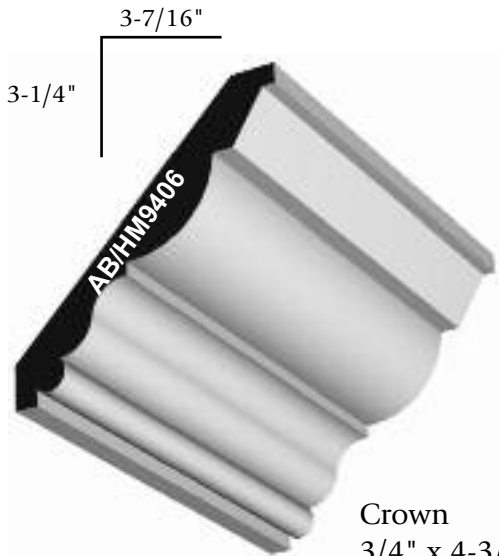
**Special Order Items are Available in ANY Species.
All items on this page are special order; lead time two weeks; priming and finishing available.*



Casing
2-1/8" x 6-3/8"



Chair Rail
1-1/8" x 3-1/4"



Crown
3/4" x 4-3/4"



Base
15/16" x 7-3/8"

HISTORIC

*Special Order Items are Available in ANY Species.
All items on this page are special order; lead time two weeks; priming and finishing available.



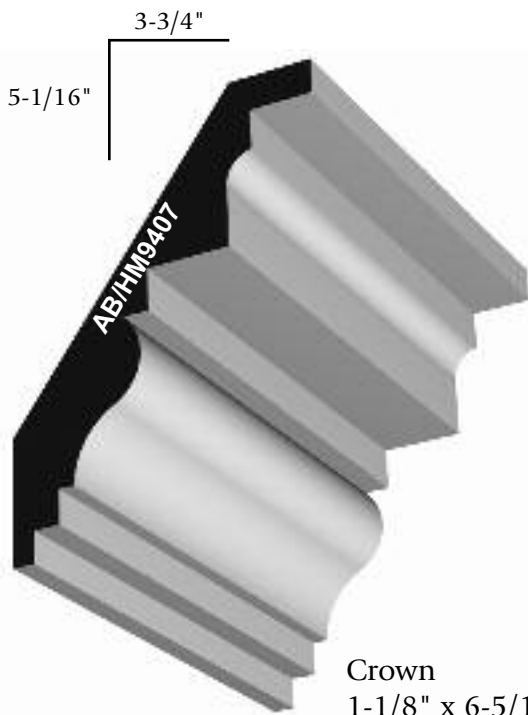
HISTORIC



Casing
1-1/8" x 4-13/16"



Chair Rail
1-5/8" x 3-11/16"



Crown
1-1/8" x 6-5/16"



Base Cap 3/4" x 3-3/8"
Baseboard 1-5/8" x 4-1/4"

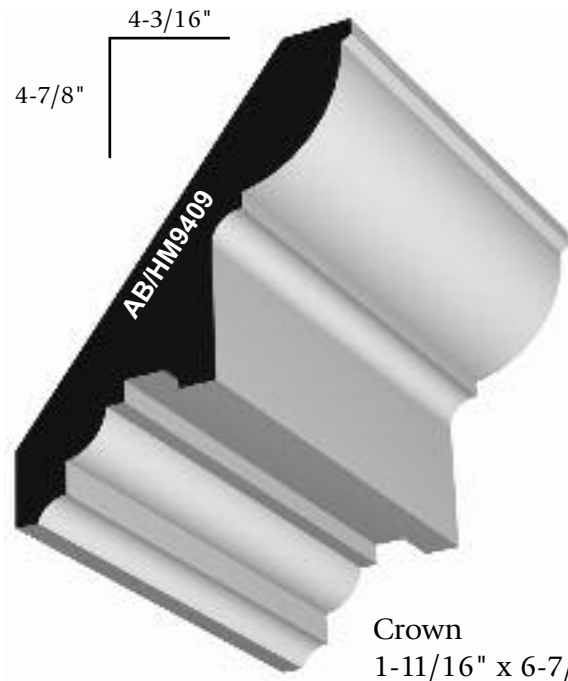
**Special Order Items are Available in ANY Species.
All items on this page are special order; lead time two weeks; priming and finishing available.*



Casing
1-21/32" x 4-3/16"



Chair Rail
1-1/8" x 4"



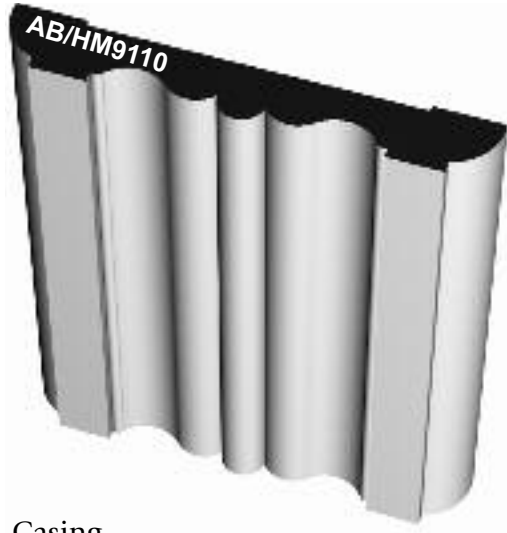
Crown
1-11/16" x 6-7/16"



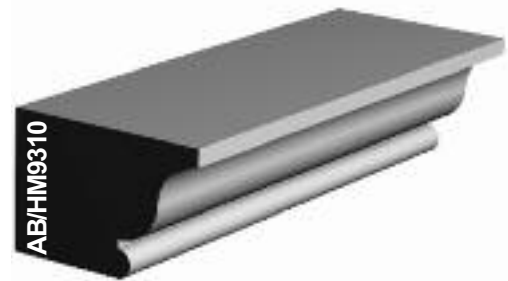
Base
15/16" x 3-13/16"

HISTORIC

*Special Order Items are Available in ANY Species.
All items on this page are special order; lead time two weeks; priming and finishing available.



Casing
3/4" x 5"



Chair Rail
1-1/2" x 2-1/4"



Crown
1-1/8" x 5-13/16"



Base
3/4" x 8"

**Special Order Items are Available in ANY Species.
All items on this page are special order; lead time two weeks; priming and finishing available.*



A & B Wood Design

FINE ARCHITECTURAL MOULDINGS

PYRAMIDTM
PVC by A&B Wood Design

Exterior Mouldings to Stand the Test of Time



OXFORD CLASSIC WAINSCOT
BEADBOARD & PANEL SYSTEMS



Available at:



A & B Wood Design

FINE ARCHITECTURAL MOULDINGS

800.669.9871

Fax 203.888.0493 | www.abwooddesign.com

©2018 A&B Wood Design