














RAILING SIMPLIFIED

PRODUCT CATALOG



STEEL RAILING | CABLE RAILING | ALUMINUM RAILING | GLASS RAILING | BALUSTERS | HANDRAILS | POST CAPS, BASE COVERS & LED LIGHTING | COMMERCIAL RAILING

TABLE OF CONTENTS

	STEEL RAILING	
	Introduction	5
	Features & Benefits	8
	Selection	9
	FORTRESSCABLE V-SERIES	
	Introduction	13
	Features & Benefits	16
	Selection	17
	FORTRESSCABLE H-SERIES	
	Introduction	21
	Features & Benefits	24
	Selection	25
	ALUMINUM RAILING	
	Introduction	29
	Features & Benefits	32
	Selection	33
	ALUMINUM RESIDENTIAL RAILING	
	Introduction	37
	Features & Benefits	40
	Selection	41
	GLASS RAILING	
	Introduction	45
	Features & Benefits	48
	Selection	49
	STEEL BALUSTERS	
	Introduction	53
	Features & Benefits	56
	Selection	57
	HANDRAIL SYSTEMS	
	Introduction	61
	Features & Benefits	64
	Selection	67
	POST CAPS, BASE COVERS & LED LIGHTING	
	Introduction	69
	Features & Benefits	72
	Selection	73
	RESOURCES	
	System Drawings	77
	Code Compliance	95
	Product Grid	97
	COMMERCIAL	
	Introduction	101
	Features & Benefits	102



PRODUCTS THAT ENCLOSE. DESIGNS THAT LIBERATE.

There's a reason Fortress Railing Products is one of the strongest brands in the railing industry. From commercial, code-tested products to diverse residential styles, Fortress Railing Products is a category creator, with a complete line of railing solutions to turn your outdoor space into a living place. Our products feature thoughtful designs constructed with the strength of more than 40 years of innovation. There's a security that comes with having so many options at your fingertips, and that's because they're not just options—they're solutions. That's why Fortress Railing Products also offers unique customizations beyond railings, with a powerful selection of accessories to open up new options for your enclosure. So whether you're looking for aluminum, steel, or a different aesthetic entirely, you can feel secure that with Fortress, your imagination won't be boxed in.



A large, covered wooden deck with a railing. The deck is made of light-colored wood and has a dark metal railing with a wooden handrail. In the background, a family of four (a man, a woman, and two children) is standing and looking out over a lush green landscape. There are several lounge chairs on the deck, and a potted plant with red flowers. The ceiling of the deck is made of dark wood and has two ceiling fans. The overall scene is bright and sunny.

WHY FORTRESS RAILING?

FORTRESS FIVE



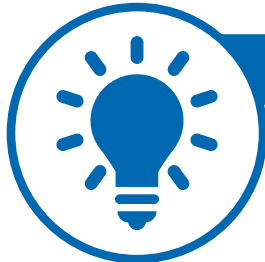
QUALITY

Fortress Railing Products coats its products with durable, multi-layered anti-corrosion coating technology adopted from the high-end automotive industry, which translates into virtually maintenance free and long lasting railing products.



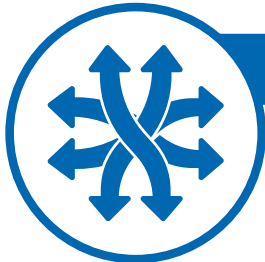
STRENGTH

Fortress Railing Products is focused and committed to manufacturing the strongest railing systems in the market. Fortress Railing Products is proactive in having its products tested to meet or exceed code for various single, multi-family and commercial applications.



INNOVATION

Fortress Railing Products is an industry leader with its proprietary pre-welded panel systems as well as its modular caps and lighting system, and is committed to designing innovative products to enhance the decking and railing industry, which ultimately transforms outdoor spaces.



VERSATILITY

Fortress Railing Products not only offers a full range of railing product lines but also offers a large variety of customizing options within each of its product lines for limitless combination possibilities. Regardless of projects utilizing full Fortress solution systems or in conjunction with other decking and railing materials, Fortress Railing Products are ideal for any project.



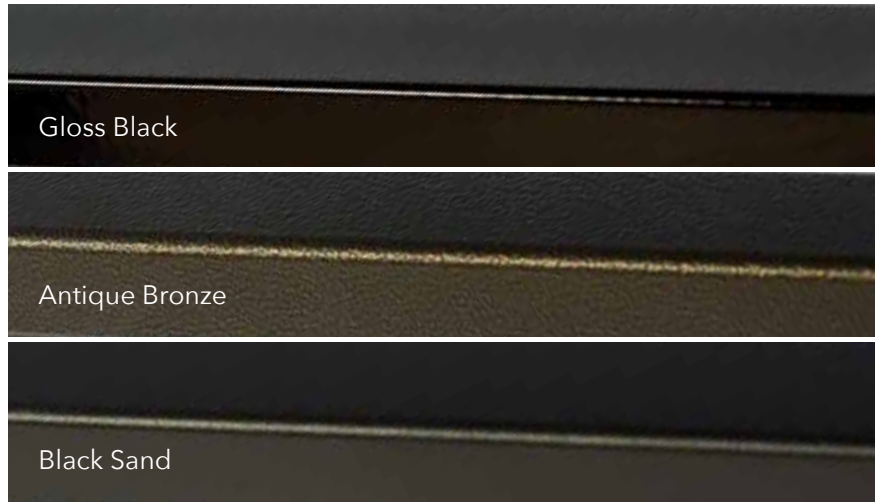
EASE OF INSTALLATION

Fortress Railing Products designs its railing systems for easy installation with simple to use bracket systems or other simple installation components, which drastically reduces installation time.



STEEL RAILING

SIMPLIFIED



CODE
COMPLIANCE



Intertek
CCRR-0192



www.FortressRailing.com

STEEL MADE. FORTRESS STRONG.

Fortress Fe²⁶ Steel Railing is a pre-welded, easily customized and enhanced version of traditional wrought iron railing that brings unparalleled quality to any patio, deck, balcony or porch. It provides a clean, classic appearance that is versatile for a variety of applications and surfaces. FortressShield coating process makes Fortress the most elegant and durable steel railing system on the market.

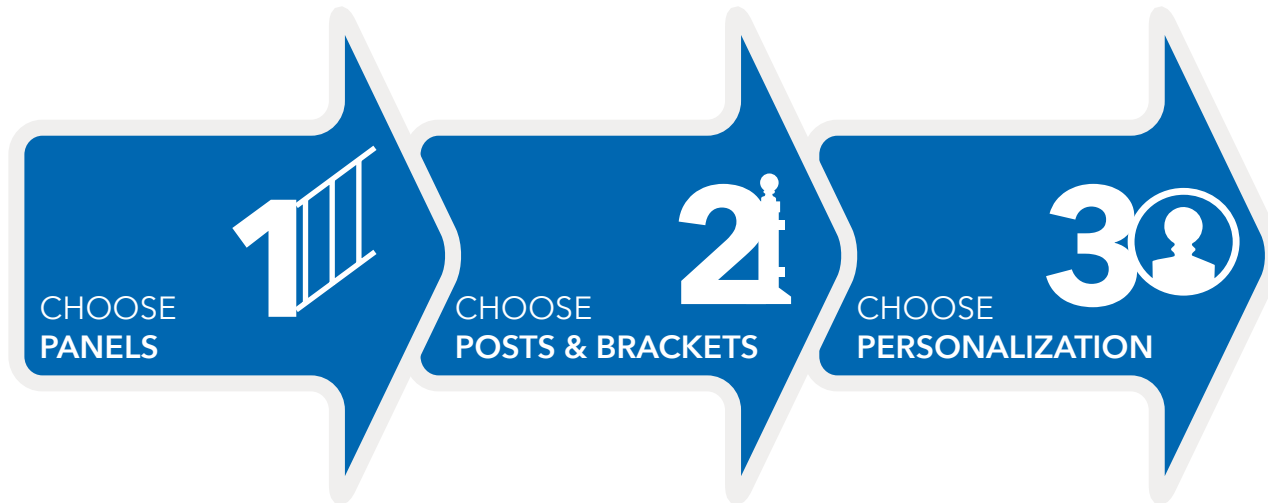




FEATURES & BENEFITS

- Pre-welded panels with patented bracket system
- FortressShield Coated utilizing advanced automotive coating process to resist rust and corrosion
- Many customizing options to choose from
- Use with wood, composite, vinyl or Fortress Steel Posts
- Quick and easy installation
- Fortress Fe²⁶ Panels are tested in accordance with ICC-ES™ AC273 & OBC/NBCC

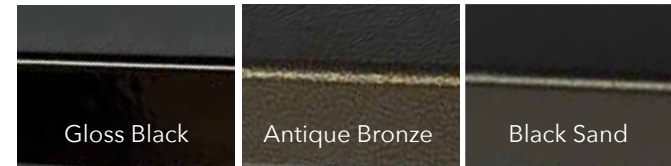
SIMPLE ASSEMBLY EASY AS 1, 2, 3 FORTRESS



FORTRESS

PREMIUM FINISH

Fortress Fe²⁶ Steel Railing is available in three premium finishes engineered to withstand the elements.



Protected with



Premium Powder Coat
E-Coat
Quality Pre-treatment
Zinc Galvanized





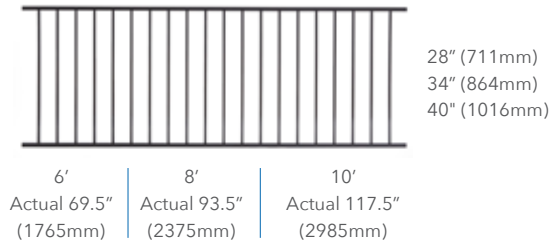
STEEL RAILING SELECTION SIMPLIFIED

| PANELS

Panels can be used with several types of posts such as steel, wood, vinyl or composite

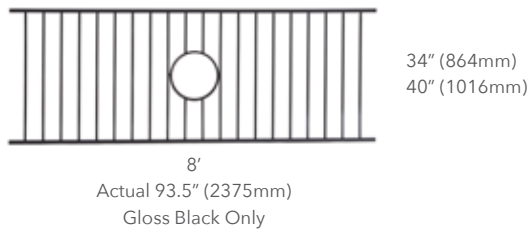
LEVEL

TRADITIONAL

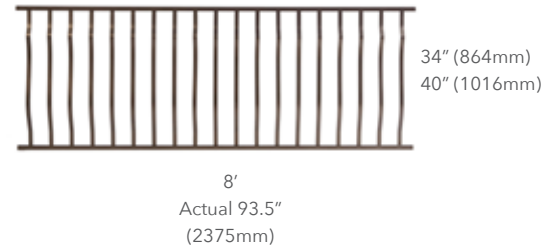


10' panels available in 34" height only and are for on grade use only

ORNAMENTAL

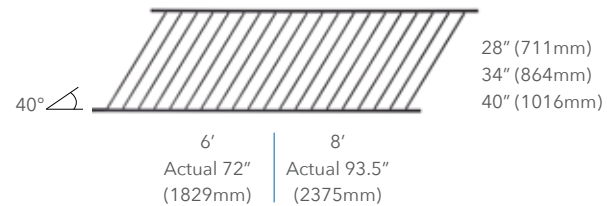


VIENNA



STAIR

TRADITIONAL ADJUSTABLE



I-Support
Panel support optional



2 | POSTS & BRACKETS

POSTS

All post base plates are pre-drilled enabling ease of wiring for lighting installations

39.5" (1003mm) | 49" (1245mm) Goes with 34" Railing panel and with 28" Rail panel when using Accent Top Panel

45.5" (1156mm) | 55" (1397mm) Goes with 38" Railing panel or 34" Rail panel when using Accent Top Panels



(Post Base Cover included in Post Box with 39.5" and 45.5" Posts")



SURFACE MOUNT
2" (51mm) 3" (76mm)

FASCIA MOUNT
2" (51mm) 3" (76mm)

PRE-ATTACHED BRACKETS
Corner Line End

Available in 2" (52mm) & 3" (76mm) posts, UB-04 (1") brackets are pre-attached

BRACKETS

For stair panel installation, use Universal Brackets with angle adjusters, adjustable Collar Brackets or Simplified Stair Brackets.

UNIVERSAL BRACKET

Hidden Fasteners (Patented)



UB (Level) UB-ANG Add to Universal Bracket for Stair or Angle/Miter Application

COLLAR BRACKET

Traditional Fasteners



CB (Level) CBS-ADJ (Angle/Miter) CB-ADJ (Stair)

PATIO BRACKET

(For on-grade use only - 30" or less above ground)



Patio Bracket Standard (Level) Patio Bracket ADJ Stair or Angle/Miter Applications

SIMPLIFIED STAIR BRACKET

For stair applications only. One package of 4 brackets are needed to install one stair panel.



SSB-04 Use for stair panel with 1" rails SSB-05 Use for stair panel with 1.25" rails

FASCIA MOUNT BRACKET



STRAIGHT BRACKET INSIDE CORNER BRACKET OUTSIDE CORNER BRACKET

PANEL ACCESSORIES

ACCENT TOP PANEL

Actual 93.5" (2375mm) x 5" (127mm)

8' Basket (Gloss Black Only)



8' Ring Top



8' Circle Top



8' 3 Rail



ORNAMENTS

Available in Gloss Black and to be used for ornamental panels only



2D Star



3D Star



4CS



Mountains



Elk

ACCENT TOP RAIL

Actual 93.5" (2375mm)

8' Colonial Round



KNUCKLES

Use to add a unique look to your railing balusters



CAP RAIL CLIP

Use to attach wood or composite board to top rail of panel





POST ACCESSORIES

CAPS

Without Lighting Capability

For caps with lighting capabilities visit page 73 for more information



Pressed Dome Cap
2" | 3"



Ball Cap
2" | 3"
(Gloss Black only)

GATES

Hinges, Locks and Latches are available

TRADITIONAL GATE

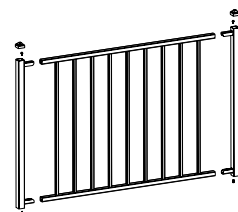


34.5" (876mm)

34" (864mm)
40" (1016mm)

GATE UPRIGHTS

Make a gate



Maximum Overall
width 48" (1219mm)

34" (864mm)
40" (1016mm)



GATE KIT #2

Works with Traditional Gate and Gate Uprights.
Kit includes a Latch and 2 Hinges.



Hinge

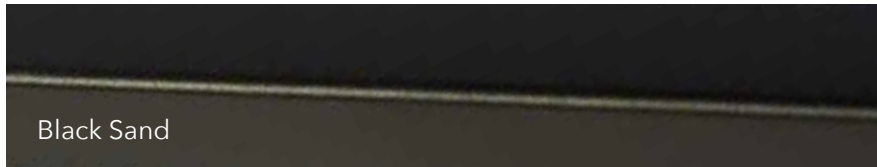


Lock & Latch



FORTRESSCABLE

SIMPLIFIED



Black Sand

CODE
COMPLIANCE



Intertek
CCRR-0248



www.FortressRailing.com

CABLE MADE. FORTRESS EASY.

Research told us that Cable Railing was very difficult to install and very costly. With that in mind, Fortress set out on a mission to not only simplify Cable Railing but to create the first vertical Cable Railing system in the industry. We have succeeded! Now Cable Railing is not only affordable, anyone can install it. The sleek top and bottom rail on our V-Series make this option a great choice for style and function, plus the vertical cables eliminates the risk of climbability in homes with small children.

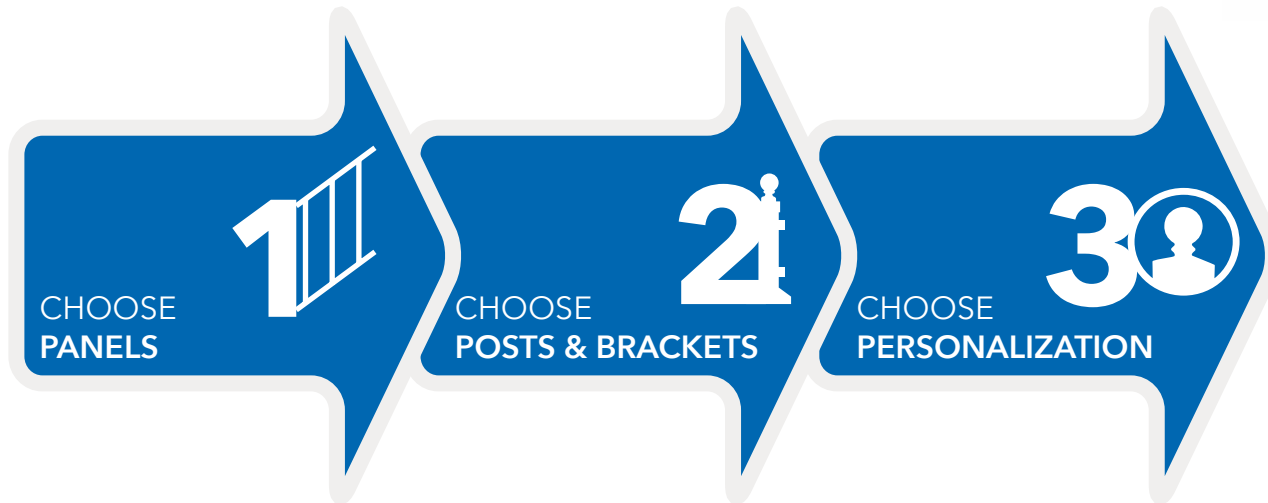




FEATURES & BENEFITS

- First Vertical Cable Railing Panel in the decking/railing industry
- FortressShield Coated utilizing advanced automotive coating process to resist rust and corrosion
- Pre-assembled for ease of installation
- 316 marine grade stainless steel cable and components
- Works with wood, composite, vinyl and Fortress Steel Posts
- Quick and easy installation
- Meets ICC-ES™ AC273, NBCC, OBC, ABC, and BCBC standards

SIMPLE ASSEMBLY EASY AS 1, 2, 3 FORTRESS



FORTRESS

PREMIUM FINISH

Fortress Cable Railing Black Sand finish is engineered to withstand the elements.

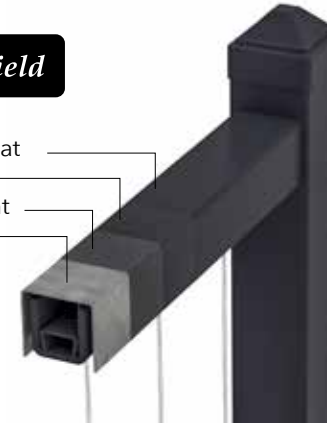


Black Sand

Protected with



Premium Powder Coat
E-Coat
Quality Pre-treatment
Zinc Galvanized



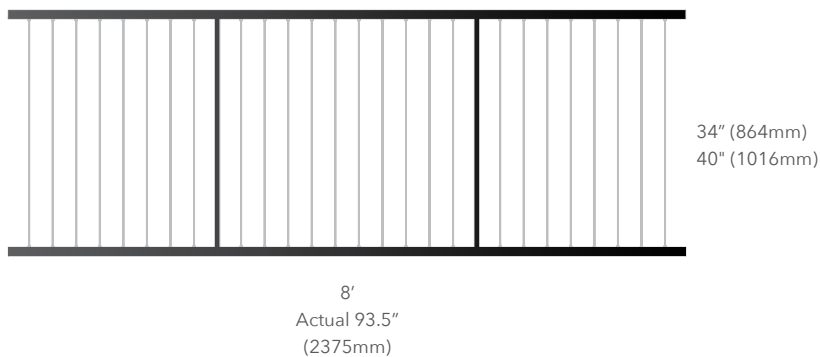
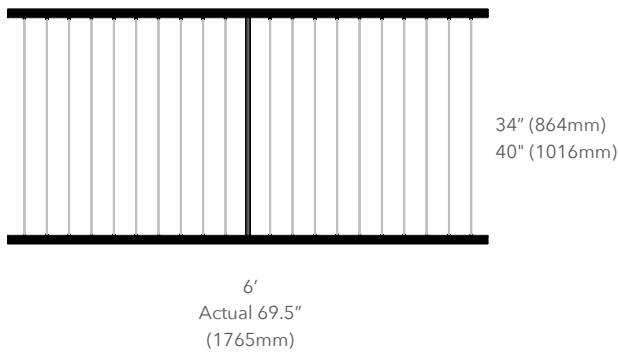


FORTRESSCABLE SELECTION SIMPLIFIED

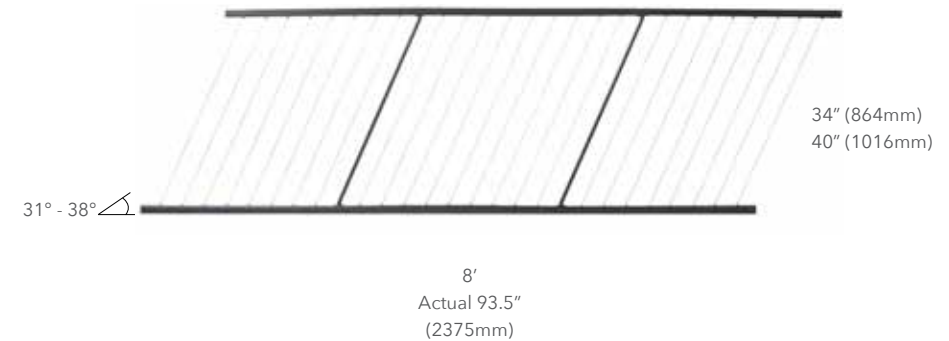
| PANELS

Panels can be used with several types of posts such as steel, wood, vinyl or composite

LEVEL



STAIR ADJUSTABLE





2 | POSTS & BRACKETS

POSTS

All post base plates are pre-drilled enabling ease of wiring for lighting installations.

39.5" (1003mm) | 49" (1245mm)
(Goes with 34" Railing panel)

45.5" (1156mm) | 55" (1397mm)
Goes with 40" Railing panel



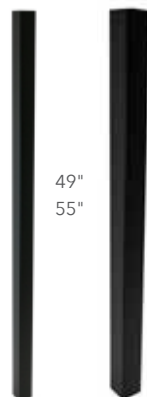
Post Base Cover included in Post Box with 39.5" and 45.5" Posts"



39.5"
45.5"
55"

SURFACE MOUNT

2" (51mm) 3" (76mm)



49"
55"

FASCIA MOUNT

2" (51mm) 3" (76mm)

For Fascia Mount applications only
Base Cover not Required

BRACKETS

Use UB-05 brackets with angle adjuster or SSB brackets for stair panel installation.

UNIVERSAL BRACKET Hidden Fasteners (Patented)



UB-05
(Level)



UB-05 ANG
Add to UB Bracket for Stair or Angle Application

FASCIA MOUNT BRACKET



STRAIGHT
BRACKET



INSIDE CORNER
BRACKET



OUTSIDE CORNER
BRACKET

PANEL ACCESSORIES

FLAT ACCENT TOP RAIL



6' | 8'
Actual 69.5" (1765mm) | Actual 93.5" (2375mm)



CAP RAIL CLIP

1.25" Cap Rail Clip only used with Cable Rail System - only available in Black Sand finish



POST ACCESSORIES

CAPS

Without Lighting Capability

For caps with lighting capabilities visit page 73 for more information



Pressed Dome Cap
2" | 3"



GATES Hinges, Locks and Latches are available

TRADITIONAL GATE



34.5" (876mm)

34" (864mm)
40" (1016mm)

GATE KIT #2

Works with Traditional Gate and Gate Uprights. Kit includes a Latch and 2 Hinges.



Hinge



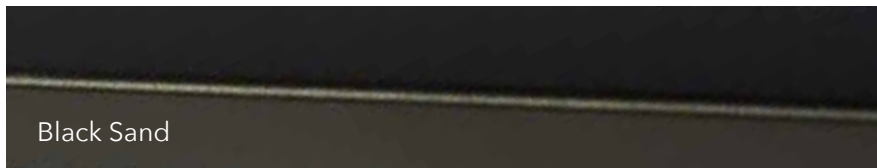
Lock & Latch





FORTRESS CABLE

SIMPLIFIED



www.FortressRailing.com

CABLE MADE. FORTRESS EASY.

Growth in the cable railing sector continues to outpace other types of railing. That's why we're proud to offer FortressCable H-Series, a simplified, panelized horizontal cable railing system true to the Fortress legacy of innovation and durability. Easy to install, H-Series panels offer modern styling with dependable welded construction and stainless steel cable and components. H-Series panels coordinate with parts and accessories in our V-Series and Fe²⁶ product lines.

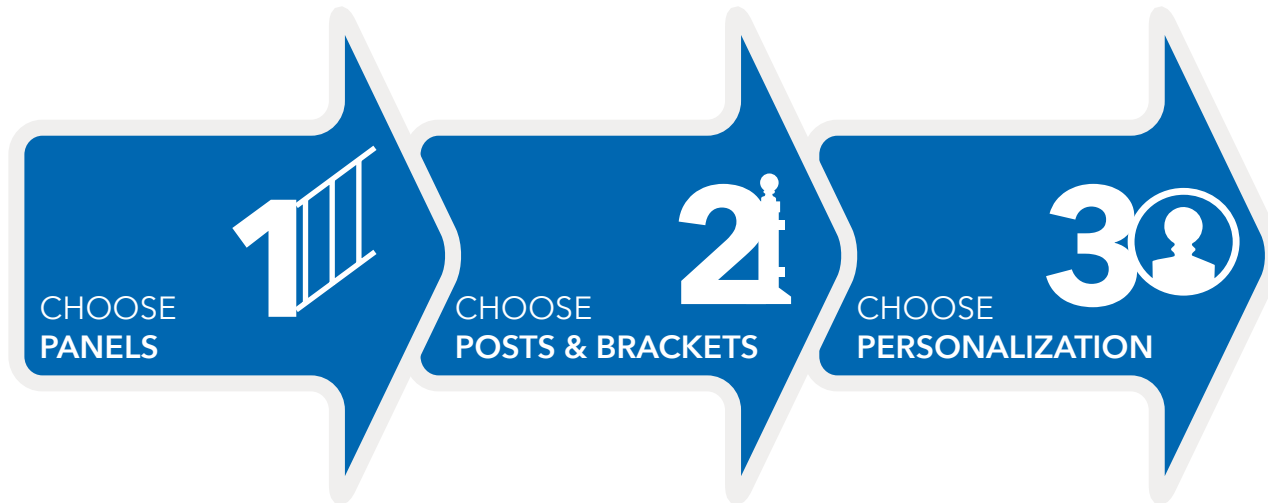




FEATURES & BENEFITS

- Pre-assembled cables for easy installation
- 316 marine grade stainless steel cable and components
- Works with wood or Fortress Steel Posts
- Patented bracket system
- Quick and easy installation for both level and stair applications
- Easy to modify panel lengths
- Hidden cable fasteners

SIMPLE ASSEMBLY EASY AS 1, 2, 3 FORTRESS



FORTRESS

PREMIUM FINISH

Fortress Cable Railing Black Sand finish is engineered to withstand the elements.

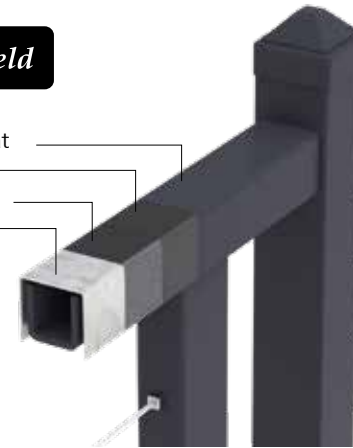


Black Sand

Protected with



Premium Powder Coat
E-Coat
Quality Pre-treatment
Zinc Galvanized





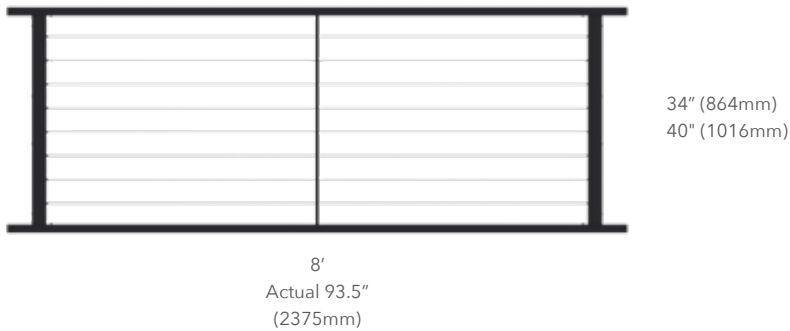
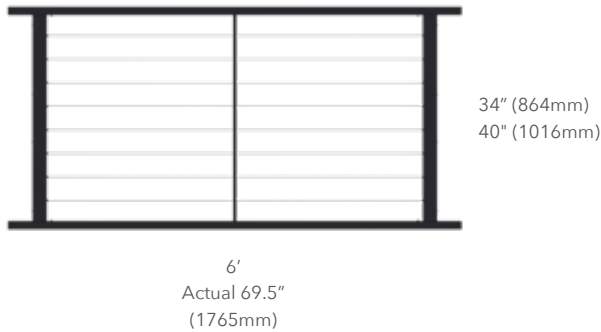
FORTRESS CABLE

SELECTION SIMPLIFIED

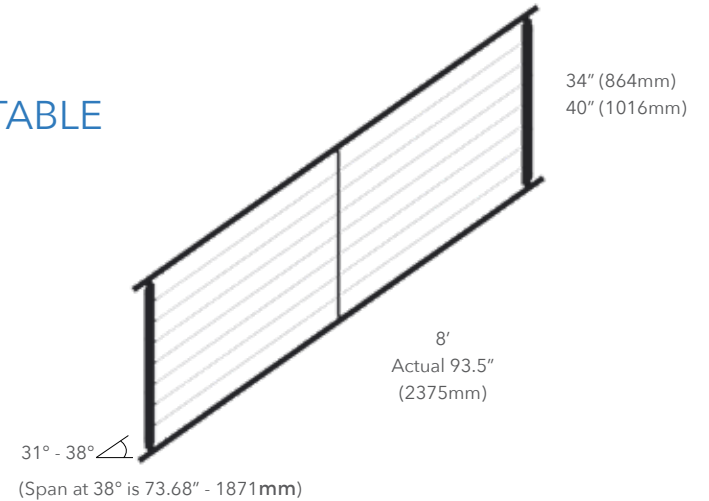
| PANELS

Panels can be used with several types of posts such as steel, wood, vinyl or composite

LEVEL



STAIR ADJUSTABLE





2 | POSTS & BRACKETS

POSTS

All post base plates are pre-drilled enabling ease of wiring for lighting installations.

39.5" (1003mm) | 49" (1245mm)
Goes with 34" Railing panel

45.5" (1156mm) | 55" (1397mm)
Goes with 40" Railing panel



Post Base Cover included in Post Box with 39.5" and 45.5" Posts"



SURFACE MOUNT

2" (51mm) 3" (76mm)



FASCIA MOUNT

2" (51mm) 3" (76mm)

For Fascia Mount applications only. Base Cover not Required

BRACKETS

Use UB-05 brackets with angle adjuster or SSB brackets for stair panel installation.

UNIVERSAL BRACKET Hidden Fasteners (Patented)



UB-05
(Level)



UB-05 ANG
Add to UB Bracket for
Angle Application

SIMPLIFIED STAIR BRACKET

For stair applications only. One package of 4 brackets are needed to install one stair panel.



SSB-05
Use for stair panel with 1.25" rails

FASCIA MOUNT BRACKET



STRAIGHT
BRACKET



INSIDE CORNER
BRACKET



OUTSIDE CORNER
BRACKET

PANEL ACCESSORIES

FLAT ACCENT TOP RAIL



6' | 8'
Actual 69.5" | Actual 93.5"
(1765mm) | (2375mm)



CAP RAIL CLIP

1.25" Cap Rail Clip only used with Cable Rail System - only available in Black Sand finish



POST ACCESSORIES

CAPS

Without Lighting Capability

For caps with lighting capabilities visit page 73 for more information



Pressed Dome Cap
2" | 3"



GATES Hinges, Locks and Latches are available

TRADITIONAL GATE



34.5" (876mm)

34" (864mm)
40" (1016mm)

GATE KIT #2

Works with Traditional Gate and Gate Uprights.
Kit includes a Latch and 2 Hinges.



Hinge



Lock & Latch





ALUMINUM RAILING

SIMPLIFIED



www.FortressRailing.com

ALUMINUM MADE. FORTRESS DURABLE.

Fortress Al¹³ is an innovative, first of its kind, fully pre-welded aluminum railing system. Distinctly different from aluminum kits, Fortress Al¹³ is attractive and easy to install with its simple bracket system. It also has superior performance in strength and safety, which is a unique benefit to a pre-welded system. Quality welding and premium powder coating create a virtually maintenance free system designed for use in a variety of environments.

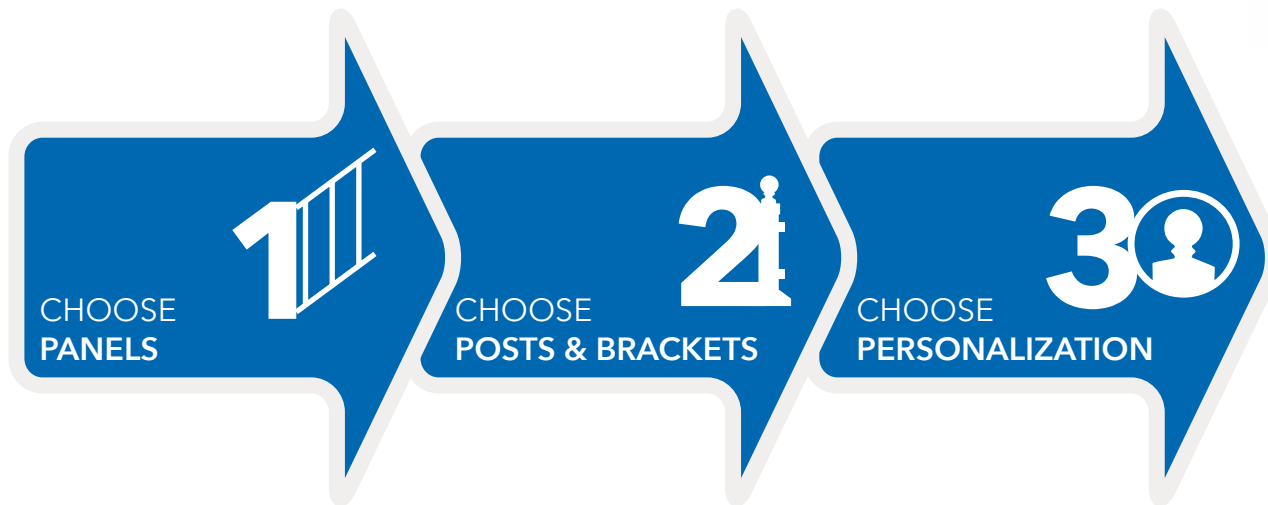




FEATURES & BENEFITS

- Pre-welded panels with patent pending bracket system
- Distinctly different from the traditional aluminum kits
- Tested in accordance with ICC-ES™ AC273, NBCC, OBC, ABC & BCBC
- Quick and easy installation
- 100% recyclable
- Superior performance in strength and safety
- Use with wood, composite, vinyl or Fortress Aluminum Posts

SIMPLE ASSEMBLY EASY AS 1, 2, 3 FORTRESS



FORTRESS

PREMIUM FINISH

Fortress Al¹³ Aluminum Railing is available in three premium finishes engineered to withstand the elements.



Protected with



Premium Grade Powder Coat
Quality Pre-Treatment
Alloy Tube





ALUMINUM RAILING

SELECTION SIMPLIFIED

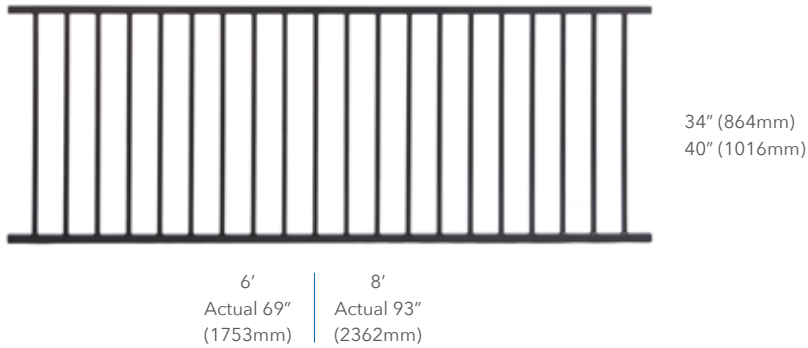


PANELS

Panels can be used with several types of posts such as Metal, Wood, Vinyl or Composite

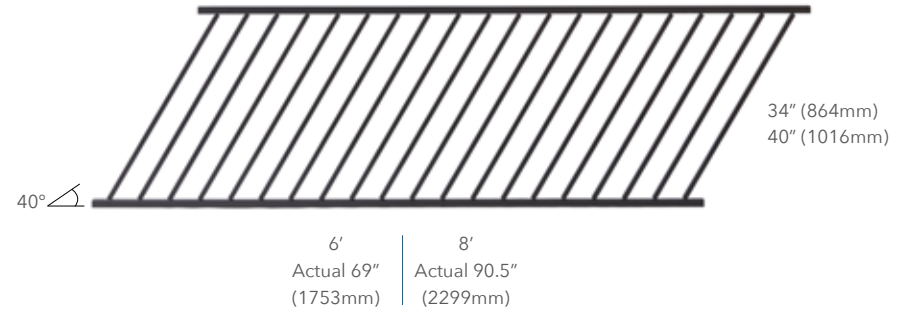
LEVEL

TRADITIONAL



STAIR

TRADITIONAL ADJUSTABLE





2 | POSTS & BRACKETS

POSTS

All post base plates are pre-drilled enabling ease of wiring for lighting installations.

39.5" (1003mm)
Goes with 34" Railing panel)

45.5" (1156mm)
Goes with 40" Railing panel or 34" Railing panel when using Accent Top Panels

55" (1397mm)
Goes with stair panel when a taller post is needed due to the angle of the stairs



39.5"
45.5"
55"



Post Base Cover included in Post Box with Posts

3"
(76mm)

BRACKETS - PATENT PENDING

EVOLVE BRACKETS

Hidden Fasteners



External (Level) Patented



External Large only use when installing an Accent Top Panel - (Level)



Stair



Angle used for Miter applications

Low Profile Fasteners



Internal (Level) Use Stair/Angle brackets from above to coordinate



P2 Level Must use when installing Accent Top Rail, can also be used to install Accent Top Panel (Level and Angle/Miter)



P2 Stair

PANEL ACCESSORIES

ACCENT TOP PANEL

Actual 93" (2362mm) x 5" (127mm)

8' Ring Top



8' Circle Top



8' 3 Rail



CAP RAIL CLIP

Use to attach wood or composite board to top rail of panel



ACCENT TOP RAIL

Actual 93" (2362mm)

8' Colonial Flat Accent Top Rail



POST ACCESSORIES

CAPS

Without Lighting Capability

For caps with lighting capabilities visit page 73 for more information



Flat Pyramid Cap
3"



Ball Cap
3"



GATES Hinges, Locks and Latches are available

TRADITIONAL GATE

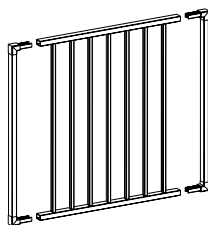


34" (864mm)
40" (1016mm)

34.5" (876mm)

GATE UPRIGHTS

Make a gate



34" (864mm)
40" (1016mm)

Maximum Overall
width 48" (1219mm)



GATE KIT #2

Works with Traditional Gate and Gate Uprights.
Kit includes a Latch and 2 Hinges.



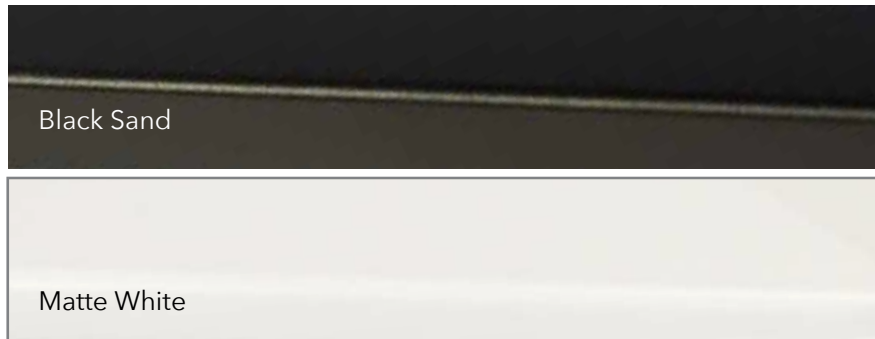
Hinge



Lock & Latch



ALUMINUM RESIDENTIAL RAILING | SIMPLIFIED



www.FortressRailing.com

ALUMINUM MADE. FORTRESS DURABLE.

Fortress Al¹³ HOME is a high-quality yet affordable residential aluminum railing solution that includes several customization options including an over-the-post option for a streamlined look. Crafted to the same high standards as all Fortress Railing Products, Al¹³ HOME offers the deck builder, contractor, and DIYer simple and straightforward installation in a solution that offers superior strength and safety.

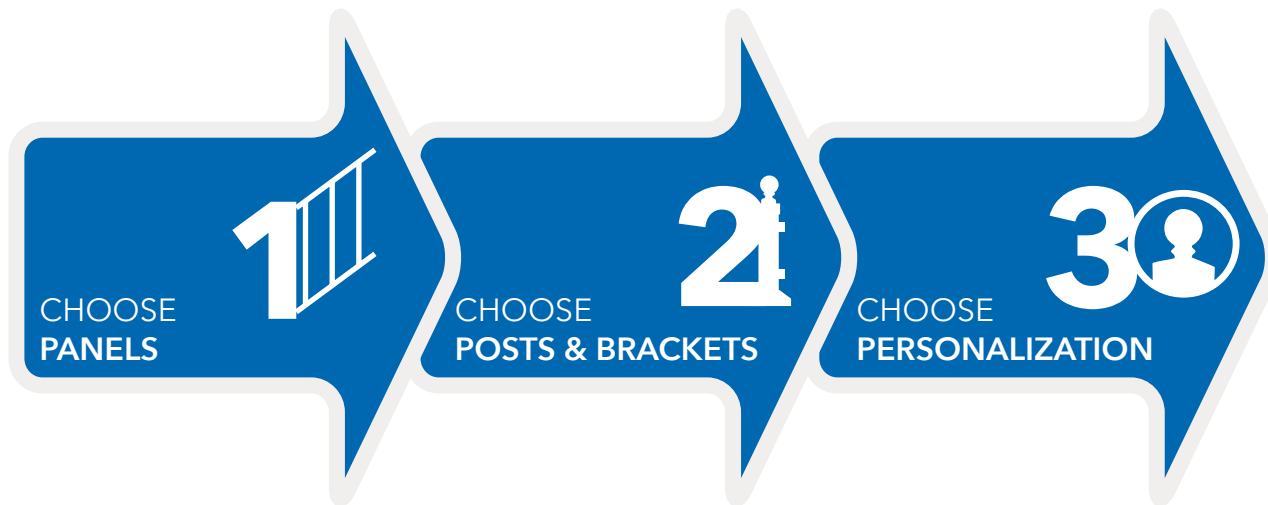




FEATURES & BENEFITS

- Pre-welded panels provide consistent quality, quick installation and no picket rattle
- Posts with pre-attached brackets decrease installation errors and on-site issues while making ordering simple
- Thin picket width offers high visibility and a clean look without compromising quality
- FortressLock finish makes the product long lasting and durable, providing a limited lifetime warranty
- 2" Over-The-Post and 2" and 3" Proud Post options offer ultimate flexibility, with many top rail finishing choices

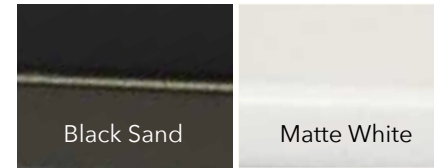
SIMPLE ASSEMBLY EASY AS 1, 2, 3 FORTRESS



FORTRESS

PREMIUM FINISH

Fortress Al¹³ HOME Aluminum Railing is available in two premium finishes engineered to withstand the elements.



Protected with



Premium Grade Powder Coat

Quality Pre-Treatment

Alloy Tube





ALUMINUM RESIDENTIAL RAILING | SELECTION SIMPLIFIED



PANELS

Panels can be used with several types of posts such as Steel, Wood, Vinyl or Composite

LEVEL

TRADITIONAL



6'	8'
Actual 69.5"	Actual 93.5"
(1765mm)	(2375mm)
Includes I-Support	Includes I-Support



STAIR

TRADITIONAL ADJUSTABLE



6'
Actual 72"
(1829mm)
Includes I-Support





2 | POSTS & BRACKETS

POSTS

All post base plates are pre-drilled enabling ease of wiring for lighting installations

Use 2" blank posts for Proud Post and stair applications

Use 2" pre-attached bracket posts for Over-The-Post applications

Use 3" blank and pre-attached bracket posts for Proud Post applications



(Post Base Cover included in Post Box)



SURFACE MOUNT
2" (51mm) 3" (76mm)

2"
36" (915mm)
42" (1062mm)
51" (1295mm)

3"
39.5" (1003mm)
45.5" (1156mm)
51" (1295mm)



PRE-ATTACHED BRACKETS
Corner Line End

2" (51mm) Over-The-Post

36" (915mm)
42" (1067mm)



PRE-ATTACHED BRACKETS
Corner Line End

3" (76mm) Proud Post

39.5" (1003mm)
45.5" (1156mm)

BRACKETS

Hidden Fasteners (Patented)



Straight (Level)
Use to connect your railing panel to your post on a level application



Angle
Use to connect your railing panel to your post for an angle application



Simplified Stair Bracket
Use to connect your railing panel to your post for a stair application

PANEL ACCESSORIES

ACCENT TOP RAILS

Actual 93" (2362mm) x 5" (127mm)

ROUND LEVEL

6'	8'	16'
Actual 69.89"	Actual 93.89"	Actual 189.78"
(1775mm)	(2385mm)	(7820mm)



STAIR

6'	8'
Actual 79.375"	Actual 100.875"
(2016mm)	(2562mm)



FLAT LEVEL

6'	8'	16'
Actual 69.89"	Actual 93.89"	Actual 189.78"
(1775mm)	(2385mm)	(7820mm)



STAIR

6'	8'
Actual 79.375"	Actual 100.875"
(2016mm)	(2562mm)

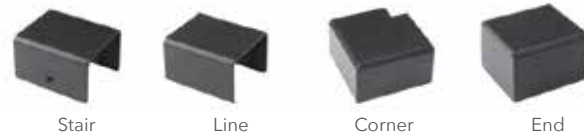


ACCENT TOP RAIL SPLICES

ROUND



FLAT



CAP RAIL CLIP

Use to attach wood or composite board to top rail of panel



Wood screws included
28" (711mm) spacing recommended

POST ACCESSORIES

CAPS

(Without Lighting Capability)

For caps with lighting capabilities visit page 73 for more information



2"

3"





GLASS RAILING SIMPLIFIED

STEEL



ALUMINUM



www.FortressRailing.com

GLASS MADE. FORTRESS CLEAR.

Traditionally when using a glass system it is complicated to order and install. Fortress has simplified the Glass Railing industry by developing a simple and easy drop in solution. Choose your design by the choice of Full Glass Panel or Glass Balusters and enjoy the view with peace of mind that your system is not only beautiful but Fortress Strong.

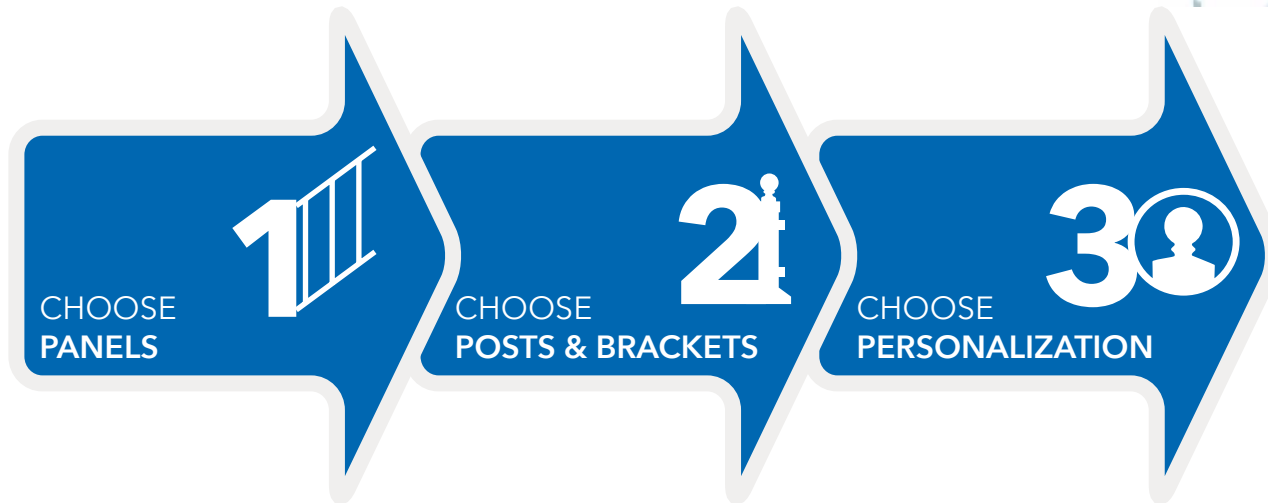




FEATURES & BENEFITS

- Open your view - it's clearly a good idea!
- Quicker, easier installation with "Drop In" style glass panel and balusters
- Minimal rail profile for unobstructed view
- Works with wood, composite, vinyl or Fortress Posts
- Premium powder coat offers long term, low maintenance system
- Cost effective and elegant glass railing system eliminating custom cutting of glass panels
- Glass systems tested in accordance with ICC-ES™ AC273, IRC & OBC/NBCC

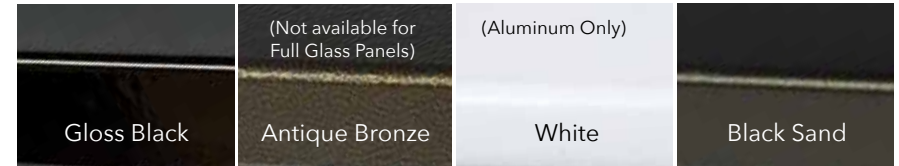
SIMPLE ASSEMBLY EASY AS 1, 2, 3 FORTRESS



FORTRESS

PREMIUM FINISH

Fortress Pure View Glass Railing is available in four premium finishes engineered to withstand the elements.

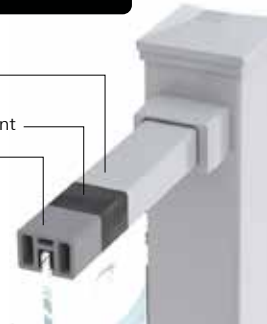


Protected with
FORTRESS LOCK

Protected with
FortressShield

Premium Grade Powder Coat
Quality Pre-Treatment
Alloy Tube

Premium Powder Coat
E-Coat
Quality Pre-treatment
Zinc Galvanized



Aluminum Rails



Steel Rails



GLASS RAILING SELECTION SIMPLIFIED

| PANELS

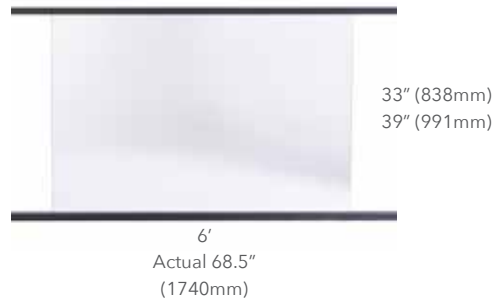
Panels can be used with several types of posts such as steel, wood, vinyl or composite.

LEVEL

FULL GLASS PANEL (ALUMINUM RAILS)

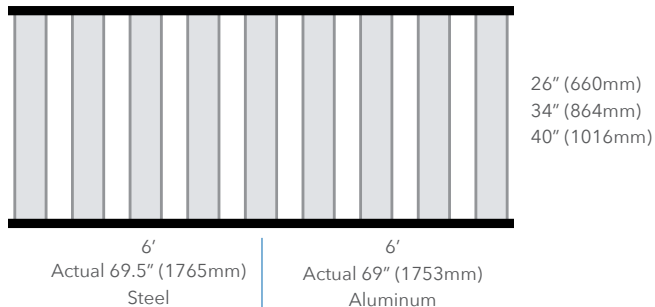
Glass Widths:

Actual 12.25" (311mm)	Actual 31.25" (794mm)	Actual 46.25" (1175mm)
Actual 18.25" (464mm)	Actual 36.25" (921mm)	Actual 51.25" (1302mm)
Actual 24.25" (616mm)	Actual 41.25" (1048mm)	Actual 56.25" (1429mm)
		Actual 61.25" (1556mm)



GLASS BALUSTERS - ALUMINUM & STEEL RAIL OPTIONS

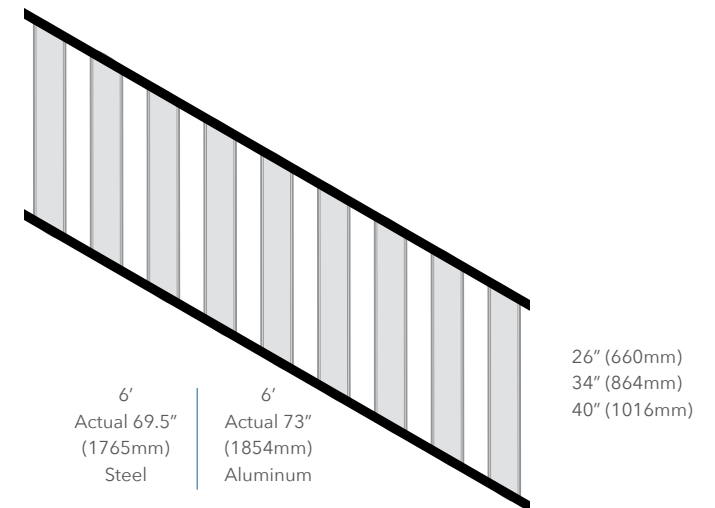
Choose from Steel or Aluminum for your pre-slotted rails.



STAIR

GLASS BALUSTERS ADJUSTABLE ALUMINUM & STEEL RAIL OPTIONS

Choose from Steel or Aluminum for your pre-slotted adjustable rails.





2 | POSTS & BRACKETS

POSTS

All post base plates are pre-drilled enabling ease of wiring for lighting installations.

39.5" (1003mm)
Goes with any rail panel height of 34" and below

45.5" (1156mm)
Goes with 40" rail panel



Post Base Cover included in Post Box with 39.5" and 45.5" Posts

2" (51mm) Steel

3" (76mm) Steel & Aluminum

BRACKETS

STEEL COLLAR BRACKET

Traditional Fasteners



CB-05 (Level)

CBS-ADJ-05 (Angle)

CB-ADJ-05 (Stair)

UNIVERSAL BRACKET

Hidden Fasteners (Patented)



UB-05 (Level)

UB-ANG-05 Add to Universal Bracket for Stair or Angle Applications

ALUMINUM EVOLVE BRACKET

Hidden Fasteners (Recommended)



External (Level) PatentED

External Large only use with Accent Top Panels

Stair

Angle

Low Profile Fasteners



Internal (Level)

P2 Level Must use when using Accent Top Rail or for use with Accent Top Panels (Level or Angle)

P2 Stair (Stair)

POST ACCESSORIES

CAPS

Without Lighting Capability

For caps with lighting capabilities visit page 73 for more information



2" | 3"
Ball Cap
Steel Only
(Gloss Black)



2" | 3"
Pressed Dome Cap
Steel Only



3"
Ball Cap
Aluminum only



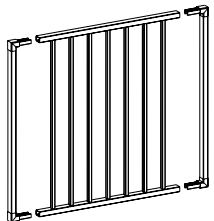
3"
Flat Pyramid Cap
Aluminum Only

GATES

GATE UPRIGHTS (MAKE A GATE)

For glass railing projects, Fortress recommends an Al¹³

Vertical picket fill in



34" (864mm)
40" (1016mm)

Maximum width of 48" (1219mm)



Aluminum Gate Upright Kit

GATE KIT #2

Works with Traditional Gate and Gate Uprights.
Kit includes a Latch and 2 Hinges.



Hinge



Lock & Latch





BALUSTER RAILING SIMPLIFIED



www.FortressRailing.com

STEEL AND GLASS MADE. FORTRESS STYLE.

Fortress Railing Balusters are offered in four distinct series: Vienna, Vintage, Mega and Glass. Each series offers its own style and identity to transform your individual project design into reality. Steel Balusters are pre-galvanized and premium powder coated to provide the ultimate combination of strength and appearance with low maintenance living.

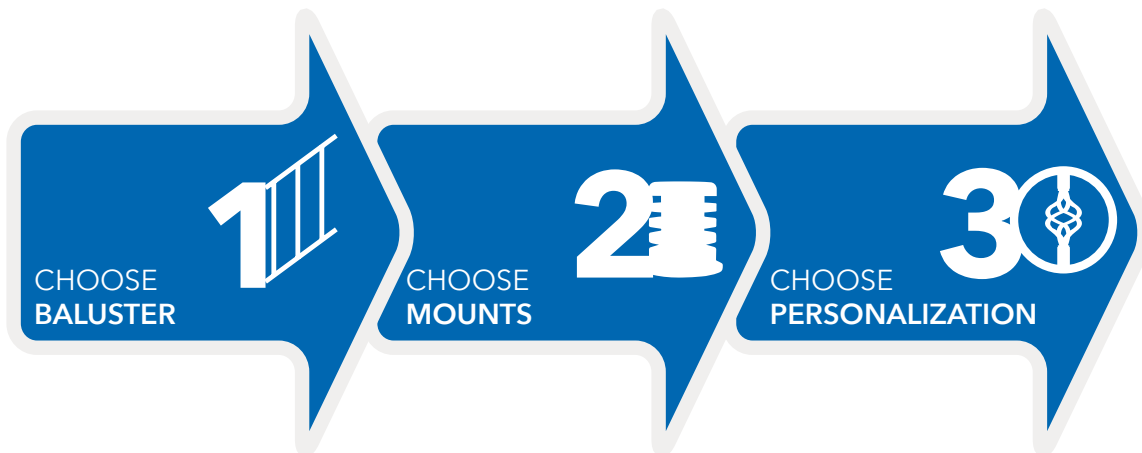




FEATURES & BENEFITS

- 100% galvanized steel balusters with premium powder coat finish
- Face Mount installation or Surface Mount installation options
- Mix and match stylish designs including: Square, Round, 1 basket, 2 basket, 1 twist, and 2 twist
- Easy to install with our Fortress mounting system
- Use with wood, composite or vinyl rails and posts
- This is a great way to replace wood balusters with something more durable

SIMPLE ASSEMBLY EASY AS 1, 2, 3 FORTRESS



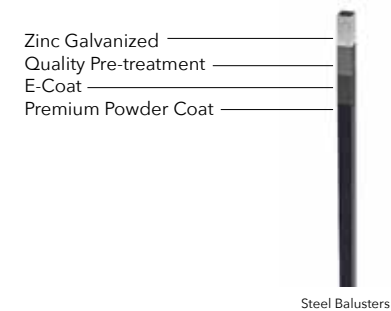
FORTRESS

PREMIUM FINISH

Fortress Steel Railing Balusters are available in up to five premium finishes engineered to withstand the elements.



Protected with





STEEL & GLASS BALUSTERS

SELECTION SIMPLIFIED

BALUSTER

STEEL: FACE MOUNTED

(No Mounts needed, screws included)

VIENNA: BELLY



VIENNA: BOW



VINTAGE: SQUARE



STEEL: SURFACE MOUNTED

(Mounts on page 43)

VINTAGE: ROUND



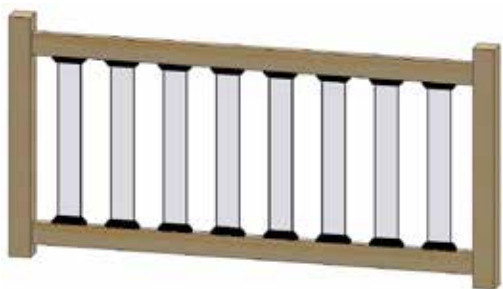
MEGA: SQUARE





GLASS: SURFACE MOUNTED

GLASS BALUSTER WITH: SHOE MOUNT



26" (660mm)
34" (813mm)
40" (1016mm)

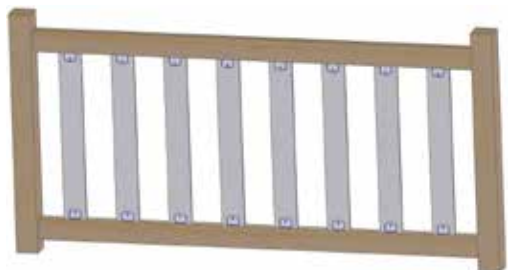
GLASS BALUSTER WITH: SANDWICH MOUNT

(Stainless Steel Screw w/Washer)



26" (660mm)
34" (813mm)
40" (1016mm)

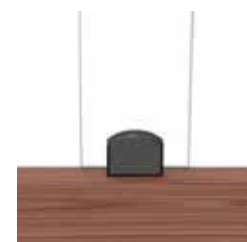
GLASS BALUSTER WITH: MOUNTING CLIP



26" (660mm)
34" (813mm)
40" (1016mm)



Shoe Mount



Mounting Clip



Sandwich Mount

2 | MOUNTS: Surface Mount Applications

STEEL

VINTAGE: ROUND EZ MOUNTS



LEVEL



STAIR

VINTAGE: ROUND NYLON SHOE MOUNTS



LEVEL



STAIR

MEGA: SQUARE EZ MOUNTS



LEVEL



STAIR

MEGA: SQUARE NYLON SHOE MOUNTS



LEVEL



STAIR

2 | MOUNTS

GLASS
SHOE



Available in Level and Stair Options for Glass Balusters

MOUNTING CLIP



Can be used with Level or Stair Glass Balusters

RAIL TO POST CONNECTIONS



2" x 4" Nylon Rail Bracket
Use for Level or Stair Rail Connections



45 degree/Angle (Miter) 2" x 4" Nylon Rail Bracket

30 | PERSONALIZATION

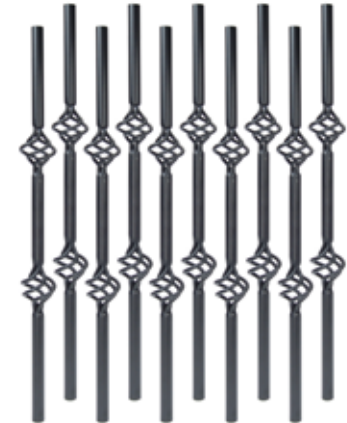
BALUSTER DESIGN OPTIONS

1 BASKET



Available for Vintage Round, Vintage Square and Mega Square

2 BASKET



1 TWIST



Available for Vintage Square and Mega Square, excluding 42" option

2 TWIST



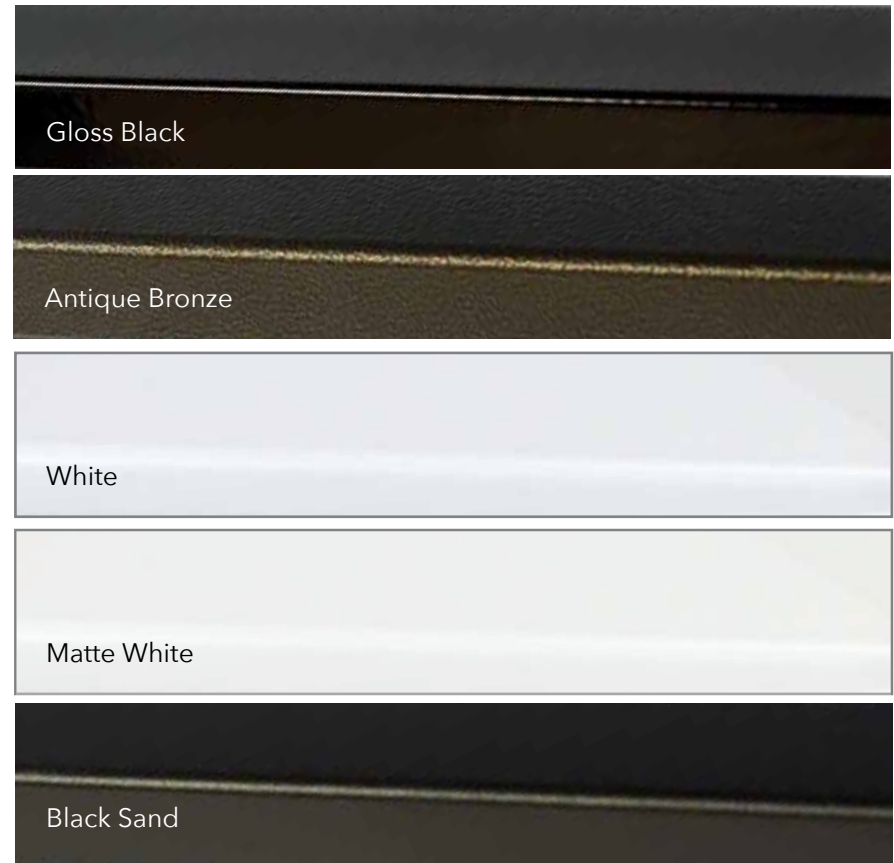


HANDRAIL SYSTEM SIMPLIFIED

SQUARE STEEL



ROUND ALUMINUM



www.FortressRailing.com



STEEL AND ALUMINUM MADE. FORTRESS SECURE.

Handrails are an important part of making your ramp or stairs friendly for those who need assistance. Fortress Railing Products offers two hand rail systems, square and round, both of which integrate with our Fortress Railing product lines to create a safe, durable yet beautiful stair installation on your project. Have the peace of mind in knowing it will not only be safe but long lasting and virtually maintenance free.

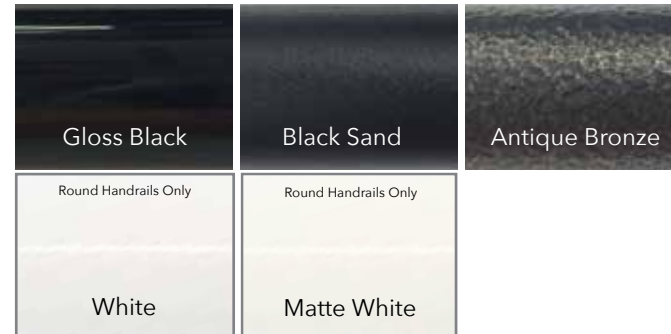


FEATURES & BENEFITS

- Quick and easy installation
- Superior performance in strength and safety
- Brackets and adapters allow for installation at virtually any angle
- Meets ADA standards for accessible design (Round)
- 100% Recyclable (Round)

PREMIUM FINISH

Fortress Handrails are available in up to five premium finishes engineered to withstand the elements.

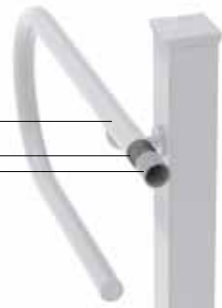


ROUND HANDRAIL

Protected with



Premium Grade
Powder Coat
Quality Pre-Treatment
Alloy Tube



Aluminum Rails

SQUARE HANDRAIL

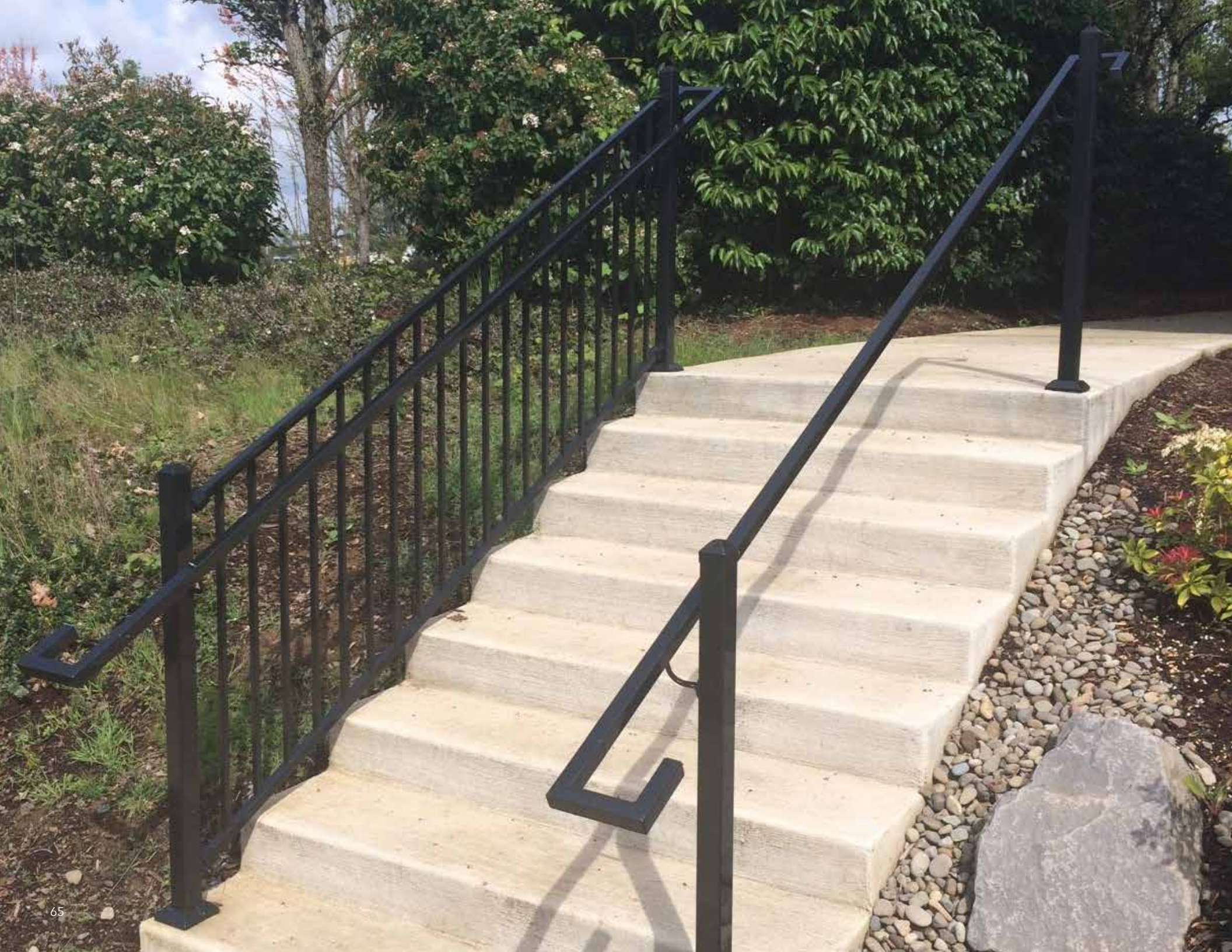
Protected with



Premium Powder Coat
E-Coat
Quality Pre-treatment
Zinc Galvanized



Steel Rails



SQUARE: HANDRAIL SYSTEM

1



SQUARE HANDRAIL
93.5" x 1.25" (2375mm x 32mm)

2



RAKE RAIL PLUG
10" (254mm)

3



BRACKET #302
2.68" (68mm)

4



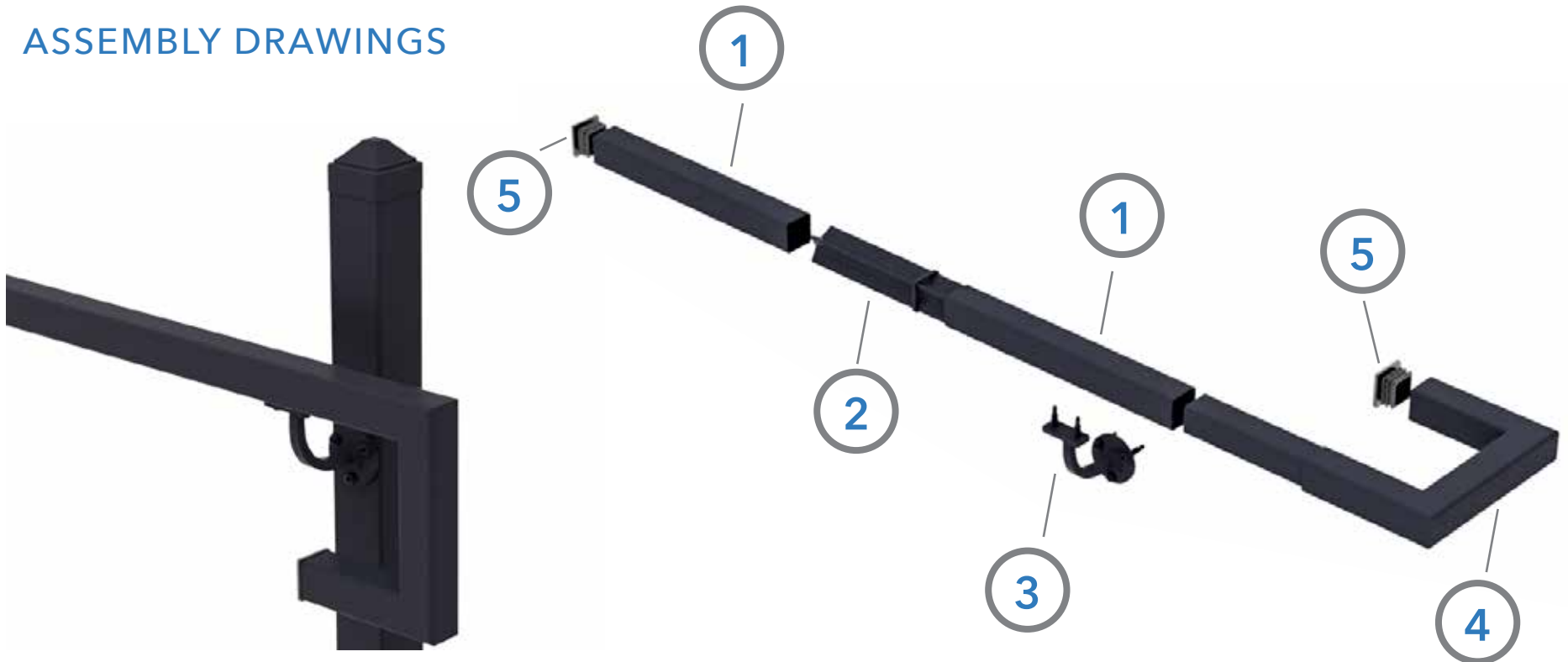
HR-RETURN
HR-Ext 4.5" x 7" (125mm x 178mm)

5



NYLON POST CAP
.75" (19mm)

ASSEMBLY DRAWINGS





ROUND: HANDRAIL SYSTEM

1



8' ROUND HANDRAIL
97" x 1.5" (2464 mm x 38mm)

2



SPLICE
3" (76 mm)

6



RETURN 90 DEGREE
4" x 4.5" (101mm x 114mm)

7



INSIDE CORNER BRACKET
5.09" (112mm)

ASSEMBLY DRAWINGS



3



ANGLE ADJUSTER
5.4" (137mm)

4



TERMINATION BRACKET
4" x 3" (101mm x 76mm)

5



STRAIGHT TERMINATION BRACKET
2.49" (63mm)

8



BRACKET
2.4" x 3" (61mm x 76mm)

9



END LOOP 180 DEGREE
12" x 20.75" (305mm x 527mm)

10



CAP PLUG
.72" (18mm)

5



2



6



1



4

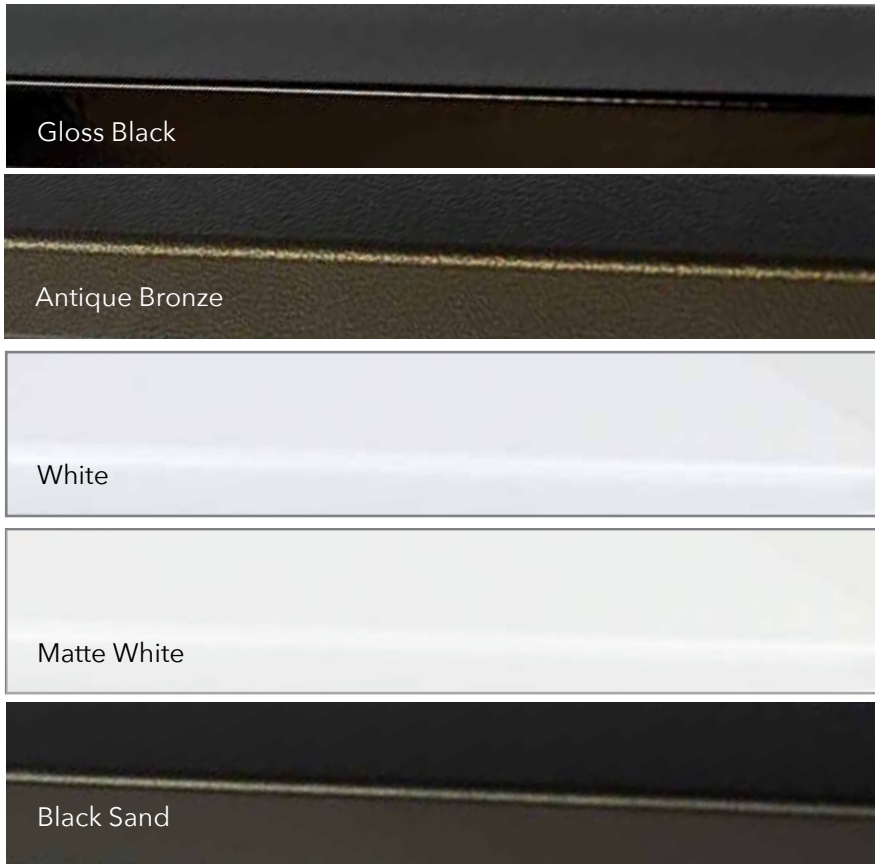


8





POST CAPS, BASE COVERS & LED LIGHTING | SIMPLIFIED



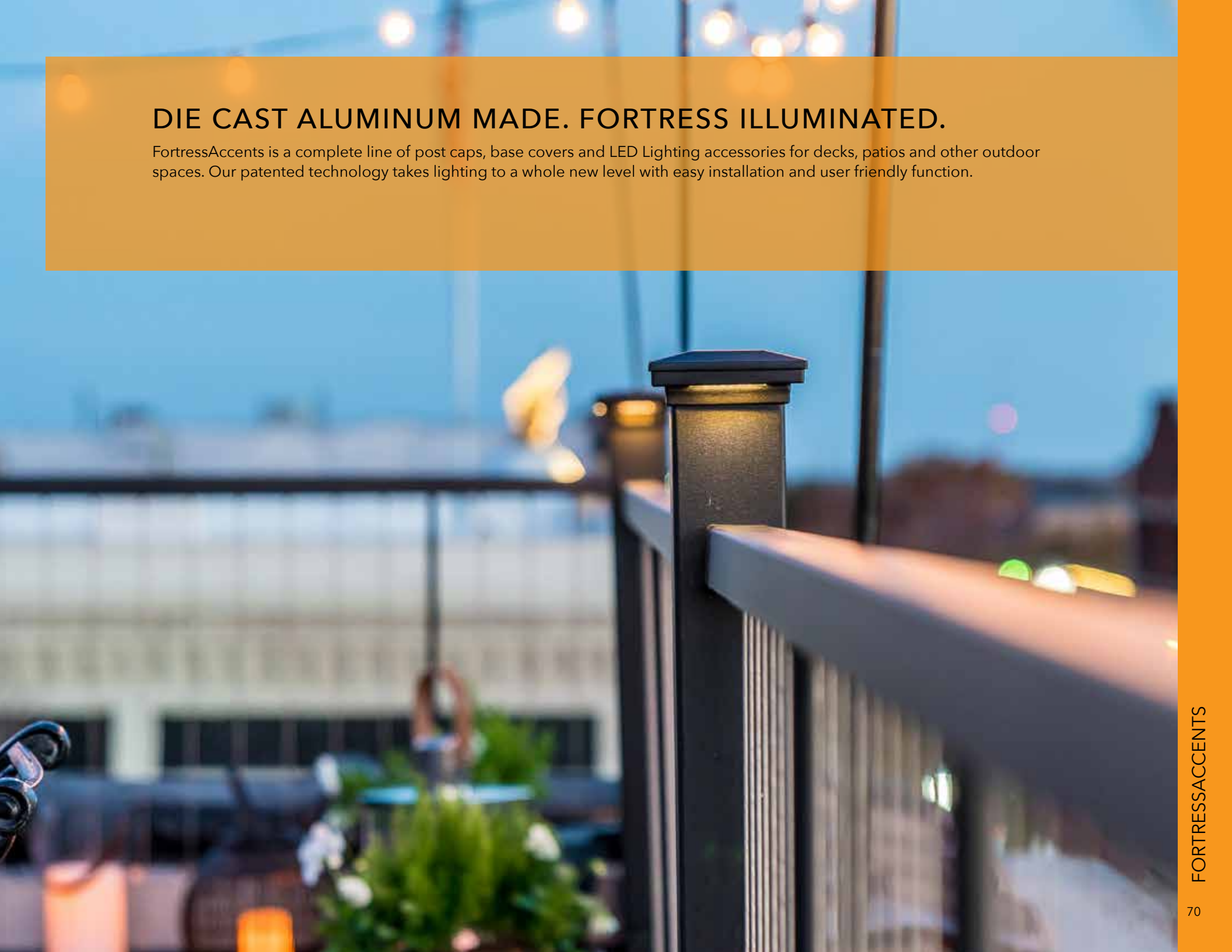
Post Caps and Lighting



www.FortressRailing.com

DIE CAST ALUMINUM MADE. FORTRESS ILLUMINATED.

FortressAccents is a complete line of post caps, base covers and LED Lighting accessories for decks, patios and other outdoor spaces. Our patented technology takes lighting to a whole new level with easy installation and user friendly function.





FEATURES & BENEFITS

- Strong and durable die-cast aluminum post base covers and caps
- Multiple energy-efficient LED lighting options
- Versatile - use with a variety of decking and railing materials
- Most FortressAccents components are ETL listed
- LED lighting is virtually maintenance free backed by a 10 year warranty

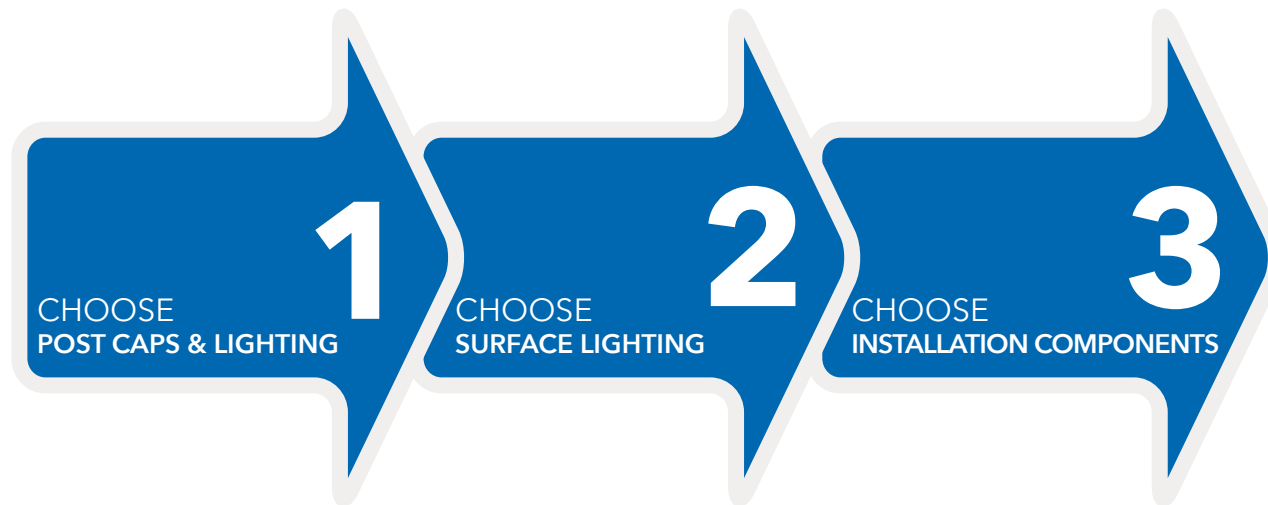
PREMIUM FINISH

FortressAccents LED lighting is available in five premium finishes engineered to withstand the elements.



SIMPLE ASSEMBLY

EASY AS 1, 2, 3 **FORTRESS**



FORTRESS



LED LIGHTING SELECTION SIMPLIFIED

ONE | POST CAPS & POST CAP LIGHTING

POST CAPS



2" | 3" | 3.5" | 4" | 5" | 6"
Gloss Black



3" | 3.5" | 4" | 5" | 6"
White



2" | 3" | 3.5" | 4" | 5" | 6"
Antique Bronze



2" | 3"
Matte White



2" | 3" | 3.5" | 4" | 5" | 6"
Black Sand

LED CAP LIGHT KIT

Transform Flat Pyramid Caps by simply dropping in the LED Cap Light Kit during new or existing FortressAccents Flat Pyramid Cap installation.

- Light 1, 2, 3 or all 4 sides
- 0.5 Watt each light. Total 2 Watts
- Module (single light) 0.5 Watt



LED GLOW RING

Transform Flat Pyramid Caps by dropping in an LED Glow Ring during new or existing FortressAccents Flat Pyramid Cap installation.

- Available in 2", 3", 3.5", 4", 5" and 6" to fit respective sizes of FortressAccents Caps
- 1.5 Watt





TWO | LED LIGHTING

LED VERTICAL POST LIGHT



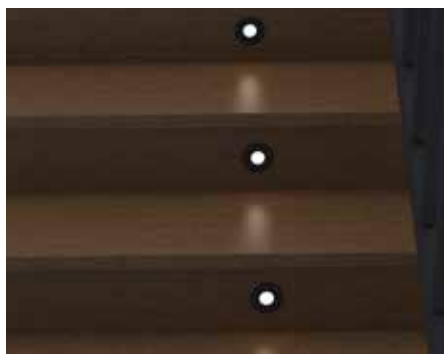
Dress up your posts with LED Vertical Post Lights. They are perfect for corner posts near stairs to illuminate walkways. (0.25 Watt)



LED SURFACE MOUNT LIGHT & FORSTNER BIT



Light your deck surface, path or stair treads with LED Surface Mount Lights. Use Forstner Bit for easy installation (0.25 Watt)



LED UNIVERSAL LIGHT



LED Universal Lights are ideal for any location. Place them under the rails of a Fortress Railing panel or on stairs. (0.25 Watt)



THREE | INSTALLATION COMPONENTS

PREMIUM TRANSFORMERS (40W & 100W)

- Die-cast aluminum housing ensures long transformer life, even in wet and adverse weather conditions
- Integrated photocell and timer use advance technology to save energy and significantly extend the useful life of the LED lighting
- Easy-to-see touch controls and wireless remote provide convenient and accurate user light control



suitable for wet locations

TRANSFORMER KIT (36W)

- Includes dimmer, timer, and photocell
- ETL Listed to ensure adherence to industry quality standards



(includes dimmer, timer and photocell)

TRANSFORMER (30W)

- ETL-Listed to ensure adherence to industry quality standards



BULK WIRE 18-2 AWG

Recommended for installation of
FortressAccents LED lighting





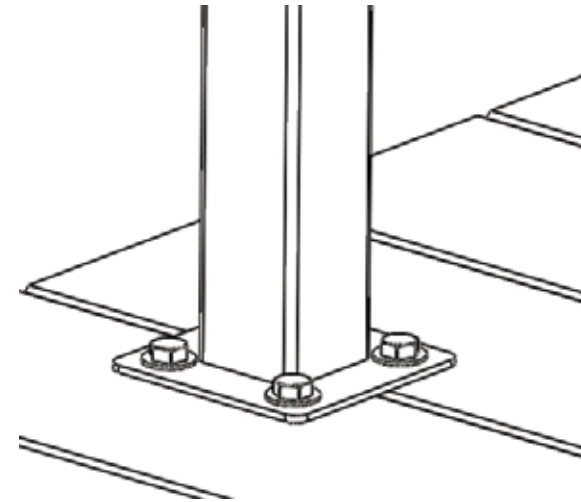


PANEL SYSTEM SIMPLIFIED



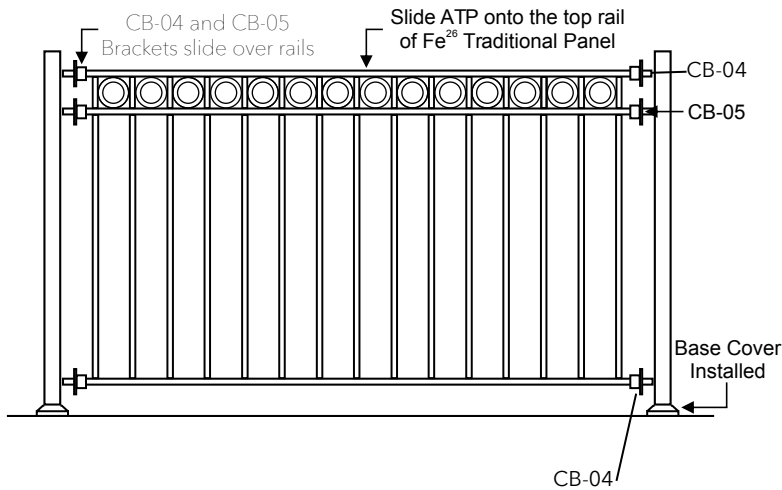
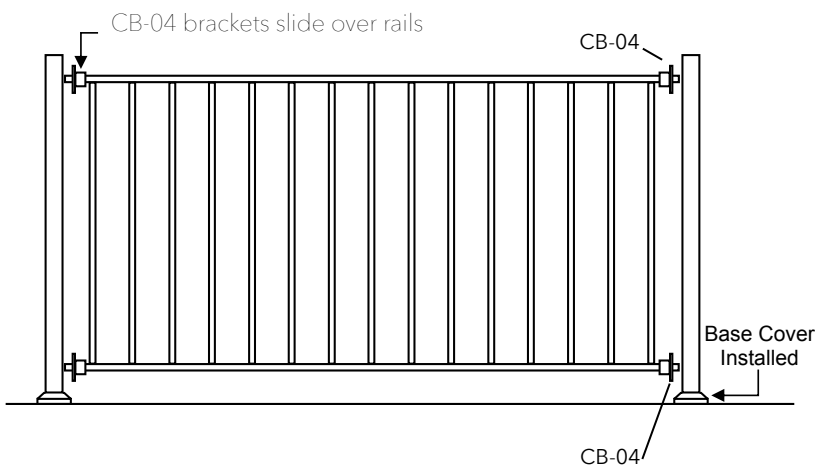
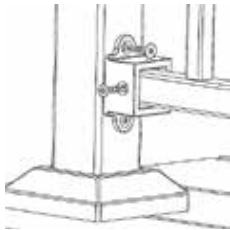
STEEL RAILING

MOUNT POSTS

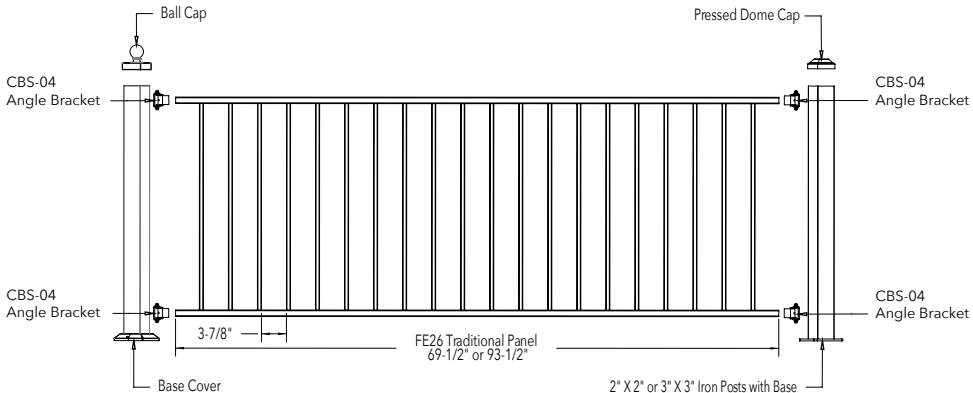


Fortress Posts must always be secured to the deck framing and should never be attached to the deck boards only.

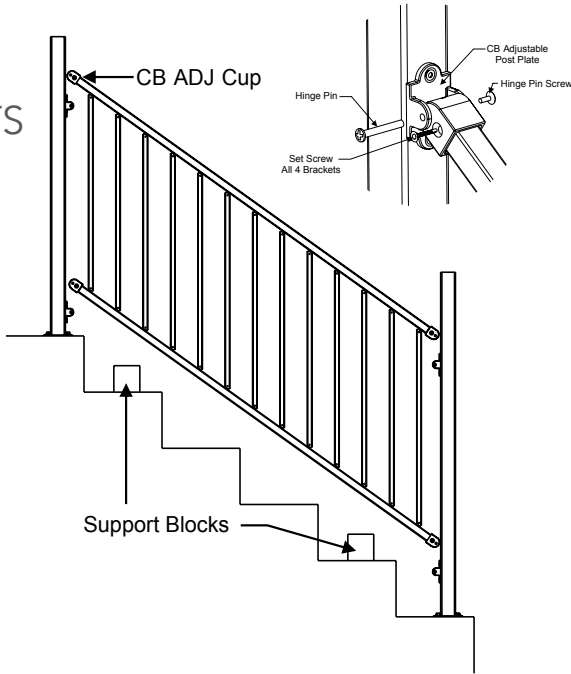
OPTION 2: COLLAR BRACKETS



COLLAR BRACKET: ANGLE/MITER (CBS-04)



STAIR WITH COLLAR BRACKETS



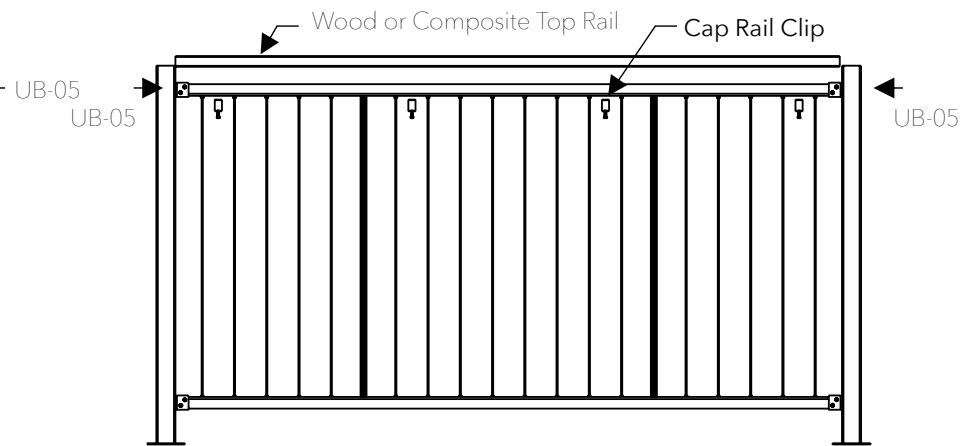
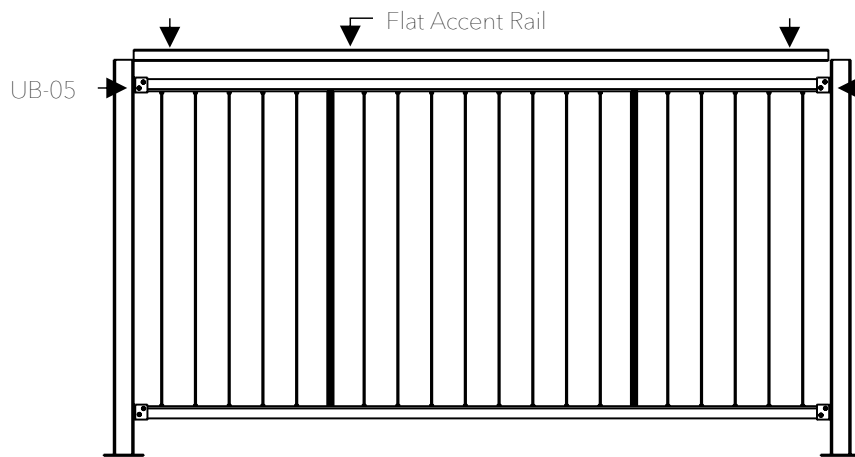
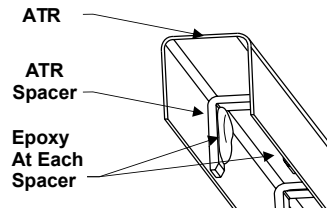


FORTRESSCABLE

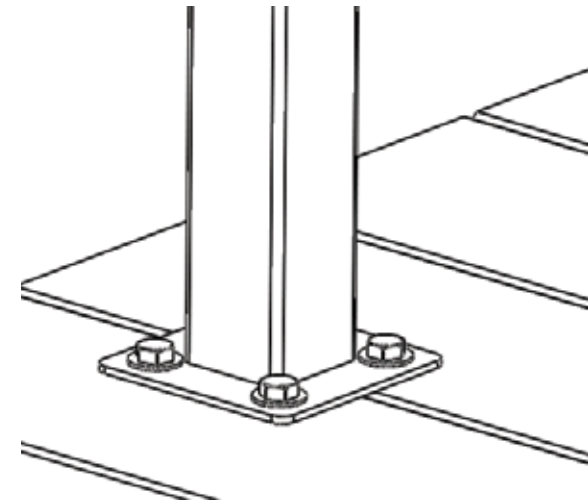
MOUNT BRACKETS & PANELS

OPTION 1:

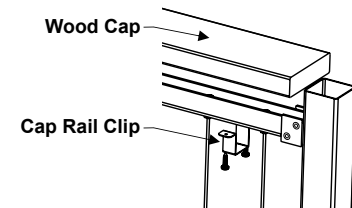
UNIVERSAL BRACKETS WITH
ACCENT TOP RAIL/WOOD OR
COMPOSITE TOP RAIL



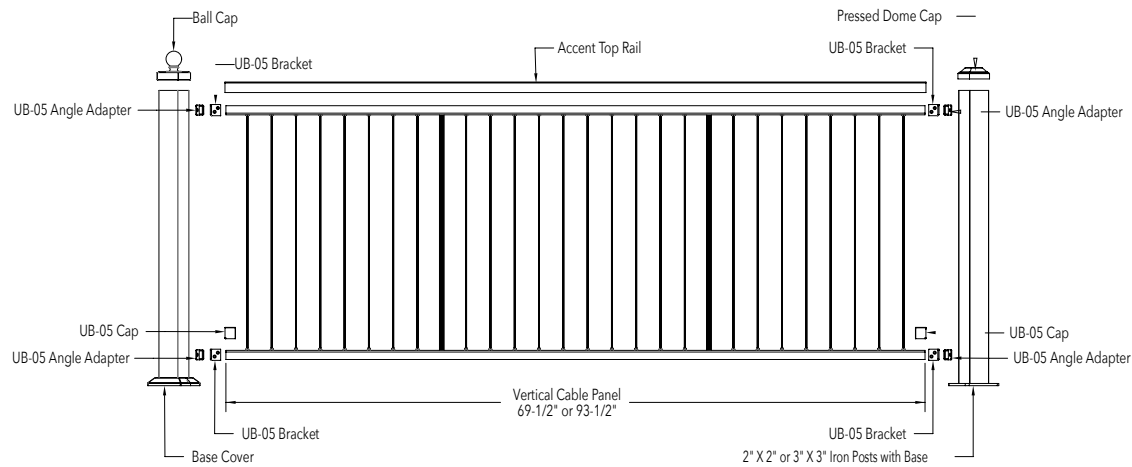
MOUNT POSTS



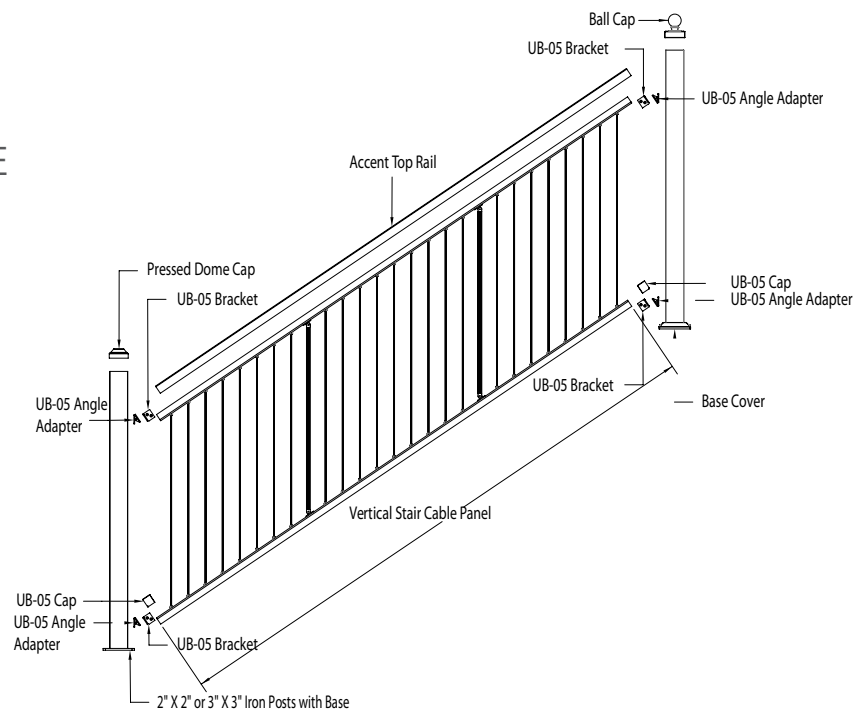
Fortress Posts must always be secured to the deck framing and should never be attached to the deck boards only.



UNIVERSAL BRACKETS: ANGLE/MITER WITH UB-05 ANGLE ADAPTER



UNIVERSAL BRACKETS: STAIR WITH UB-05 ANGLE ADAPTER

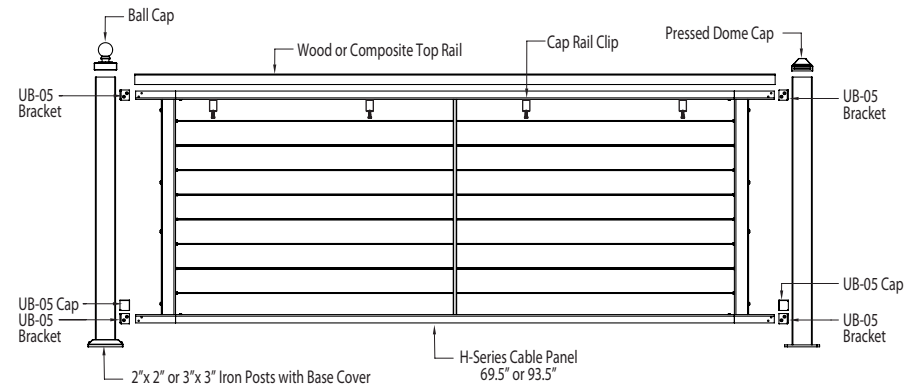
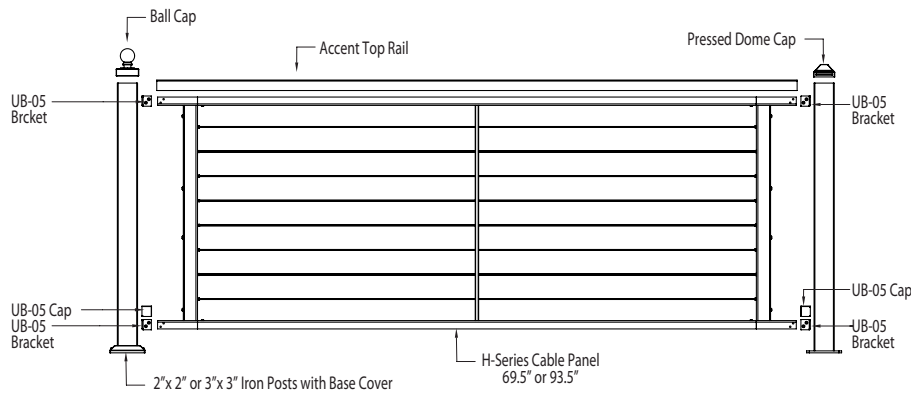
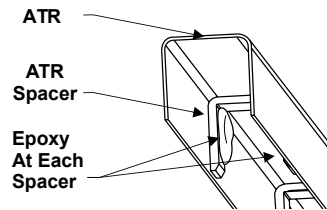




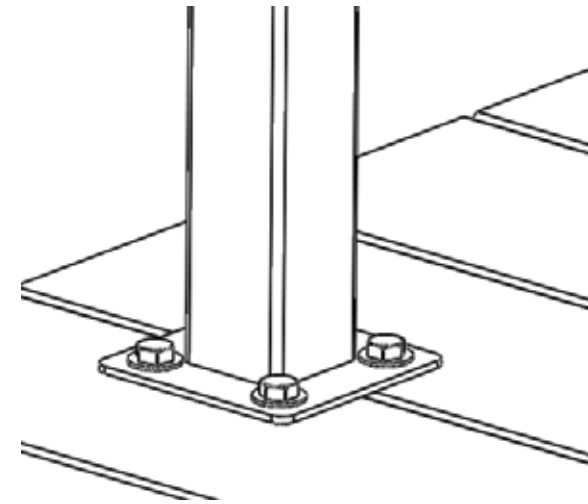
FORTRESSCABLE

MOUNT BRACKETS & PANELS

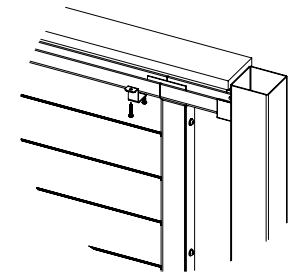
OPTION 1: UNIVERSAL BRACKETS



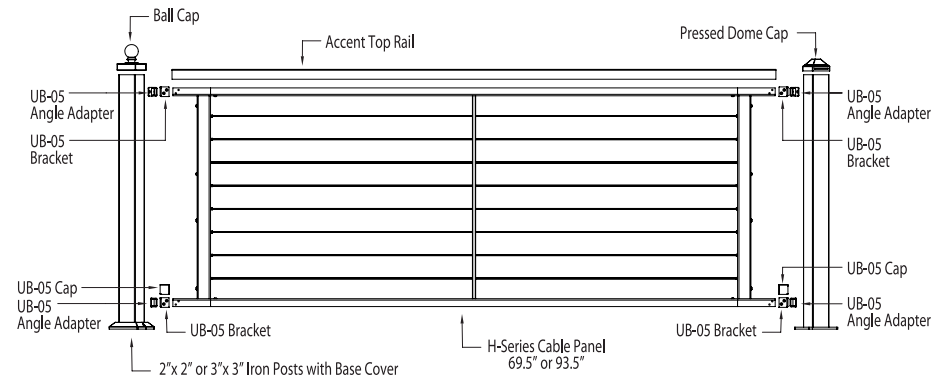
MOUNT POSTS



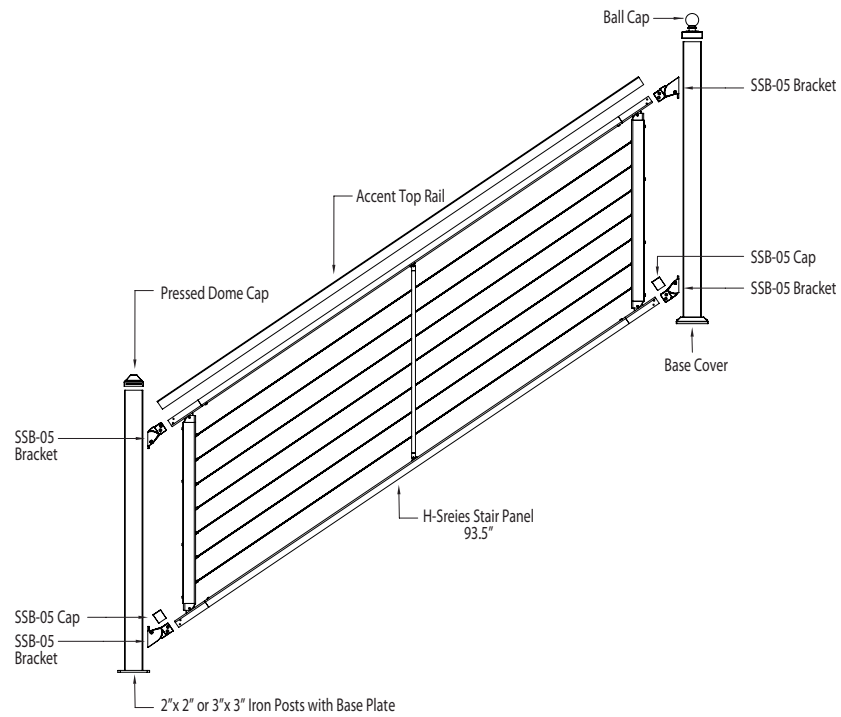
Fortress Posts must always be secured to the deck framing and should never be attached to only the deck boards.



UNIVERSAL BRACKETS: ANGLE/MITER WITH UB-05 ANGLE ADAPTER



SIMPLIFIED STAIR BRACKET: STAIR WITH SSB-05

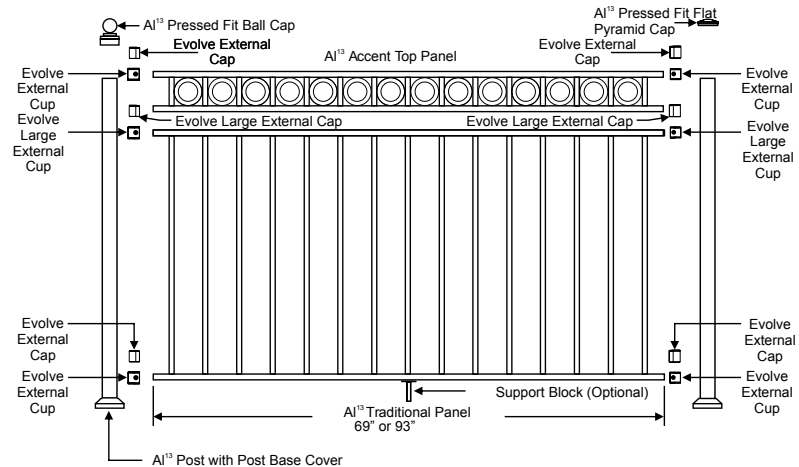
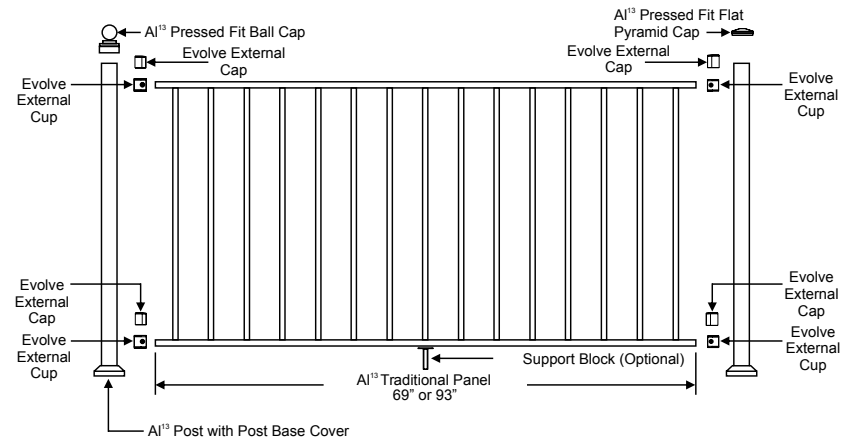
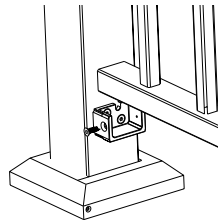




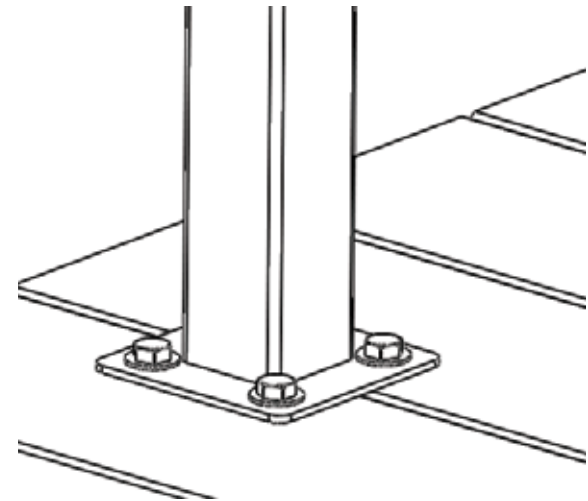
ALUMINUM RAILING

MOUNT BRACKETS & PANELS

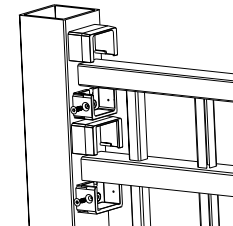
OPTION 1: EVOLVE EXTERNAL BRACKETS



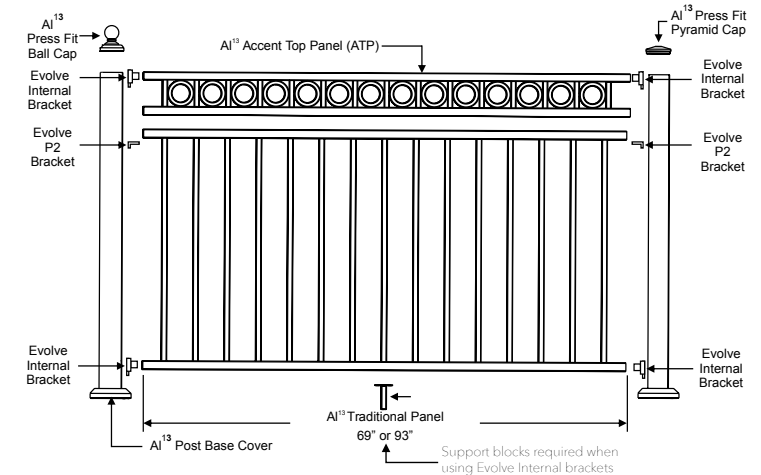
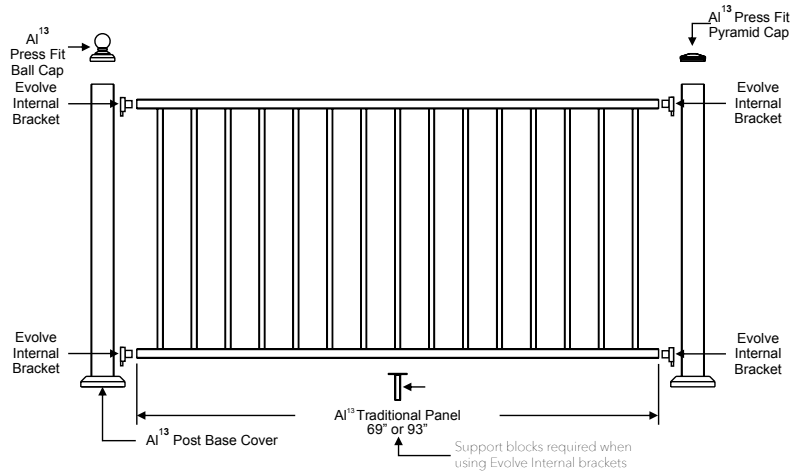
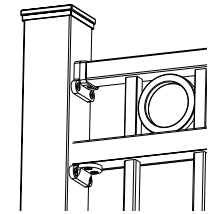
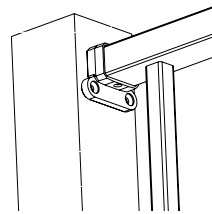
MOUNT POSTS



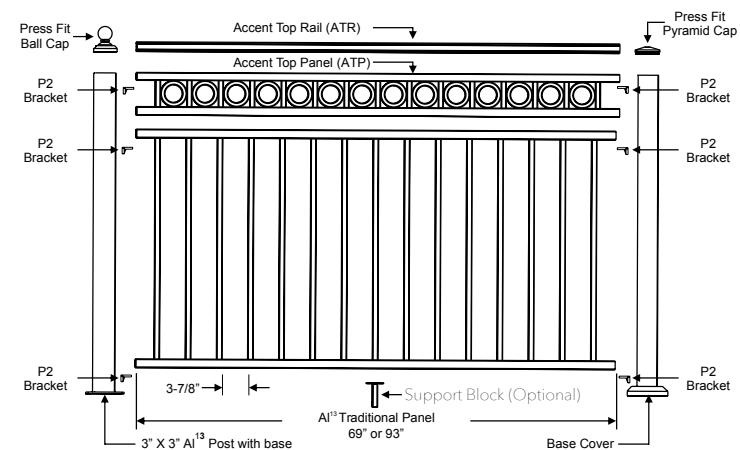
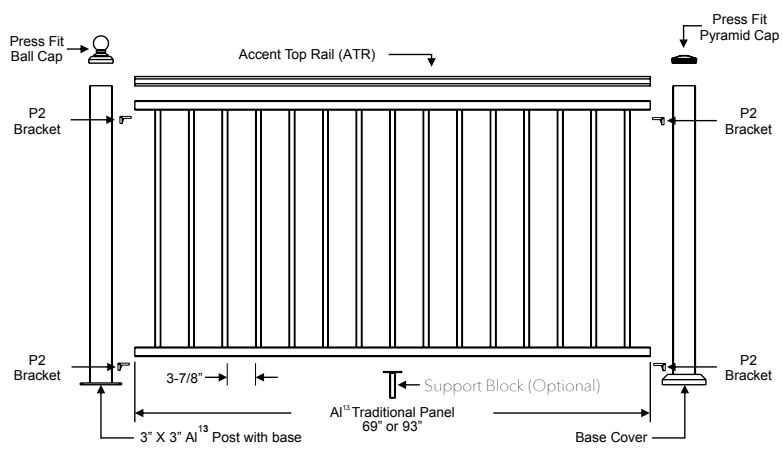
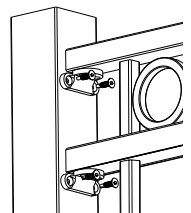
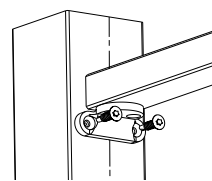
Fortress Posts must always be secured to the deck framing and should never be attached to the deck boards only.



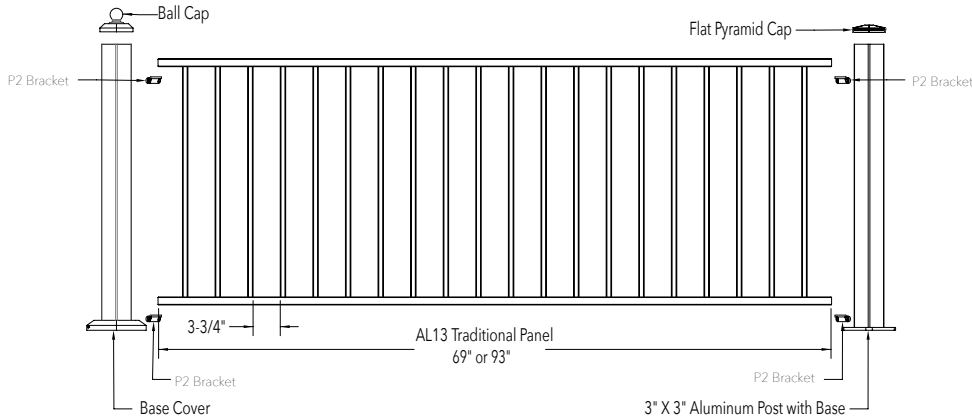
OPTION 2: EVOLVE INTERNAL BRACKETS



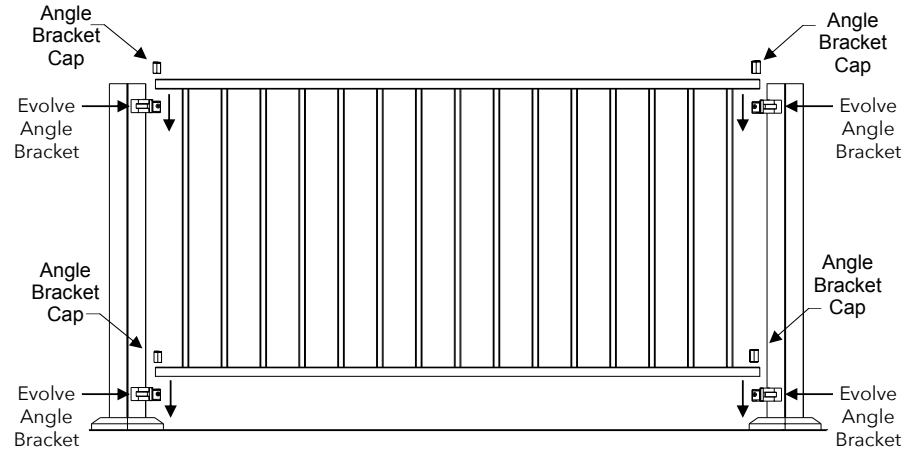
OPTION 3: EVOLVE P2 BRACKETS



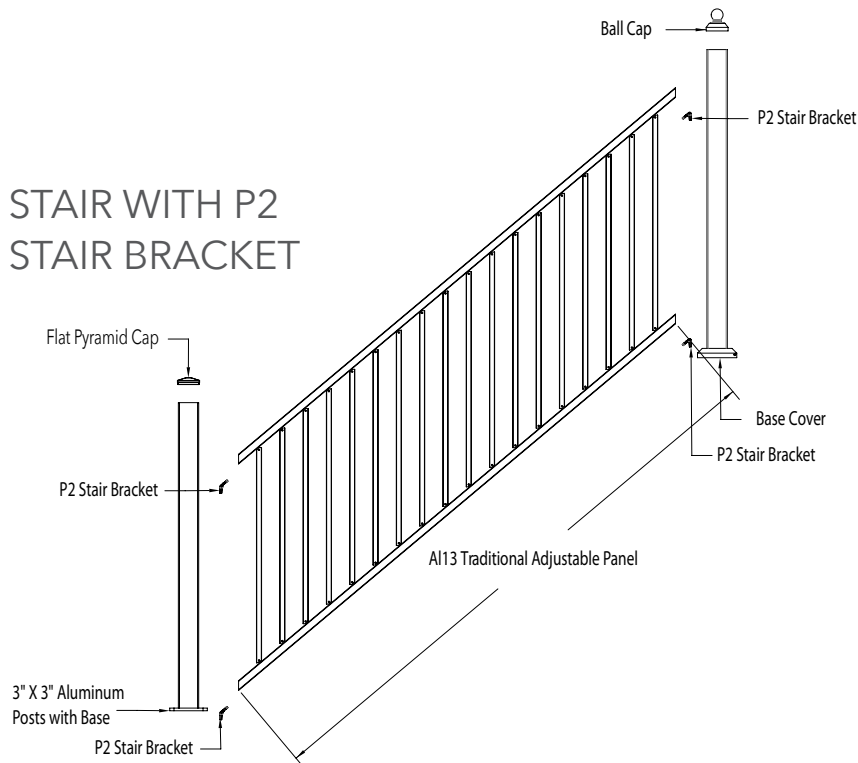
EVOLVE P2 BRACKETS: ANGLE/MITER



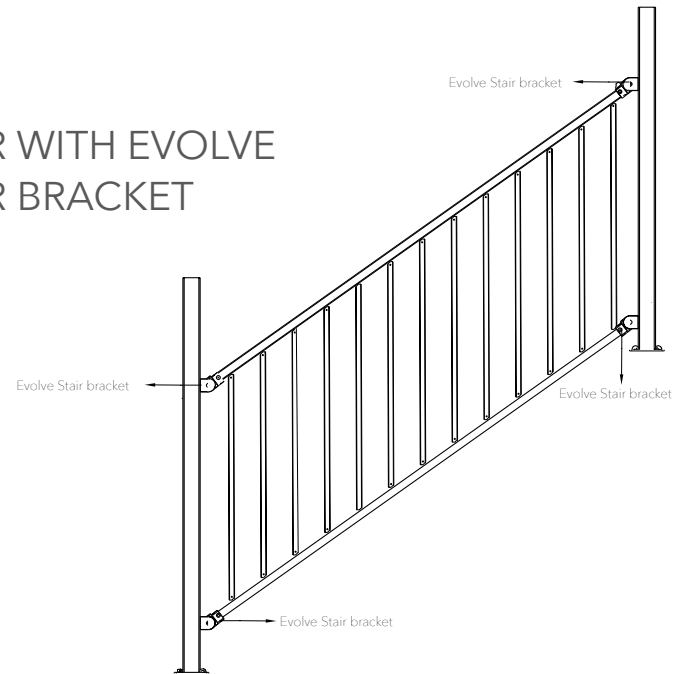
ANGLE WITH EVOLVE ANGLE BRACKET



STAIR WITH P2 STAIR BRACKET



STAIR WITH EVOLVE STAIR BRACKET

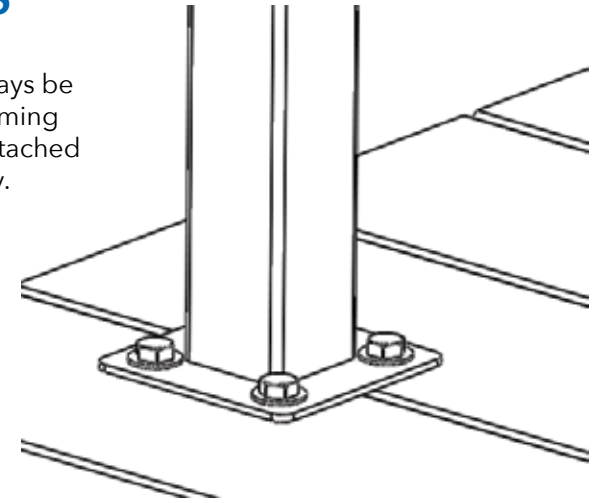




ALUMINUM RAILING

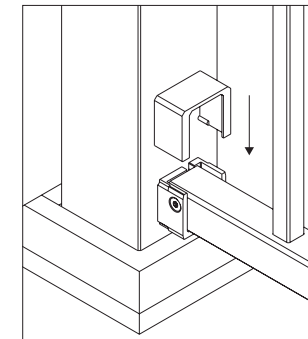
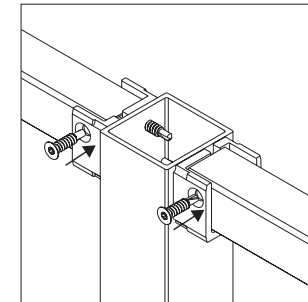
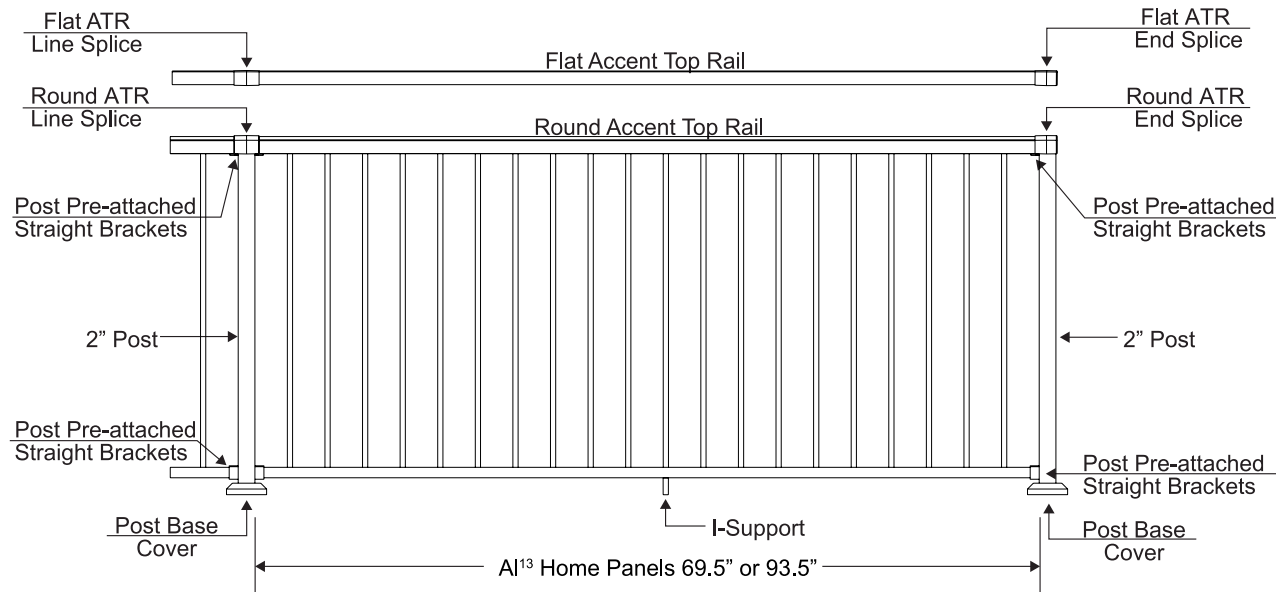
MOUNT POSTS

Fortress Posts must always be secured to the deck framing and should never be attached to the deck boards only.



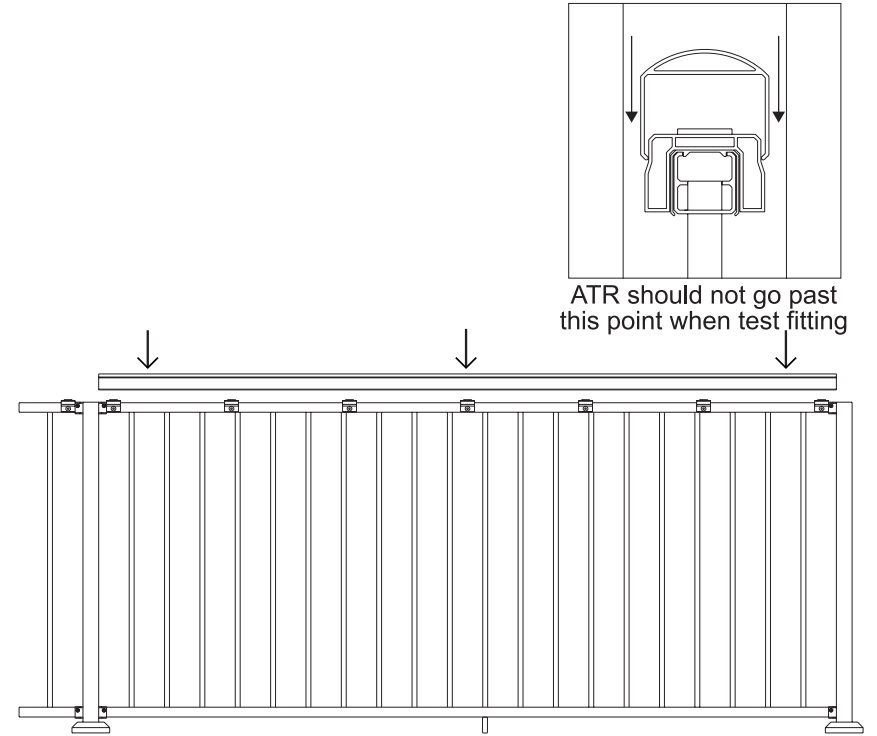
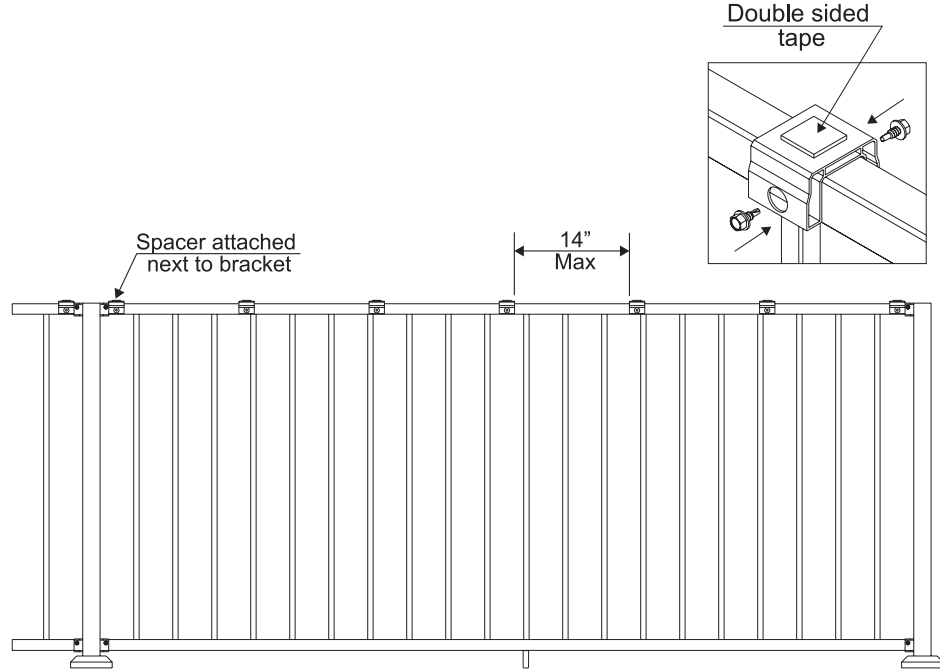
MOUNT BRACKETS & PANELS

OPTION 1: OVER THE POST



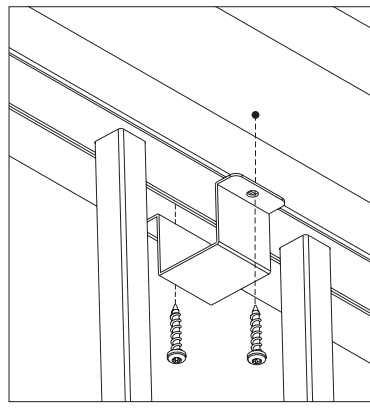
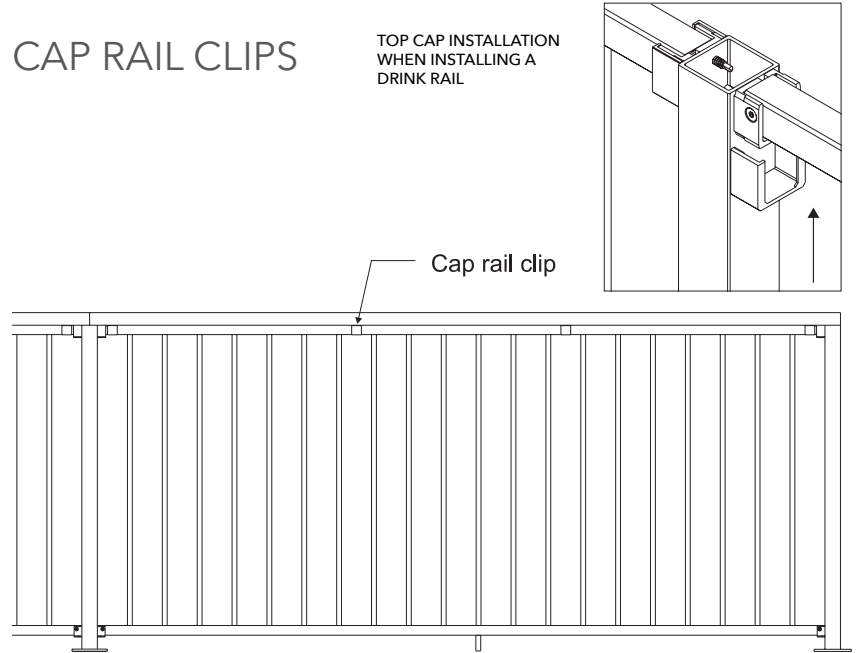
Bracket Cover

ACCENT TOP RAIL (ATR) SPACERS

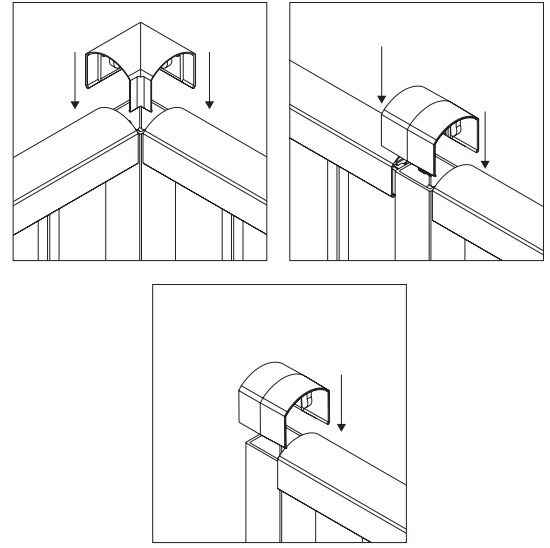


CAP RAIL CLIPS

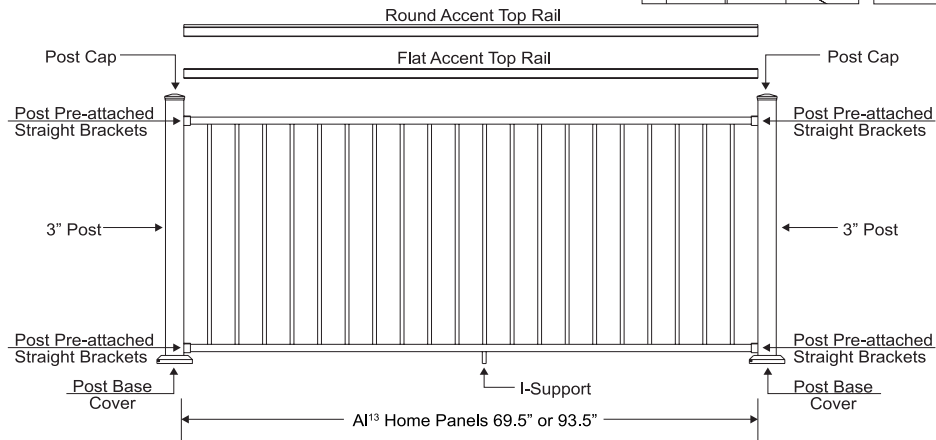
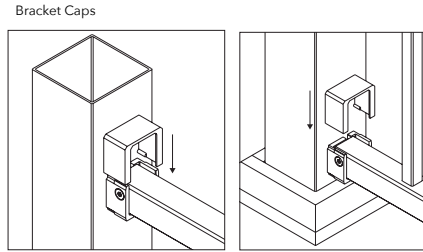
TOP CAP INSTALLATION WHEN INSTALLING A DRINK RAIL



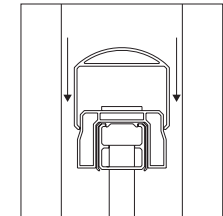
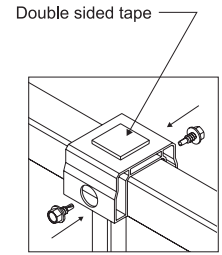
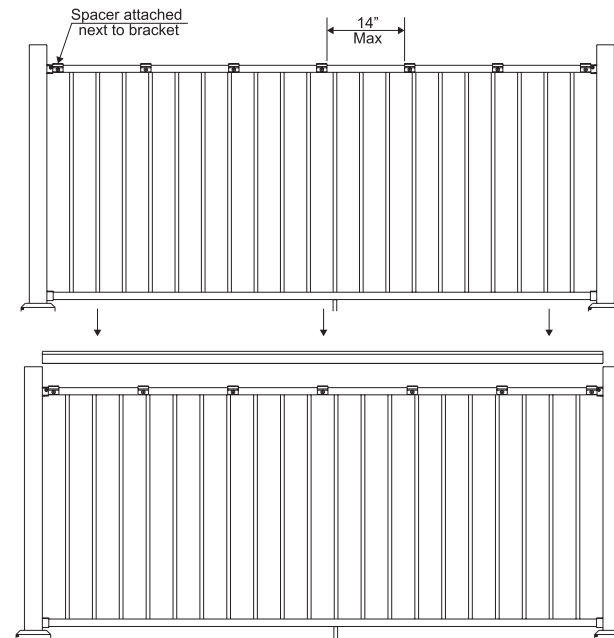
Splices



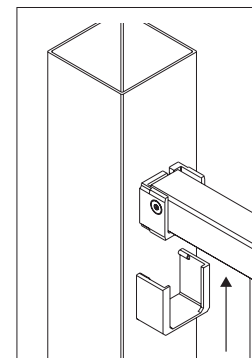
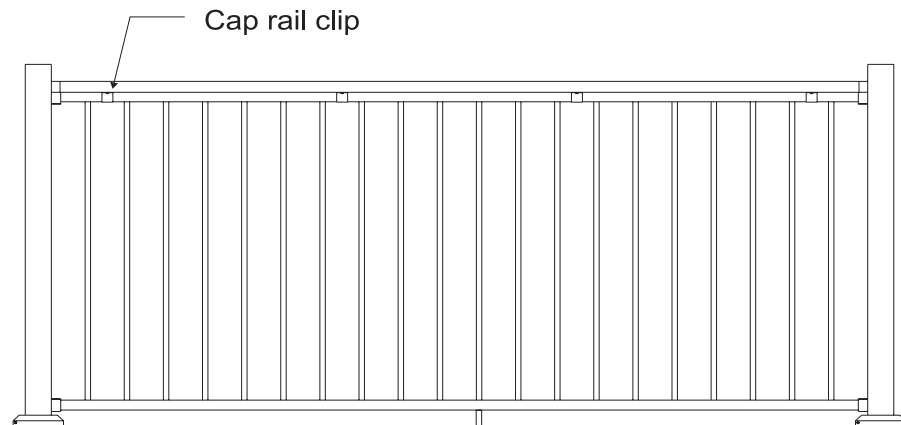
OPTION 2: PROUD POST



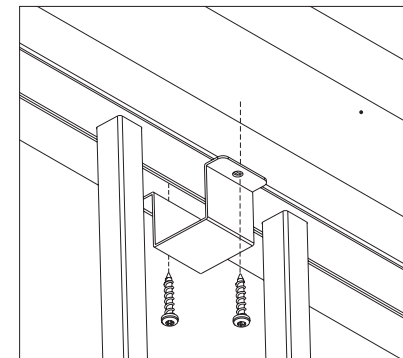
ATR SPACERS



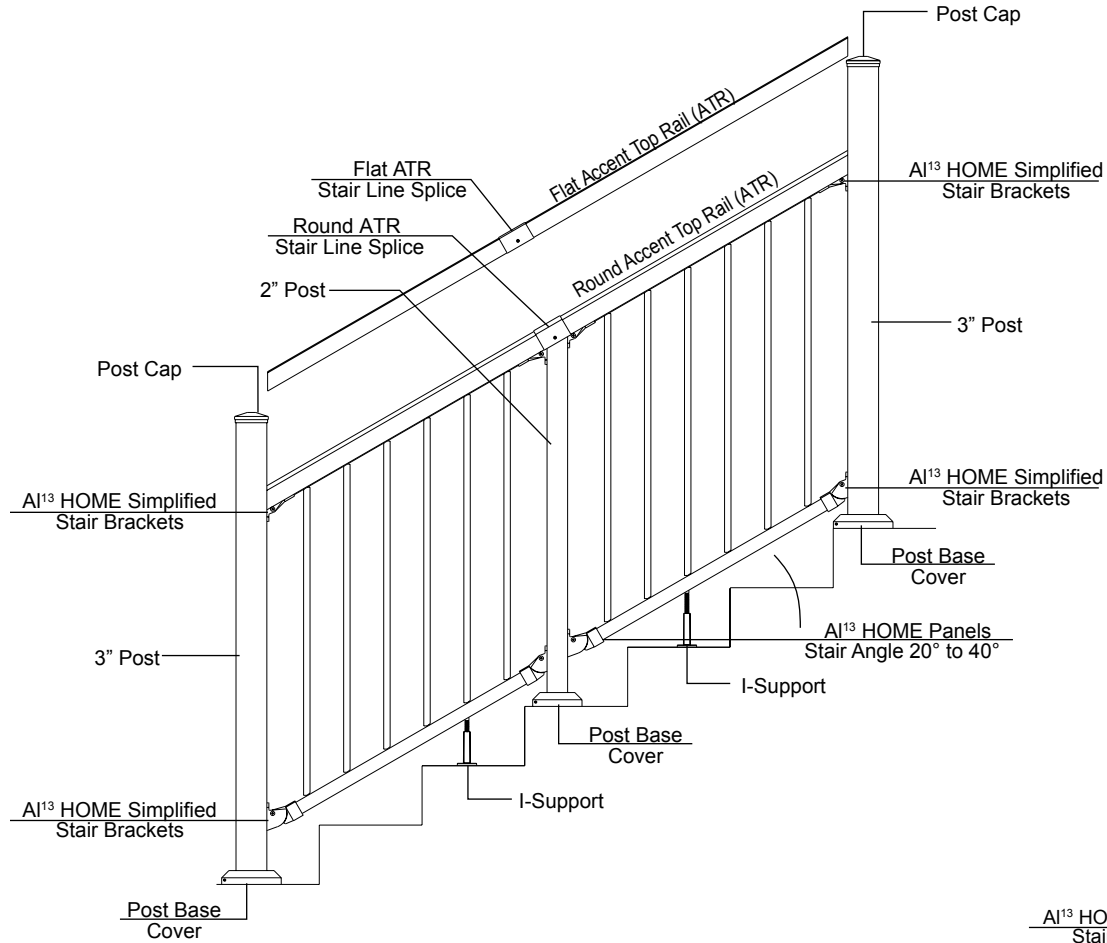
CAP RAIL CLIPS



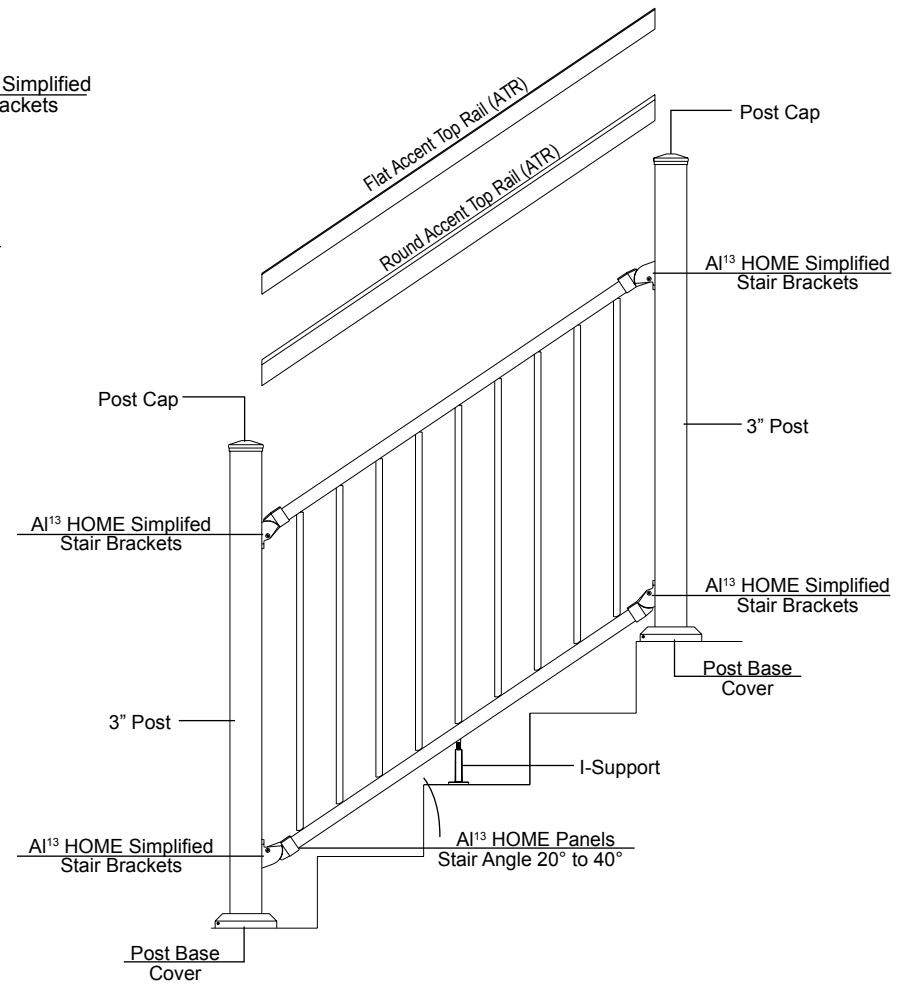
Top cap installation when installing a drink rail



STAIR BRACKETS - OVER THE POST



STAIR BRACKETS - PROUD POST

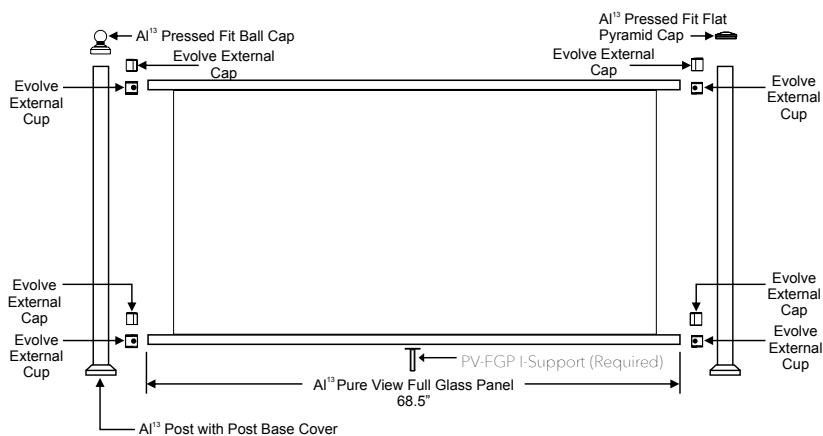




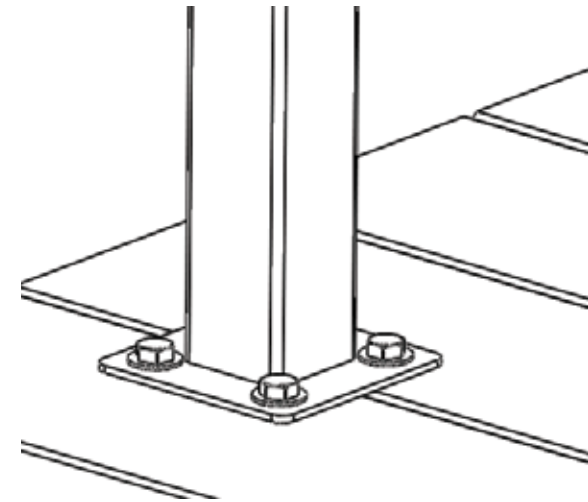
FULL GLASS PANEL & GLASS BALUSTER

MOUNT BRACKETS & PANELS

OPTION 1: FULL GLASS PANEL

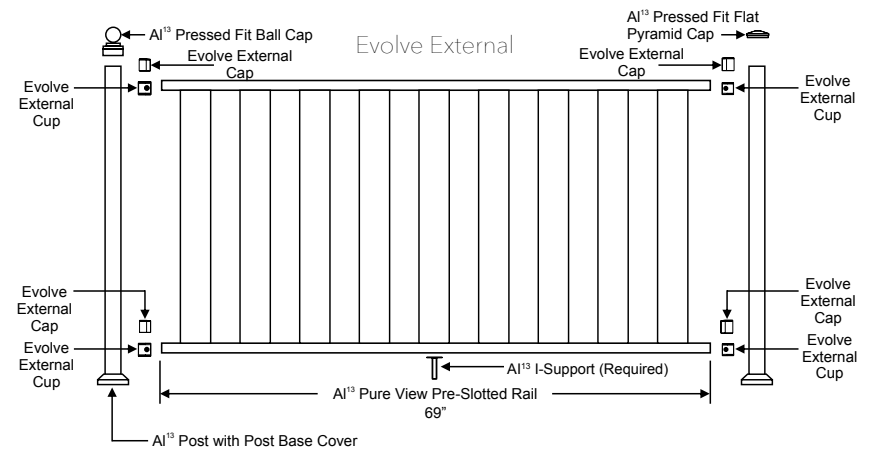


MOUNT POSTS

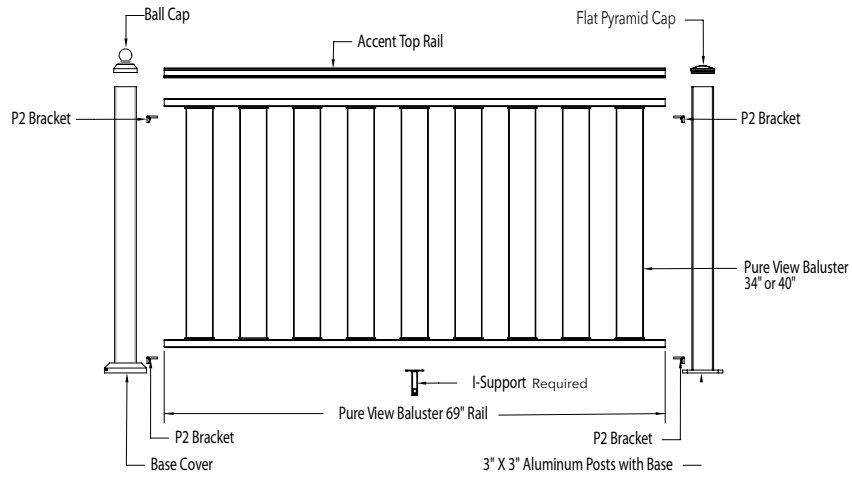


Fortress Posts must always be secured to the deck framing and should never be attached to the deck boards only.

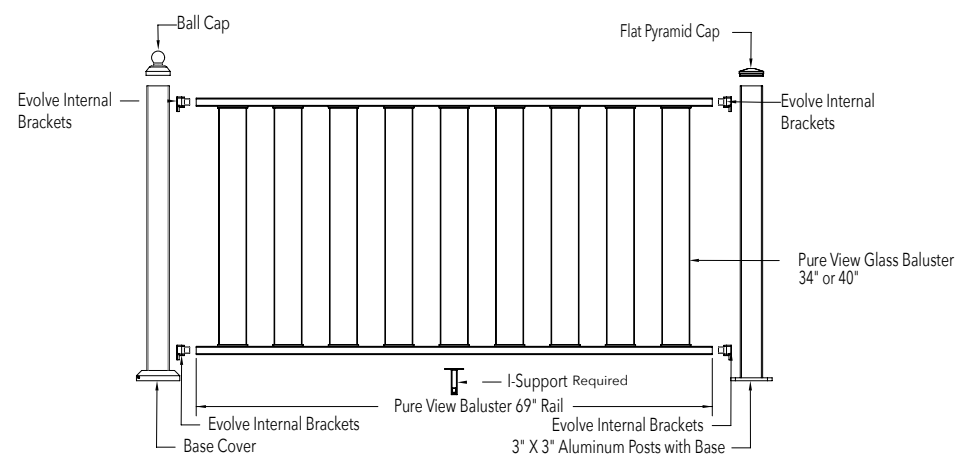
OPTION 2: GLASS BALUSTER ALUMINUM TOP AND BOTTOM PRE-SLOTTED RAILS



Evolve P2 Bracket

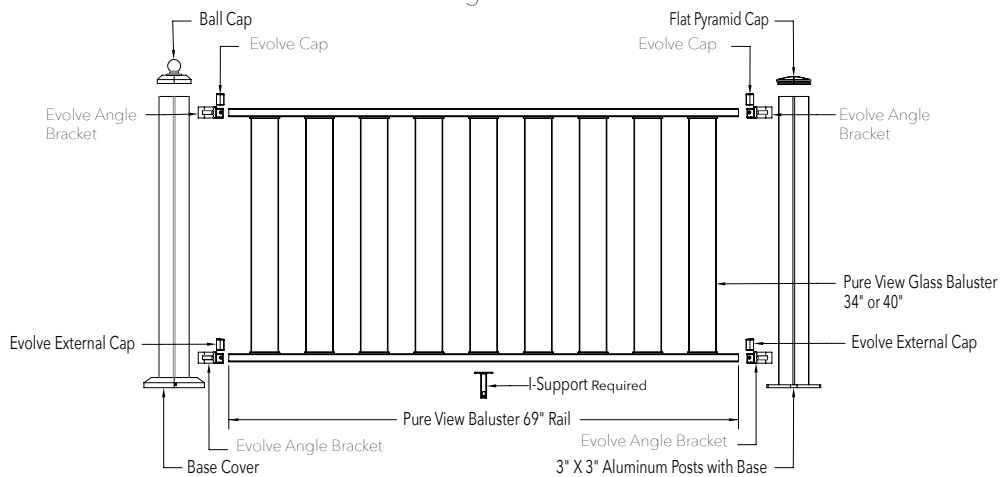


Evolve Internal Bracket

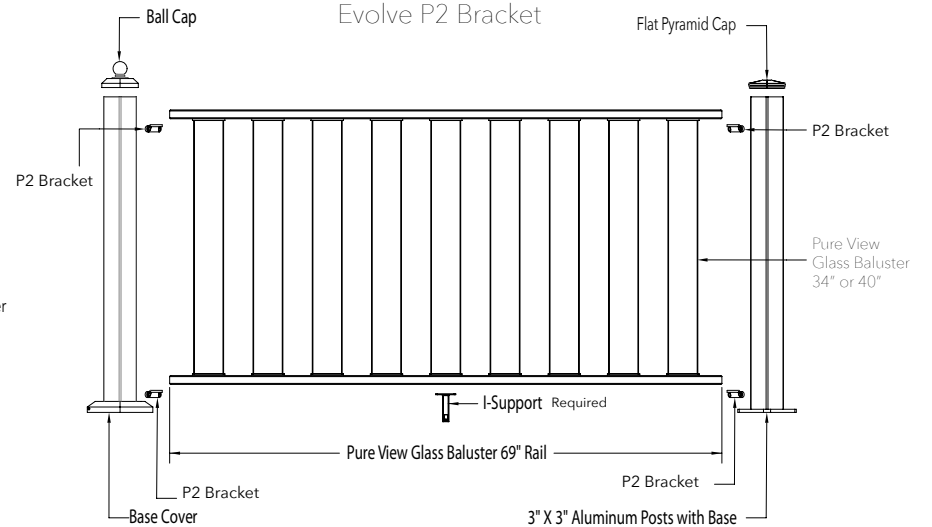


ANGLE/MITER WITH EVOLVE BRACKETS

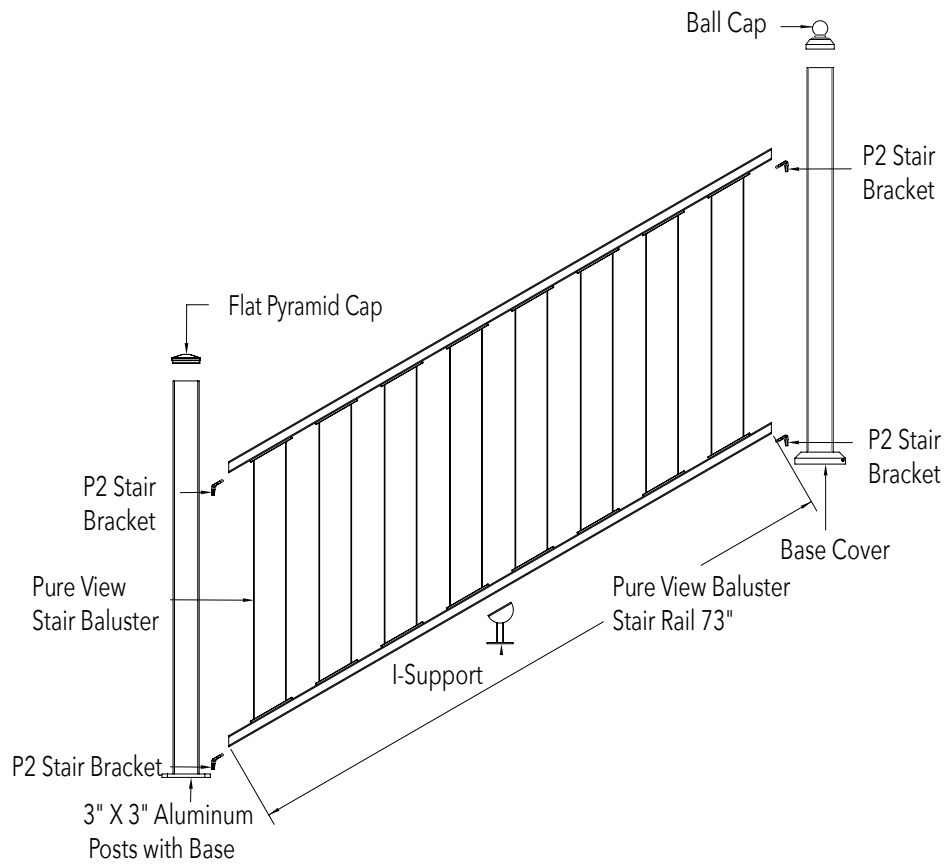
Evolve Angle Bracket



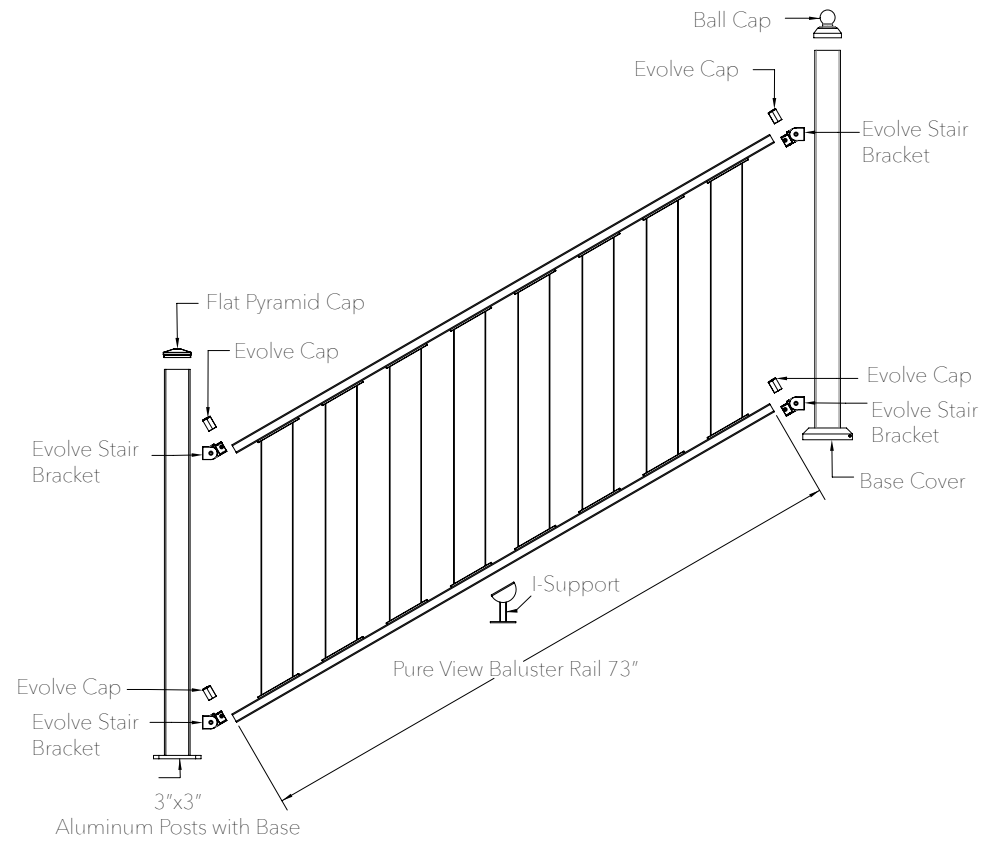
Evolve P2 Bracket



STAIR WITH EVOLVE P2 STAIR BRACKETS

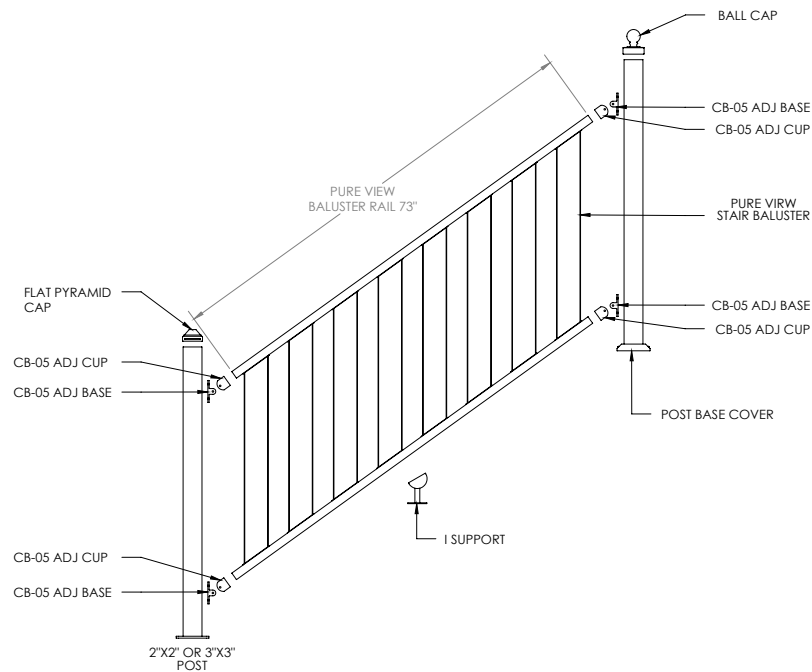
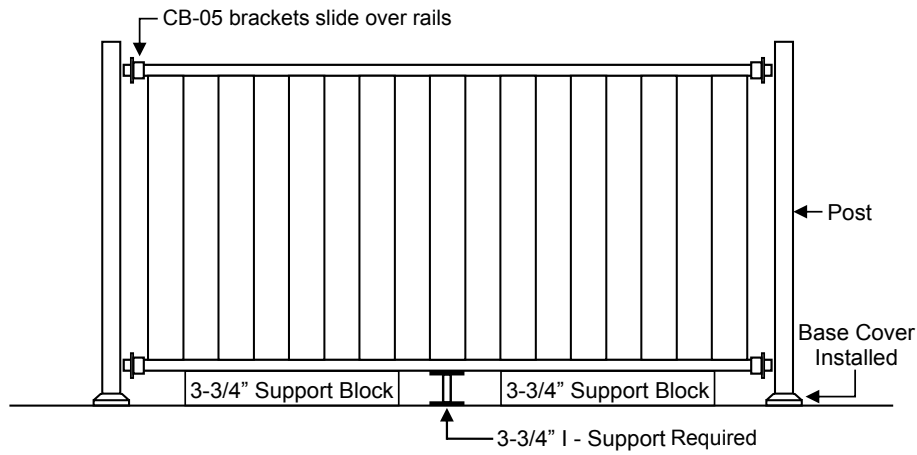


STAIR WITH EVOLVE STAIR BRACKETS

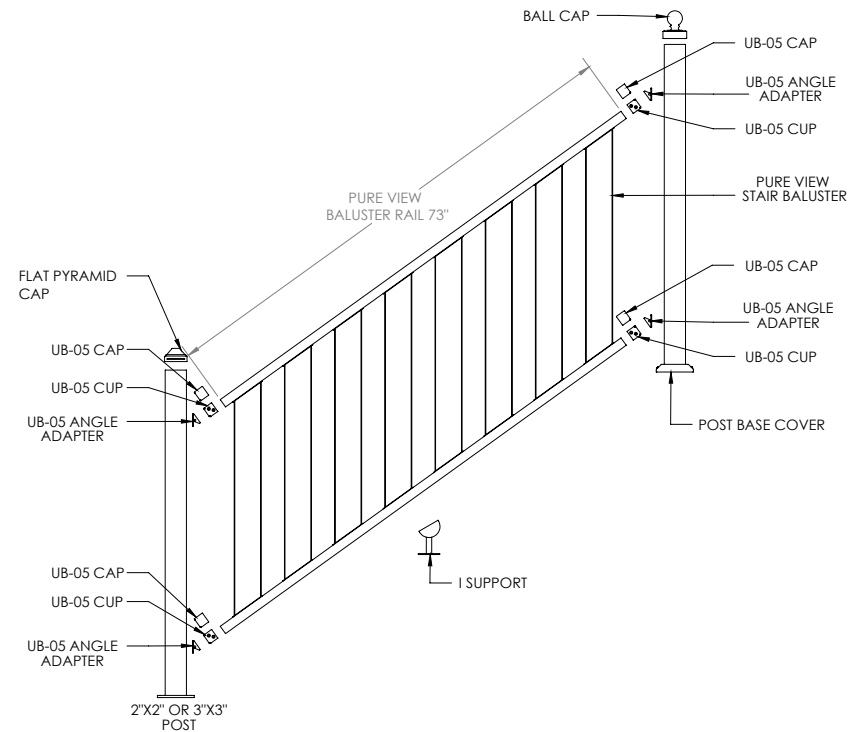
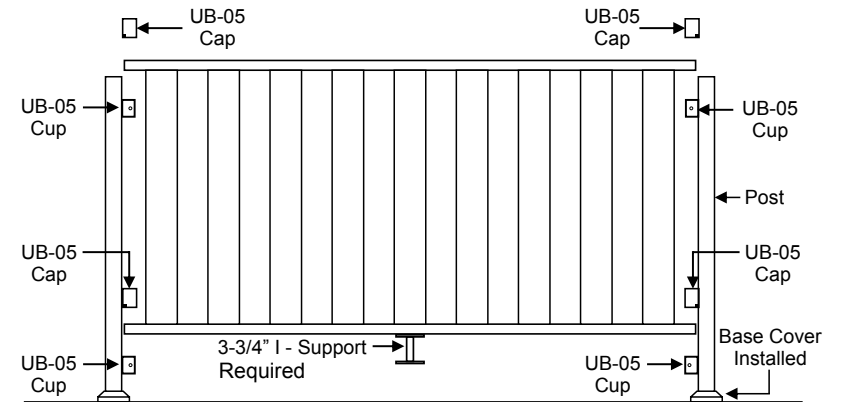


OPTION 3: GLASS BALUSTER PANELS STEEL TOP AND BOTTOM PRE-SLOTTED RAILS

Collar Brackets



Universal Brackets



FORTRESS RAILING CODE COMPLIANCE SIMPLIFIED

Fe²⁶ STEEL RAILING

TYPE	IRC	IBC	NBCC	OBC	ABC	BCBC
Fe ²⁶ Traditional Panels (up to 8' panels) with Fe ²⁶ Universal Brackets (04) and Fe ²⁶ Posts	•		•	•		
Fe ²⁶ Traditional Panels (up to 8' panels) with Fe ²⁶ Universal Brackets (04) and Wood Posts	•		•	•		
Fe ²⁶ Traditional Panels (up to 8' panels) with Fe ²⁶ Collar Brackets (04) and Fe ²⁶ Posts	•		•	•		
Fe ²⁶ Traditional Panels (up to 8' panels) with Fe ²⁶ Collar Brackets (04) and Wood Posts	•		•	•		
Fe ²⁶ Posts (2" and 3") Stand-Alone Posts Test (200 lb force)	•		•	•		

Fe²⁶ PLUS COMMERCIAL RAILING

TYPE	IRC	IBC	NBCC	OBC	ABC	BCBC
Fe ²⁶ Traditional Panels with Fe ²⁶ Collar Brackets and Fe ²⁶ Posts 3"	•	•	•	•		
Fe ²⁶ Traditional Panels with Fe ²⁶ Collar Brackets and Wood Posts	•	•	•	•		
Fe ²⁶ Posts 3" Stand-Alone Posts Test	•	•	•	•		

FORTRESSCABLE V-SERIES RAILING

TYPE	IRC	IBC	NBCC	OBC	ABC	BCBC
Vertical Cable Railing Panels with Fe ²⁶ Universal Bracket (05) and Fe ²⁶ Post 3"	•	•	•		•	•
Vertical Cable Railing Panels with Fe ²⁶ Universal Bracket (05) and Wood Post	•	•	•		•	•
Fe ²⁶ Posts 3" Stand-Alone Posts Test	•	•	•		•	•

FORTRESSCABLE H-SERIES RAILING

TYPE	IRC	IBC
Horizontal Cable Railing Panels with Fe ²⁶ Universal Bracket (05) and Fe ²⁶ Post 3"	•	•
Horizontal Cable Railing Panels with Fe ²⁶ Universal Bracket (05) and Wood Post	•	•
Fe ²⁶ Posts 3" Stand-Alone Posts Test	•	•

Al¹³ ALUMINUM RAILING

TYPE	IRC	IBC	NBCC	OBC	ABC	BCBC
Al ¹³ Traditional Railing With Evolve Internal Bracket and Al ¹³ Posts	•		•	•	•	•
Al ¹³ Traditional Railing With Evolve Internal Bracket and Wood Posts	•		•	•	•	•
Al ¹³ Traditional Railing With Evolve External Bracket and Al ¹³ Posts	•	•	•	•	•	•
Al ¹³ Traditional Railing With Evolve External Bracket and Wood Posts	•	•	•	•	•	•
Al ¹³ Traditional Railing With Evolve P2 Bracket and Al ¹³ Posts	•	•	•	•	•	•
Al ¹³ Traditional Railing With Evolve P2 Bracket and Wood Posts	•	•	•	•	•	•
Al ¹³ Aluminum Post Stand-Alone Post Tests (Limited to 5' 5" on center spacing for IBC)	•	•*	•	•	•	•

Al¹³ HOME ALUMINUM RAILING


TYPE	IRC	IBC	NBCC	OBC	ABC	BCBC
Al ¹³ Home Railing With Straight Bracket and Al ¹³ Home Posts	•	•	•	•	•	•

PURE VIEW® GLASS RAILING

TYPE	IRC	IBC	NBCC	OBC	ABC	BCBC
Pure View Glass Baluster Railing Iron Pre-Slotted Rails with Fe ²⁶ Collar Brackets and Fe ²⁶ Posts	•		•	•		
Pure View Glass Baluster Railing Iron Pre-Slotted Rails with Fe ²⁶ Collar Brackets and Wood Posts	•		•	•		
Pure View Glass Baluster Railing Aluminum Pre-Slotted Rails with Evolve External Brackets and Al ¹³ Posts	•		•	•		
Pure View Glass Baluster Railing Aluminum Pre-Slotted Rails with Evolve External Brackets and Wood Posts	•		•	•		
Pure View Glass Baluster Railing Iron Pre-Slotted Rails with P2 Brackets and Al ¹³ Posts	•		•	•		
Pure View Full Glass Panel Railing with Evolve External Bracket and Al ¹³ Posts	•		•	•	•	•
Pure View Full Glass Panel Railing with Evolve External Bracket and Wood Posts	•		•	•	•	•

FORTRESS RAILING PRODUCT GRID

SIMPLIFIED

 RAILING PANEL SYSTEM												Posts								Brackets				
	Heights				Lengths			Color Options			Warranty	Code Tested	39.5" high		45.5" high		49" high		55" high		Universal Brackets			
	26"	28"	34"	40"	6' (69.5")	8' (93.5")	10* (117.5")	GBLK	ABZ	BKSND	15 yr		2"	3"	2"	3"	2"	3"	2"	3"	UB-04 (Level)	UB-04 ANG (Stair/Angle)	UB-05 (Level)	UB-05 (Stair/ Angle)
Fe²⁶ IRON RAILING																								
Traditional		•	•	•	•	•	•	•	•	•	•	•	•	•	•	•	•	•	•	•	•	• (Angle)	•**	•** (Angle)
Traditional Adjustable (Stair)		•	•	•	•			•	•	•	•	•	•	•	•	•	•	•	•	•	•	• (Stair)		
Vienna			•	•		•		•	•		•		•	•	•	•	•	•	•	•				
Ornamental			•	•		•		•			•		•	•	•	•	•	•	•	•				
FORTRESSCABLE V-SERIES																								
V-Series			•	•	•	•				•	•	•	•	•	•	•	•	•	•				•	
V-Series Adjustable (Stair)			•	•		•				•	•		•	•	•	•	•	•	•			•	•	
FORTRESSCABLE H-SERIES																								
H-Series			•	•	•	•				•	•	•	•	•	•	•	•	•	•				•	
H-Series Adjustable (Stair)			•	•		•				•	•		•	•	•	•	•	•	•			•	•	*****
PURE VIEW GLASS RAILING																								
Glass Balusters With Steel Preslotted Rails	•		•	•	•			•	•	•	•	•	•	•	•	•	•	•	•				•	
Glass Balusters With Steel Preslotted Rails (Stair)	•		•	•	•			•	•	•	•	•	•	•	•	•	•	•	•				•	•

*10' panel available only in 34" height

** only use when installing panel with ATP

*** Must use when using Al¹³ ATR

**** Canadian Requirements

*****SSB-05 for Stairs


Brackets										Personalize												
Collar Brackets					Simplified Stair Bracket		Other Brackets			Panel Accessories						Post Accessories		Gates				
CB-04 (Level)	CBS-04 ADJ (Angle)	CB-04 ADJ (Stair)	CB-05 (Level)	CBS-05 ADJ (Angle)	CB-05 ADJ (Stair)	SSB-04 (Stair)	SSB-05 (Stair)	Fascia	Patio	Ring Top	Circle Top	3 Rail Top	Accent Top Rail	Cap Rail Clip	Knuckles	Ornaments	Caps w/o Lighting Capability	Caps with Lighting Capability	Pre welded Gates	Gate Uprights (make a gate)		
			•••	•••				•	•	•	•	•	•	•	•		Pressed Dome (2" & 3") Ball Caps (GBLK Only) (2" & 3")	Fortress Accents Flat Pyramid Caps (2" & 3")	•	•		
		•						•	•				•	•	•							
			•••					•	•				•	•								•
			•••	•••				•	•	•	•	•	•	•	•	•						•
							•	•					•	•			Pressed Dome (2" & 3")	Fortress Accents Flat Pyramid Caps (2" & 3")				
							•	•					•	•								
								•					•	•								
							•	•					•	•								
			•	•									•				Pressed Dome (2" & 3") Ball Caps (GBLK Only) (2" & 3")	Fortress Accents Flat Pyramid Caps (2" & 3")				
					•								•									

(must use 05 brackets to attach to top rail)

(UB Only)

FORTRESS RAILING PRODUCT GRID

SIMPLIFIED

 RAILING PANEL SYSTEM											Posts		Brackets							
	Heights			Lengths			Color Options			Warranty	Code Tested	39.5" high	45.5" high	Evolve Brackets						
	26"	34"	40"	6' (68.5")	6' (69")	8' Level (93.5") 8' Stair (90.5")	GBLK	WHT	BKSND	LL		3"	External	External LG	Internal	Angle	Stair	P2 (Level or Angle)	P2 Stair	
AI¹³ ALUMINUM RAILING																				
Traditional		•	•		•	•	•	•	•	•	•	•	•	•	•	•	•	•	•	
Traditional Adjustable (Stair)		•	•			•	•	•	•	•	•	•	•	•	•	•	•	•	•	
PURE VIEW GLASS RAILING																				
Full Glass Panels				•			•	•	•	•	•	•	•			•				
Glass Balusters With Aluminum Pre-slotted Rails	•		•		•		•	•	•	•	•	•	•		•	•		•	•	
Glass Balusters With Aluminum Preslotted Rails (Stair)	•		•		•		•	•	•	•	•	•	•				•		•	

*10' panel available only in 34" height ** only use when installing panel with ATP *** Must use when using AI¹³ ATR **** Canadian Requirements

AI¹³ HOME ALUMINUM RAILING	Panels														Posts							
	Heights				Lengths						Color Options				Warranty	Code Tested	36" High	42" High	51" High	39.5" High	45.5" High	51" High
	26"	32.5"	34"	40"	6' Stair (72")	6' (68.5")	6' (69")	6' (69.5")	8' Stair (90.5")	8' (93.5")	GBLK	WHT	MTWHT	BKSND	LL		2"			3"		
Traditional		•		•				•		•			•	•	•	•	•	•	•	•	•	•
Traditional Adjustable (Stair)		•		•	•								•	•	•	•			•			•

FORTRESSACCENTS							FORTRESSACCENTS						
Flat Pyramid Caps	Sizes	Fits Post Dimensions	Color Options				Post Base Covers	Sizes	Fits Post Dimensions	Color Options			
			GBLK	ABZ	WHT	BKSND				GBLK	ABZ	WHT	BKSND
99	2"	2" x 2" Post (Hollow) max wall thickness 1/8"		•	•	•	3.5" 4" 5" 6"	3 5/8" Solid Posts	•	•	•	•	
	3"	3" x 3" Post (Hollow) max wall thickness 3/16"	•	•	•	•		4 1/8" Solid Posts	•	•	•	•	
	3.5"	3 5/8" Solid Posts	•	•	•	•		4 1/2" Posts with adapter 5" Posts without adapter	•	•	•	•	
	4"	4 1/8" Solid Posts	•	•	•	•		5 5/8" Post with adapter 6 1/8" Posts without adapter	•	•	•	•	
	5"	4 1/2" Post with adapter 5" Posts without adapter	•	•	•	•							
	6"	5 5/8" Post with adapter 6 1/8" Posts without adapter	•	•	•	•							

Personalize								
Panel Accessories					Post Accessories		Gates	
Ring Top	Circle Top	3 Rail Top	Accent Top Rail	Cap Rail Clip	Caps w/o Lighting Capability	Caps with Lighting Capability	Pre-welded Gates	Gate Uprights (Make a Gate)
•	•	•	•	•	Flat Pyramid Caps & Ball Caps (3")	FortressAccents Pyramid Caps	•	•
			•	•				
			•	•	Flat Pyramid Caps & Ball Caps (3")	FortressAccents Pyramid Caps		•
			•	•				

Brackets							Brackets			Personalize							
Evolve Brackets							A113 HOME Brackets			Panel Accessories							
External	External LG	Internal	Angle	Stair	P2 (Level or Angle)	P2 Stair	Straight	Stair	Angle	Ring Top	Circle Top	3 Rail Top	Accent Top Rail	Flat ATR	Round ATR	Cap Rail Clip	OTP Splices
							•		•					•	•	•	•
								•						•	•		•

FORTRESSACCENTS		
	Type of Light	Wattage of Light
LED Lighting	Universal Light	0.25
	Surface Mount Light	0.25
	Vertical Post Light	0.25
	Glow Ring	1.5
	LED Cap Light Kit	2
	Cap Light Kit Module	0.5

BUILDING CODE COMPLIANCE & TESTING

Fortress Railing Products consistently exceeds current code performance standards and it is within our core values to do so. Our products have undergone rigorous testing by a third party delivering a physically tested system that withstands established load requirements with its entire system. The majority of standard shop welded systems or kits are not capable of meeting this criteria and can be a liability to the builder and owner.



Here are the building codes our product managers use to design all our products.

- **ICC (International Code Council)**
 - ICC-EST™ AC273 Acceptance Criteria for Handrails and Guards
- IBC (International Building Code)
- IRC (International Residential Code)
- NBCC (National Building Code of Canada)
- OBC (Ontario Building Code)
- BCBC (Building Code of British Columbia)
- ABC (Alberta Building Code)

3RD PARTY TESTING INTERTEK

CODE COMPLIANCE



Intertek

Intertek's ETL mark for building products provide the evidence, technical information, and professional evaluation that a building official relies upon to determine that a product, component, or method complies with international building codes. This means that our products have been:

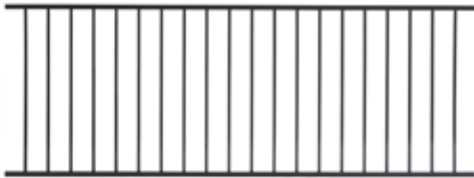
- Tested and evaluated for conformance to building code requirements
- Manufactured under a recognized and approved quality control system
- Conforms on an ongoing basis via unannounced inspections by a qualified independent agency



COMMERCIAL DESIGN



Fe²⁶ PLUS COMMERCIAL RAILING

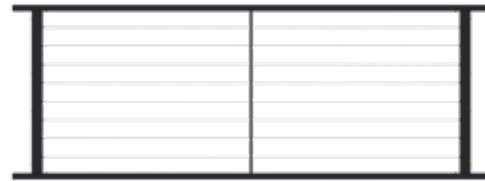


CABLE RAILING | VERTICAL COMMERCIAL RAILING

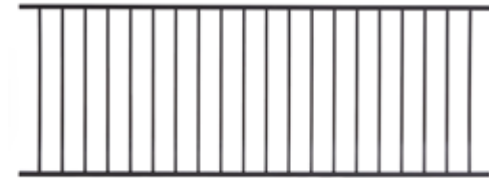
V-Series



H-Series



Al¹³ | ALUMINUM COMMERCIAL RAILING

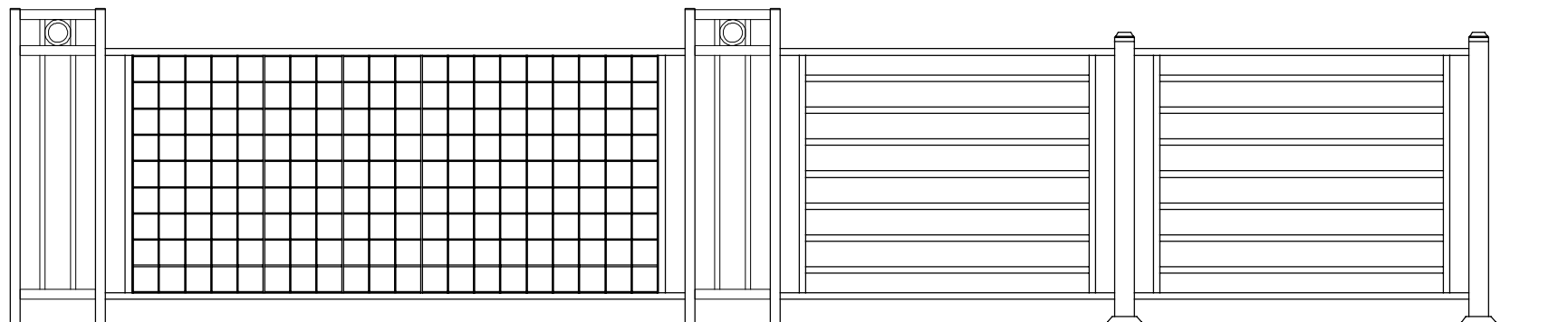


CUSTOM DESIGN

Looking for a railing not available in Fortress Railing's vast offerings? Fortress Railing has the capabilities to design and manufacture a custom railing to meet your specific needs.

What are the benefits of Custom Fabrication with Fortress Railing?

Receive consistent quality you already trust from a nationally recognized industry manufacturing leader. Now you can make your dreams a reality while keeping the benefit of speedy installation using Fortress Railing's easy bracket system. Custom fabricated products are pre-galvanized steel, zirconia rinsed and dual powder coated and carry a 5 year limited manufacturer warranty.



Contact CommercialDesign@FortressRailing.com to find out more.



STRENGTH YOU CAN LEAN ON

There's a reason Fortress Railing Products is one of the strongest brands in the railing industry. From commercial, code-tested products to diverse residential styles, Fortress Railing Products is a category creator, with a complete line of railing solutions to turn your outdoor space into an enjoyable living place.

Find a Fortress Dealer: www.FortressRailing.com

www.FortressRailing.com

58699001 11/19